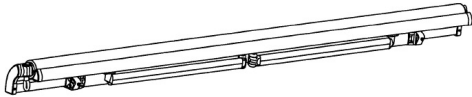
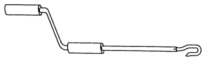


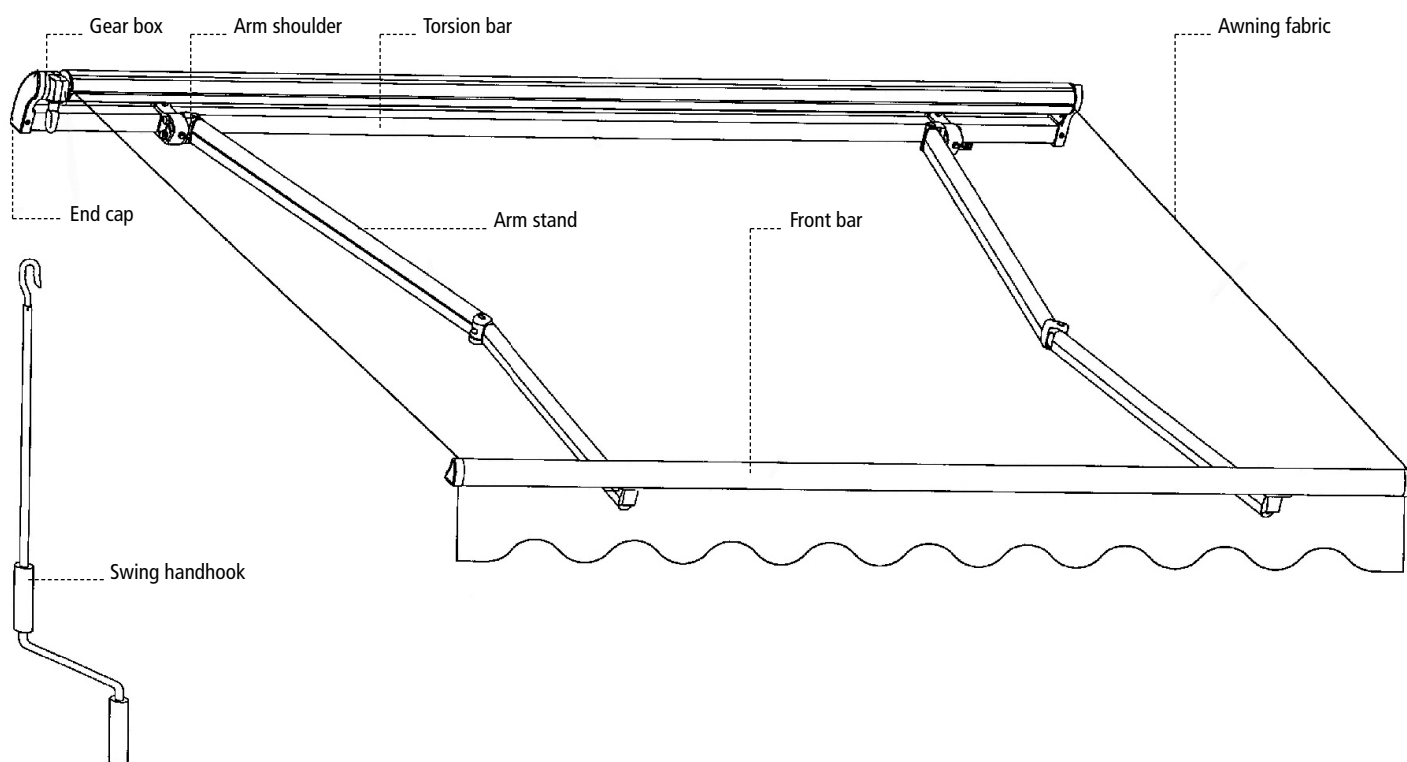


## PARTS

	2.5m x 2m Quantity	3m x 2m Quantity	3.5m x 2.5m Quantity
Awning 	1	1	1
Swing hand hook 	1	1	1
Expansion bolts 	2 pairs	2 pairs	3 pairs
Wall brackets 	2	2	3



Tools are required for installation  
(not supplied):

- Power drill with 12mm drill bit
- Measuring tape
- Mallet
- Adjustable Spanners
- Spirit Level

Please read carefully before use and retain for future reference

## INSTALLATION

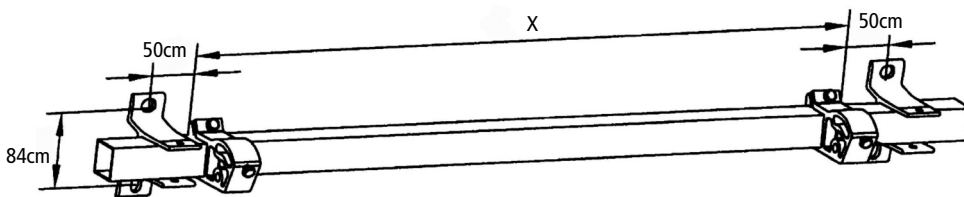
Note: Minimum 2-person installation required.

### Before installation

- Read the assembly instructions carefully before installation.
- Check to ensure all components are present and that there are no damaged parts. Do not install if any parts are missing or damaged.
- Carefully unpack the awning. Remove and store the fixings in a safe place.
- Beware of any unsecured parts, including the folding arms; they may suddenly unfold/extend during installation.
- The installation of the awning requires a significant degree of DIY skill. If you do not feel you have the required skill level to complete the installation, seek assistance from a professional.
- Make sure the wall is strong enough to support the awning and is suitable for the installation of the awning. Installation is undertaken at the owners' risk. When drilling the holes for the wall anchors, make sure the holes are only drilled into brick or concrete, not mortar between bricks.
- The wall fixings supplied are suitable for most solid walls however they are not suitable for attaching the awning to a wooden wall. Please use appropriate fixings available from DIY stores to fix the awning to a wooden wall.

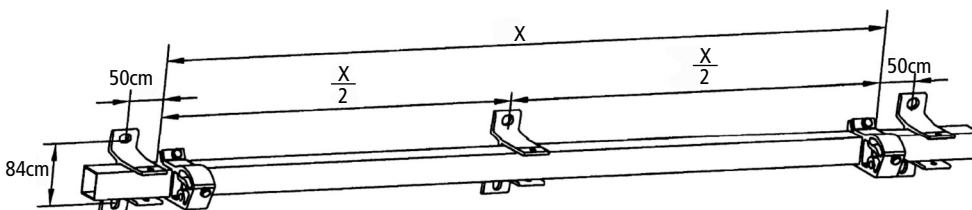
### Calculating the distance between wall bracket

To measure the distance between wall bases when the product length is 2.5m or 3m



(X represents the distance to the outside of the arm brackets, as shown above)

To measure the distance between wall brackets when the product length is 3.5m



## Calculating the height of the wall brackets

As shown in the diagram, an angle of about 80° with the wall when it is open is recommended.

Adjustment figure	Desired Angle
17cm	80°
50cm	60°
71cm	45°

To determine the wall bracket installation height (C) use the formula:

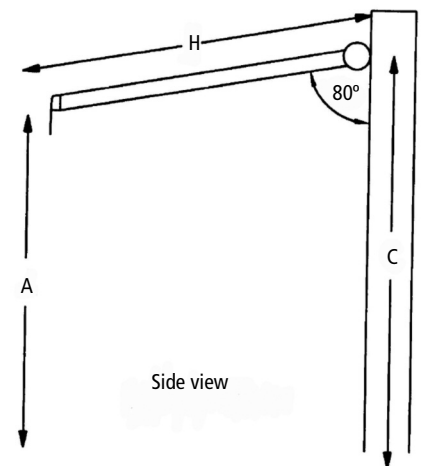
$$C = A + \text{adjustment figure} \times H$$

C is the desired height of wall brackets/awning

A is the preferred height of front profile

Adjustment figure is the extra height to be allowed to get the desired angle when the awning is extended

H is the maximum projection length of the awning (H), obtainable from the specification of the awning. (2.5m, 3m, 3.5m)



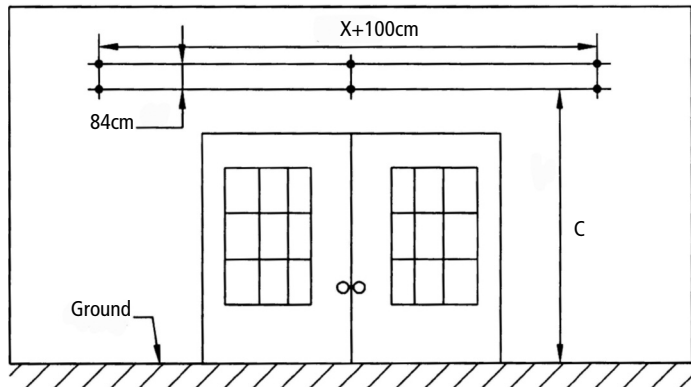
**Note:** Always ensure there is sufficient headroom and that any doors or windows can open fully when the awning is fully extended. 20cm clearance above door frames is recommended. The recommended installation height is between 2.5m - 3.5m.

Always double check your measurements and calculations before beginning the installation.

## Installation of wall brackets

The holes of each set of brackets must be drilled on the same line in horizontal and vertical direction.

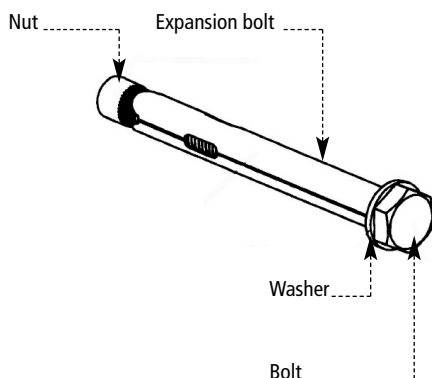
Mark the positions for the wall brackets, using a small drill/piece of chalk etc. mark the position for the holes to be drilled. Use a 12mm diameter masonry drill bit to make the holes. The depth of the hole should be at least 90mm.



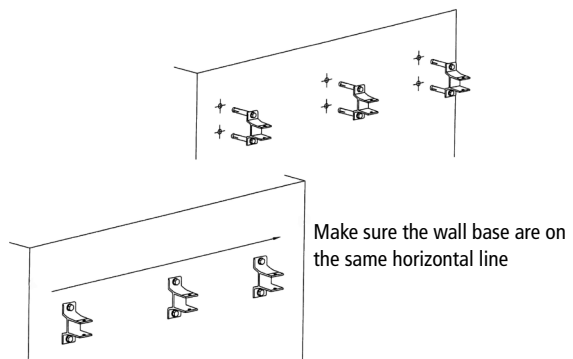
Ensure the drill holes are located in brickwork or concrete. Do not drill into mortar, this will not provide adequate strength to hold the awning.

Note: The correct depth of the holes shall leave a part of the thread on the central bolt extruding from the wall.

The expansion bolts provided in the product are suitable for concrete or brick walls. For installing onto other materials, please ensure the wall will provide sufficient support and use the correct hardware to secure the awning. Note: the nut and washer may have become separated from the bolt during transportation. Please re-attach them before installation.

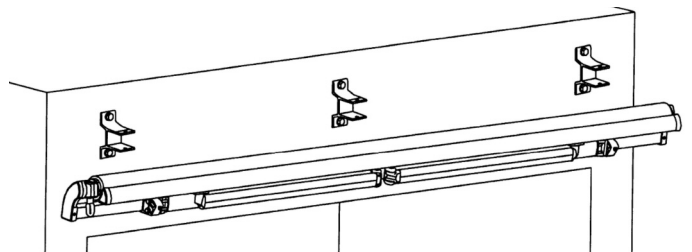


Insert the expansion bolts through the wall bracket, and then plug the expansion bolts into the drilled holes. Check to ensure all wall brackets lie on same horizontal line before ensuring all nuts are securely tightened. Check the brackets are tightly fitted against the wall before attaching the awning. If any movement occurs when attaching the awning, remove the awning from the wall brackets, inspect the wall brackets for movement, and further tighten the nuts if necessary.



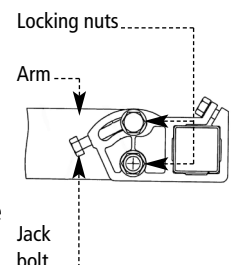
## Fitting the awning to the wall brackets

Both persons installing the awning will require a ladder to get to a comfortable height to assist in fitting the awning to the wall brackets. Ensure the ladders are located on flat, firm, even ground before attempting installation.



Remove the bolts on the front of the wall brackets. Raise the awning into position and gently locate the square torsion bar to the wall brackets and then lock into place by replacing the nuts and bolts. Tighten the nuts to ensure the awning is attached to wall brackets securely.

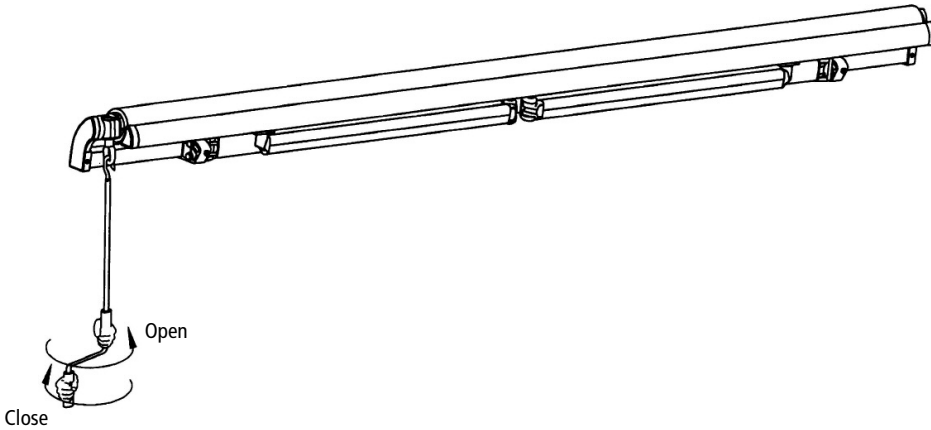
Check the awning is level using a spirit level on the front bar. If necessary adjust using the adjusters at each end by loosening the locking nuts. When loose, turn the jack bolt to adjust the pitch. Adjust the arm until the front profile is level. Re-tighten the locking nuts to fix the level of the awning in place.



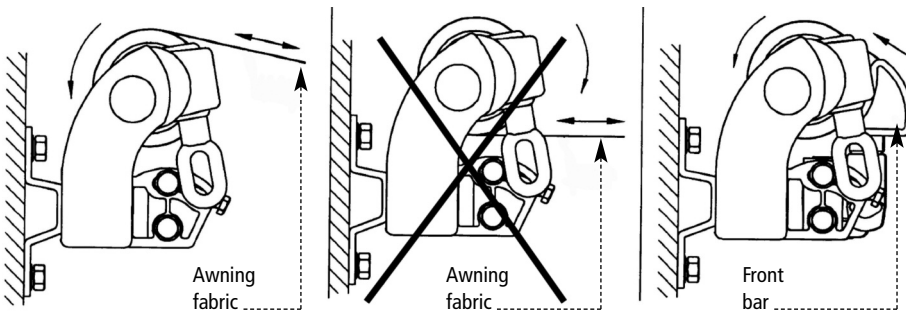
To adjust the inclination/pitch of the awning, adjust the angle adjusters on the arms, loosening or tightening the jack bolt as necessary, fix the locking nuts when the awning is level and at the desired pitch.

## OPERATION

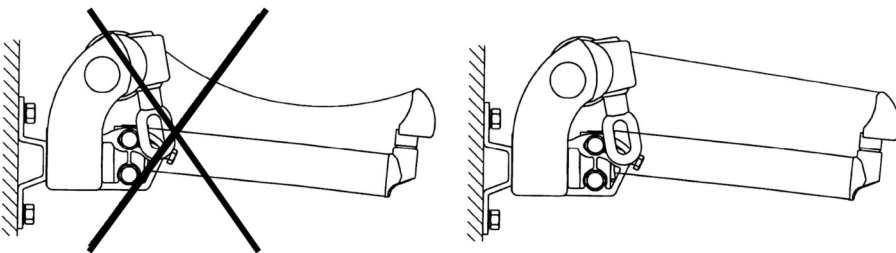
Attach the swing hand hook to the gear box. Turn the handle to roll/unroll the awning. Note: the awning may be level when extended but not perfectly level when fully retracted, this is normal.



Ensure the fabric feeds from the top of the roller. The fabric must not feed from the bottom of the roller. Once the front bar has been retracted, stop winding. There is a risk of damage to the fabric if wound too tightly.



Do not continue unrolling the material once the arms are fully extended. The material should remain taut. Note: the arms will have a slight bend when the awning is fully extended for added stability.



## MAINTENANCE & CLEANING

- The awnings require regular maintenance. Check and oil the gearbox, hand hook shaft and joints once every three months.
- Do not use a pressure washer to clean mechanism and the fabric. Clean using Mrs Cooper's Best Awning Cleaner and periodically apply Mrs Cooper's Best Awning Re-Proofers and Mould Inhibitor, especially at the beginning and end of each season.
- Replacement fabric covers are available, if required.
- Replacement covers, Mrs Cooper's Best Awning Cleaner and Mrs Cooper's Best Awning Re-Proofers and Mould Inhibitor are supplied by Coopers of Stortford [www.coopersofstortford.co.uk](http://www.coopersofstortford.co.uk)
- Check the installation and all fixings regularly, especially after periods of extended non-use.



## SPECIFICATION

Inclination angle	0-45°
Fabric	Polyester
Wind resistance class	Class 1 (28Km/h)

## DISPOSAL

Dispose of all paper, cartons and plastic in accordance with your local recycling regulations. At the end of the product's lifespan please dispose of it at an authorised household waste recycling centre.

Head Office, 11 Bridge Street,  
Bishop's Stortford CM23 2JU  
Tel: 0844 482 4400  
Fax: 01279 756595  
[www.coopersofstortford.co.uk](http://www.coopersofstortford.co.uk)

**Coopers**  
OF STORTFORD