

2.7m Tilt Parasol

11471/11472

Instructions for Use

Please read and retain these instructions for future reference

v001:16/10/18

GAINSBOROUGH Garden & Wildlife

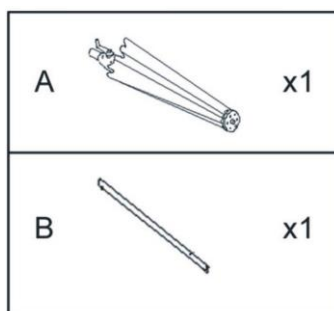
SPECIFICATION:

- 50+ UV protective parasol
- Built in air vent at the top to help prevent the parasol being blown over by the wind

PARTS:

A. Parasol/ Umbrella

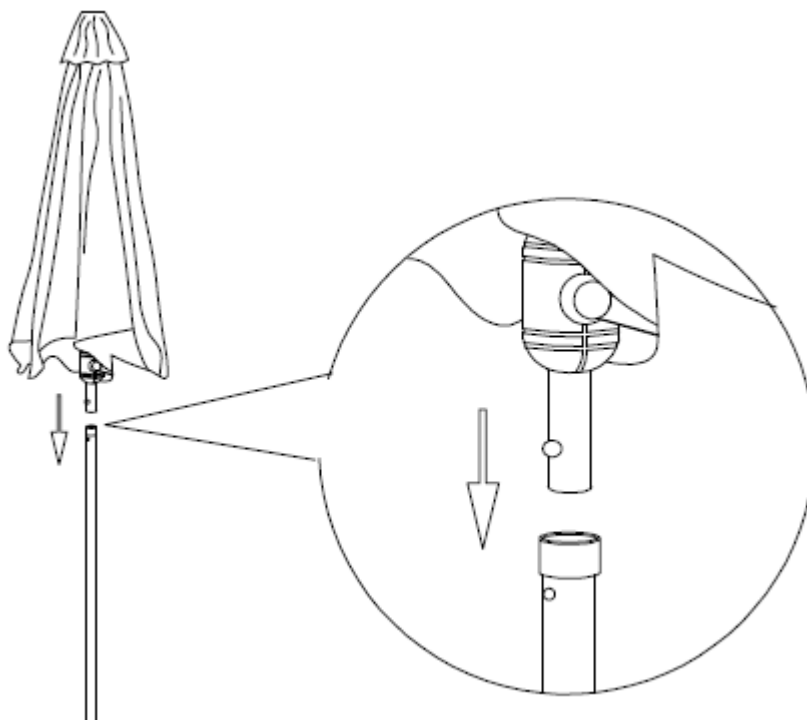
B. Pole



No base included

ASSEMBLY:

- Rotate support pole fully into umbrella pole as shown.



Head Office, 11 Bridge Street,
Bishop's Stortford CM23 2JU
Tel: 0844 482 4400*
Fax: 01279 756 595
www.coopersofstortford.co.uk

Coopers
OF STORTFORD

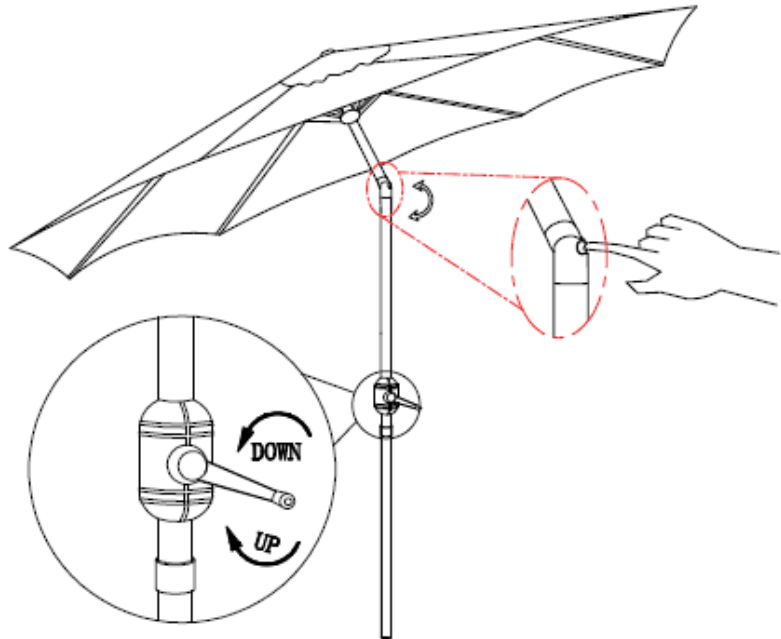
*Calls cost 7 pence per minute plus your telephone company's network access charge

2.7m Tilt Parasol 11471/11472 Instructions for Use

Please read and retain these instructions for future reference

v001:16/10/18

- Crank clockwise to open the umbrella.
- Press button to adjust angle of umbrella tilt (can be tilted by 30°)



- Safely secure your parasol into the base of your choice. Please be sure to follow the manufacturers' recommendations and instructions.

CLEANING INSTRUCTIONS:

- Wipe clean with damp cloth.
- Suitable for outdoor use.
- Move parasol indoors or cover your parasol during inclement weather conditions.

DISPOSAL:

- Dispose of all packaging, paper, cartons, plastic and plastic bags in accordance with your local recycling regulations.
- At the end of the product's lifespan please dispose of it at an authorised household waste recycling centre.

*Calls cost 7 pence per minute plus your telephone company's network access charge

Head Office, 11 Bridge Street,
Bishop's Stortford CM23 2JU
Tel: 0844 482 4400*
Fax: 01279 756 595
www.coopersofstortford.co.uk

Coopers
OF STORTFORD