

# Portable Power Washer

F790 v02: 19/06/20

Please read and retain these instructions for future reference

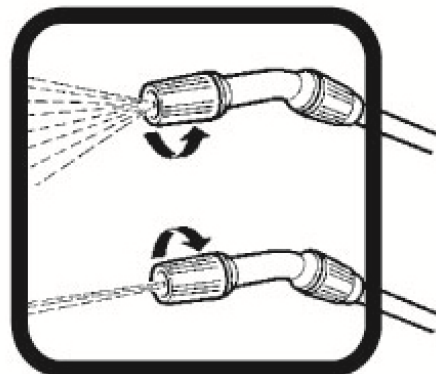


## Technical details:

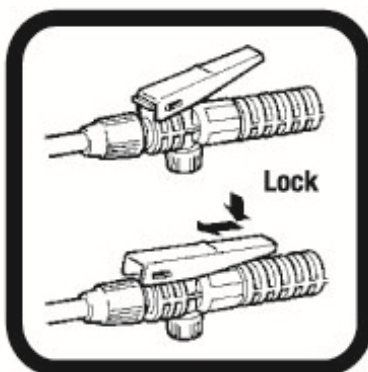
- 8L capacity
- Can create pressure up to 40PSI
- Includes long reach lance and 2.5m hose



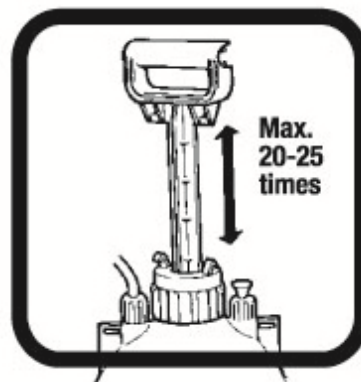
Pull up pressure release valve



Twist nozzle to adjust flow



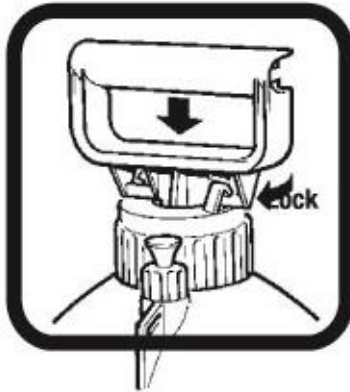
Push down trigger to lock



Push and pull to built pressure maximum 20-25 times.

\*Calls cost 7 pence per minute plus your telephone company's network access charge

The Enterprise Department  
Head Office: 11 Bridge Street  
Bishop's Stortford, CM23 2JU  
Tel: 0844 482 4400\*  
Fax: 01279 756 595  
[www.coopersofstortford.co.uk](http://www.coopersofstortford.co.uk)



Screw in top to lock in place

The Power Washer is ideal for cleaning cars, vans and trucks, for use in home and garden or leisure activities.





### Warning

- This product is designed to be used safely with vehicle cleaning detergents. It should NOT be used with other products classified as corrosive, harmful or irritant such as bleaches, paints, varnishes, strong acids, caustic solutions or similar as these may damage the product. Please refer to the manufacturers' instructions before use.
- When using the product ALWAYS wear suitable protective clothing to minimise the risk of personal injury and ALWAYS follow the manufacturers' instructions for the application and use of vehicle detergents.
- Do not use near electrical connections.
- Please use responsibly.

### DISPOSAL

- Coopers of Stortford use recyclable or recycled packaging where possible.
- Please dispose of all packaging, paper, cartons, packaging in accordance with your local recycling regulations.
- Plastics, polybags – Contains the following recyclable plastic.



Code & Symbol	 LDPE	 PP
Type of Plastic	Low Density Polyethylene	Polypropylene
Commonly used for	Shopping bags, bread bags, squeeze bottles, stretch/pallet wrap, bubble wrap, multi-pack can holders	Microwaveable food containers, yoghurt pots, butter tubs, disposable plates and cups
Notes	Usually recyclable supermarket deposit points. Check other plastic films as any non-polythene film e.g. cling film, crisp packets film lids	Commonly recycled and collected from household recycling bins (packaging tape itself not recyclable but does not interfere with cardboard)

- At the end of the product's lifespan please check with your local council authorised household waste recycling centre for disposal.