**Technical Data**

Voltage: 220-240V AC
Frequency: 50-60Hz
Machine Power: 300W
Length of cord: 5m
Noise: ≤ 80db
Vacuity: ≥5Kpa
Dust Collecting Capacity: 180ml

Product Introduction and Precaution**Product Introduction**

This product is designed to tackle allergens such as dust mites, bed bugs, bacteria and pollen. The UV light attacks their DNA preventing them from reproducing and spreading, sterilizing your mattress and soft furnishings.

Scope of Application

Please do not use this product to clean the following objects:

1. Objects with high temperature.
2. Liquid or semi-liquid, such as water, oil, coal oil, diesel oil, paint, alcohol and detergent.
3. Sharp fragment or dust, such as glass and ionic particles
4. Poisonous and hazardous materials, such as vitriol oil, corrosibility and erodent.

Ultraviolet Rays

Please pay attention to the following during usage:

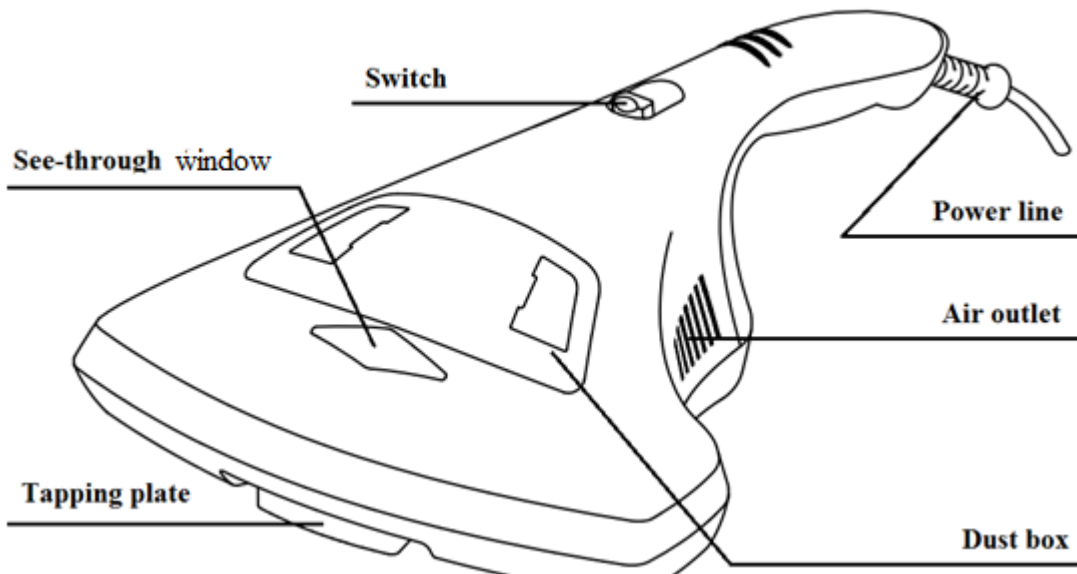
1. Please do not aim the ultraviolet tube at any part of human body (eye, hand and face), animal or plant to avoid damage.
2. This product has a three-dotted touch safety design, so please do not modify the device to avoid reducing the product safety factor or unexpected accidents.
3. Please do not aim the ultraviolet tube at a part for a long time to avoid damage to the object.
4. After ultraviolet tube is open, do not put your hand under the ultraviolet light to avoid skin burning.
5. There are no user serviceable parts. If the ultraviolet tube is dimmed or flashing, stop using the appliance immediately.

Others

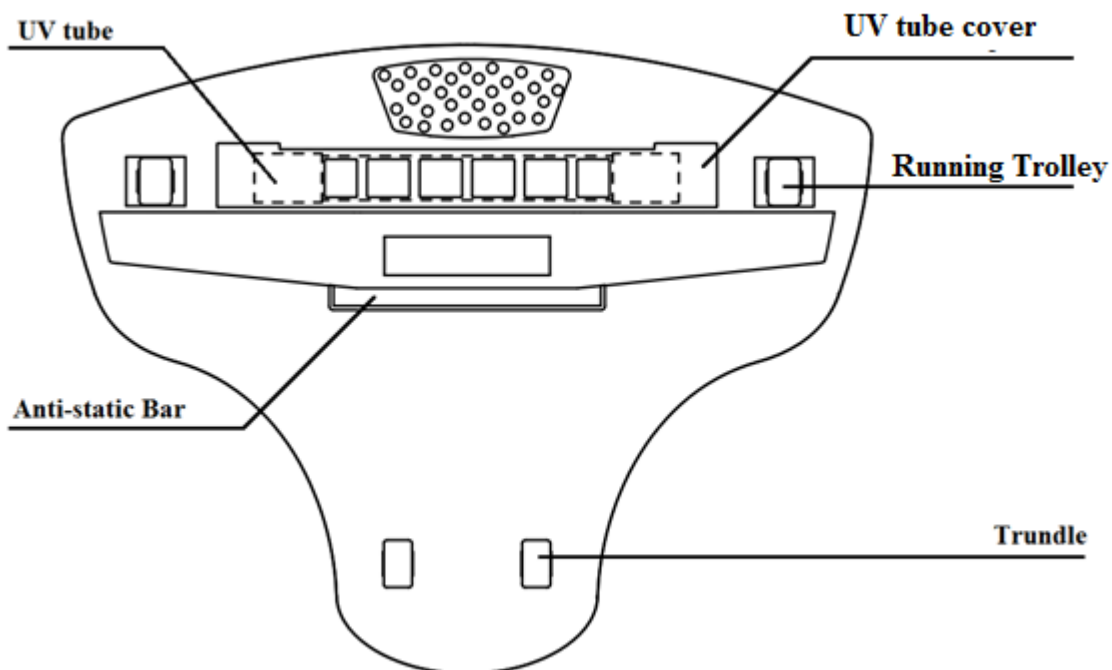
Do not use without all filter components having been installed.

Product Schema

Front Side



Rear / bottom Side



Product Feature and Function

Feature:

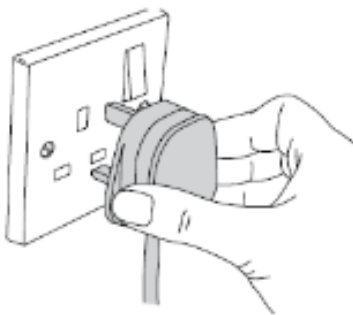
1. Provided with high-efficiency (253.7nm) UV-C Silex glass ultraviolet sterilization tube.
2. Provided with 300W rated power, high-efficiency filter system (HEPA) and the vacuum cleaning function of the ordinary professional vacuum cleaner.
3. Provided with patented design; ergonomic handle design.
4. Provided with three-dotted touch safety design to ensure application safety.
5. Provided with tapping function to kill mite and provide thorough sterilization.

Function:

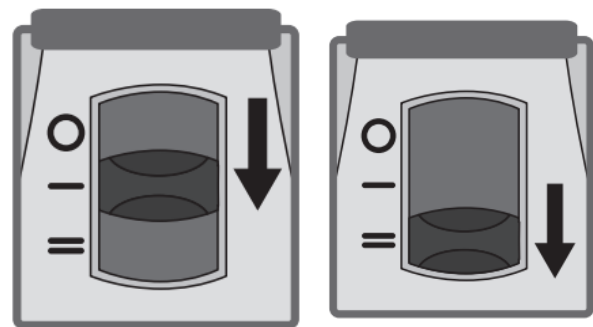
1. Vibrating and tapping can clear away mites, dust and scurf deeply rooted in textile.
2. After opening ultraviolet tube, the radiation of ultraviolet can kill bacteria, mite and other microorganisms by damaging its external ribonucleic acid and disabling it.
3. After the vacuum cleaner starts up, the mite, dust and scurf can be cleaned on the surface.

Application

Connect the machine to electricity, toggle switch from "0" to "I", launch sterilization and dust cleaning mode, move switch from "I" to "II" to launch tapping function.

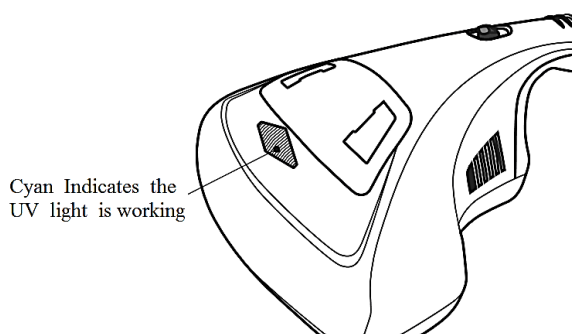


Connect power line into mains socket
(ensure this is switched off before inserting the plug)

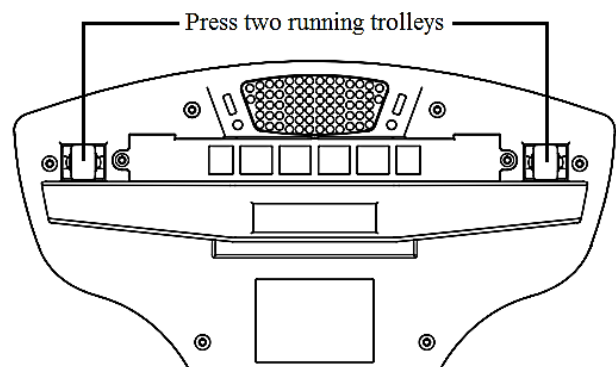


Toggle switch

Put the machine on object to be cleaned (such as bedding and clothes), toggle switch to operation position, then the machine will be under pre-operation status to press two running trolleys that are in the front of the machine bottom, pull and push the machine back and forth to perform cleaning job.



Working status window

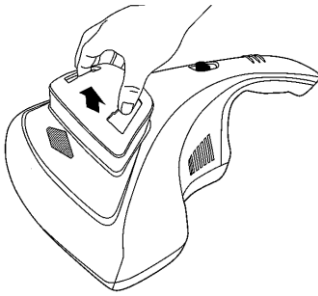


Running trolley

Cleaning and Maintenance

Cleaning Dust Collection Box

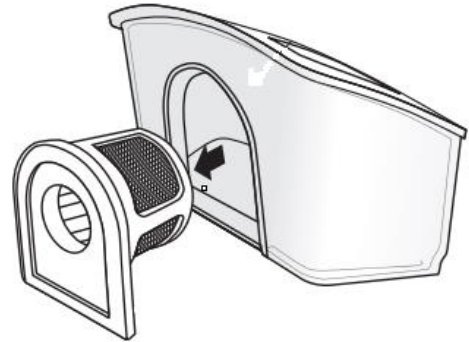
Switch off the machine, unplug power line and push the fasteners on both sides of the dust box to take out the dust box. After taking off the filter device, you can pour out the contents or wash with clean water.



Take out the dust box
Maintenance and Repair



Wash with clean water



Ventilate and dry

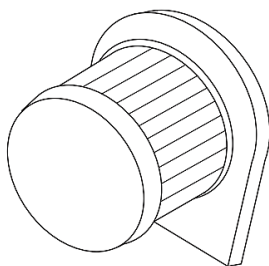
Daily Cleaning

Any daily cleaning or maintenance work must be performed after turning off and unplugging the UV Bed Vac.

Regularly empty and clean the dust box, filter cartridge.

Ensure the UV-C ultraviolet tube is kept free from dust, oil stains or others.

The surface of the vacuum cleaner cannot be cleaned with water or other liquids to avoid it entering the inside parts of the machine. Use a dry cloth or wet wipes for cleaning.



HEPA filter cartridge



UV-C Silex glass ultraviolet sterilization tube

Daily Maintenance, Storage and Trouble Shooting**Storage and Maintenance**

If not using machine for a long time, please put the machine in a flannelette bag (not included) and then locate it in dry and cool place; please do not put machine in direct sunlight or humid environment.

Do not store anything on top of the machine to prevent damage.

If the product (especially the ultraviolet tube) is broken, stop using product immediately.

Simple Trouble Shooting

Failure	Possible Causes	Solution
The vacuum cleaner is not working	<ol style="list-style-type: none"> 1. The plug is not properly connected to the socket. 2. The power socket has no electricity 3. The vacuum cleaner is not switched on 	<ol style="list-style-type: none"> 1. Reinsert the plug 2. Check the circuit breaker 3. Toggle the switch of the machine
Suction force is weak	<ol style="list-style-type: none"> 1. The air inlet is blocked 2. Dust box is full 3. Too much dust on the HEPA filter surface 	<ol style="list-style-type: none"> 1. Clean the obstruction 2. Empty the dust box. 3. Clean the dust on the filter surface
Ultraviolet light is off	<ol style="list-style-type: none"> 1. Running trolley on the bottom of the machine is not pressed down 2. Light is obscured. 3. The line of the ultraviolet tube is broken off 4. The ultraviolet tube is broken 	<ol style="list-style-type: none"> 1. Press the running trolley down with slight force 2. Shut down the machine power and wipe the cleaning tube 3. Contact customer service 4. Contact the customer service
Tapping head does not move	<ol style="list-style-type: none"> 1. The switch is not pushed to "II" 2. Motor is broken 	<ol style="list-style-type: none"> 1. Push the switch to "II". 2. Contact the customer services

WARNINGS AND SAFETY INSTRUCTIONS:

WHEN USING ELECTRICAL APPLIANCES, BASIC SAFETY PRECAUTIONS SHOULD ALWAYS BE FOLLOWED:

- READ ALL INSTRUCTIONS BEFORE USE.
- FOR DOMESTIC INDOOR USE ONLY.
- DO NOT USE OUTDOORS OR FOR COMMERCIAL USE.
- BEFORE USE, CHECK THOROUGHLY FOR ANY DEFECTS AND DO NOT USE IF DEFECTS ARE FOUND. TAKE CARE NOT TO DROP THE APPLIANCE AS HEAVY IMPACTS MAY CAUSE INTERNAL DAMAGE.
- BEFORE CONNECTING THE APPLIANCE, CHECK IF THE VOLTAGE INDICATED ON THE BOTTOM OF THE APPLIANCE IS IN ACCORDANCE WITH THE MAINS VOLTAGE IN YOUR HOME.
- CHECK THE APPLIANCE AND POWER CABLE CAREFULLY FOR DAMAGE BEFORE EACH USE.
- THIS APPLIANCE CAN BE USED BY CHILDREN AGED FROM 8 YEARS AND ABOVE AND PERSONS WITH REDUCED PHYSICAL, SENSORY OR MENTAL CAPABILITIES OR LACK OF EXPERIENCE AND KNOWLEDGE IF THEY HAVE BEEN GIVEN SUPERVISION OR INSTRUCTION CONCERNING USE OF THE APPLIANCE IN A SAFE WAY AND UNDERSTAND THE HAZARDS INVOLVED. CHILDREN SHALL NOT

Head Office, 11 Bridge Street,
Bishop's Stortford CM23 2JU
Tel: 0844 482 4400*
Fax: 01279 756 595

www.coopersofstortford.co.uk

Coopers
OF STORTFORD

*Calls cost 7 pence per minute plus your telephone company's network access charge

PLAY WITH THE APPLIANCE. CLEANING AND USER MAINTENANCE SHALL NOT BE MADE BY CHILDREN WITHOUT SUPERVISION.

- CHILDREN OF LESS THAN 3 YEARS SHOULD BE KEPT AWAY UNLESS CONTINUOUSLY SUPERVISED.
- **SOME PARTS OF THIS PRODUCT CAN BECOME VERY HOT AND CAUSE BURNS. PARTICULAR ATTENTION HAS TO BE GIVEN WHERE CHILDREN AND VULNERABLE PEOPLE ARE PRESENT.**
- THE USE OF ANY ACCESSORY ATTACHMENTS NOT RECOMMENDED BY COOPERS OF STORTFORD MAY CAUSE INJURIES AND INVALIDATE ANY WARRANTY YOU MAY HAVE.
- DO NOT LET THE POWER CABLE HANG OVER THE EDGE OF A TABLE OR COUNTER, OR TOUCH HOT SURFACES.
- DO NOT PLACE ON OR NEAR HEAT SOURCES.
- USE ON A LEVEL, STABLE SURFACE.
- DO NOT COVER THE ITEM IN ANY WAY WHEN IN USE AS THIS MAY CAUSE OVERHEATING.
- DO NOT USE THIS APPLIANCE FOR ANY OTHER USE THAN THE INTENDED USE IT IS DESIGNED FOR.
- ENSURE THERE IS SUFFICIENT DISTANCE BETWEEN THIS APPLIANCE AND OTHER ITEMS ON THE WORK SURFACE OR WORK STATION, OR SUFFICIENT DISTANCE BETWEEN THE APPLIANCE AND THE CONFINES OF THE AREA IN WHICH IT IS SITUATED. WE RECOMMEND A MINIMUM CLEARANCE AROUND ALL FACES OF AT LEAST 10CM.
- TO PROTECT AGAINST ELECTRIC SHOCK, DO NOT IMMERSE POWER CABLE, PLUG OR APPLIANCE, IN WATER OR ANY OTHER LIQUID.
- UNPLUG FROM OUTLET WHEN NOT IN USE AND BEFORE CLEANING.
- DO NOT OPERATE ANY APPLIANCE WITH A DAMAGED POWER CABLE OR PLUG OR AFTER THE APPLIANCE MALFUNCTIONS, OR HAS BEEN DAMAGED IN ANY MANNER. WE RECOMMEND THAT THE POWER CABLE IS NOT KINKED OR STORED IN A TWISTED MANNER, AND THAT YOU REGULARLY CHECK ITS CONDITION.
- ANY REPAIRS MUST BE CONDUCTED BY A QUALIFIED ELECTRICIAN OR ELECTRICAL SERVICE AGENT.

PLUG WIRING (UK & IRELAND)

This appliance is fitted with a moulded BS 1363 **13-amp** plug. If you have to replace the fuse, only those that are ASTA or BSI approved to BS1362 and with a rated current of **13-amps** should be used.

If there is a fuse cover fitted, this cover must be re-fitted after changing the fuse. If the fuse cover is lost or damaged the plug must not be used. Spare fuse holders and fuses are available from electrical outlets. If the socket outlets in your home or office are not suitable for this product's plug, the plug must be removed and disposed of safely.

Attempts to insert the plug into the wrong socket is likely to cause electric hazard.

DISPOSAL

- Dispose of all packaging, paper, cartons and plastic, plastic bags in accordance with your local recycling regulations.
- At the end of the product's lifespan please dispose of it at an authorised household WEEE waste recycling centre.

