



Item Code F886 CR – White Kitchen Stool

Item Code F886 RE – Red Kitchen Stool

Dimensions:

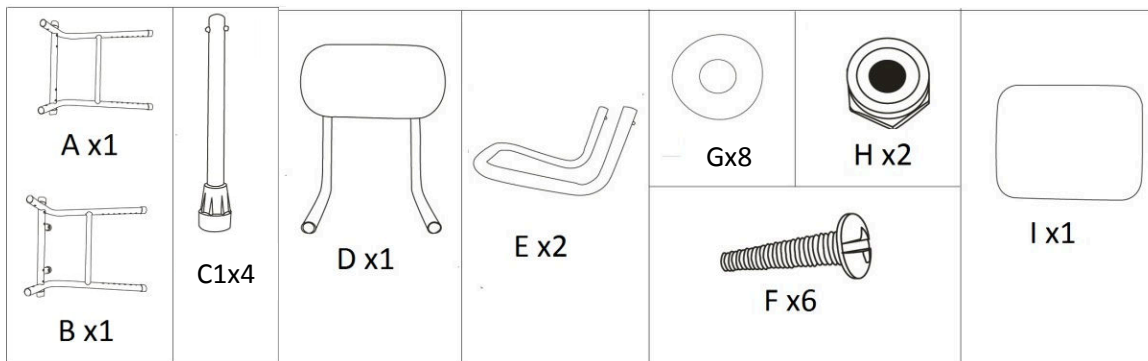
53-68 cm (H) – adjustable x43cm (W) adjustable x27cm (D)

Detachable arm and back rests

Max. weight/load: 136kg

Parts

Remove all parts from the packaging. All parts are illustrated below:



A – Front frame x1

B – Back frame x1

C1- foot pieces x4

D – Backrest x1

E – Handles x2

F – Screws x6

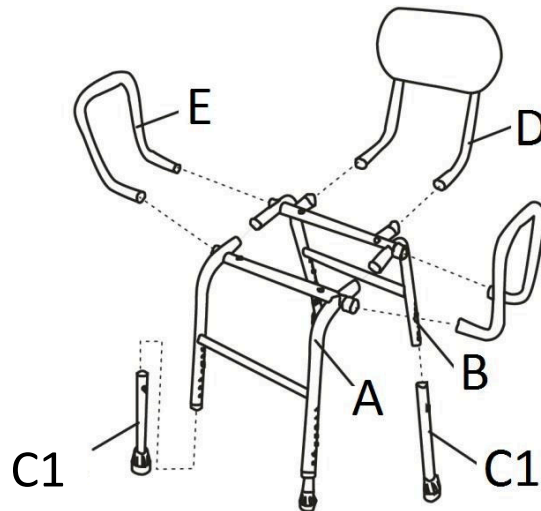
G – Washers x8

H – Safety nuts x2

I – Seat x1

Assembly

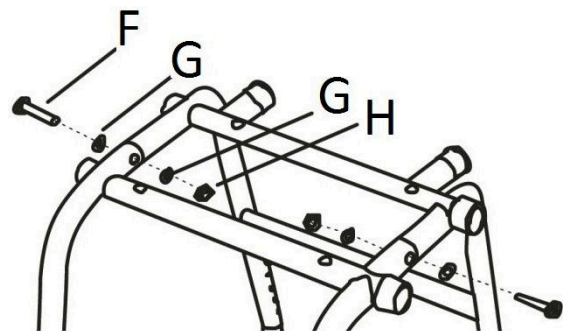
1. Secure part # A (Front frame) to part # B (Back frame).
2. Insert Part # C1 (Foot pieces) into the Back and Front frame respectively. Press and hold the two buttons on Part # C1 to insert them. Make sure the push buttons on each leg completely protrude through the hole on each side.

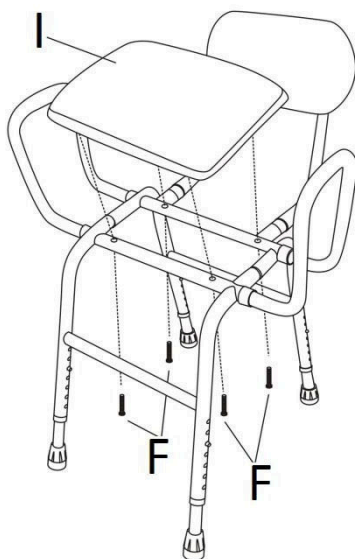


Note: The height of the stool can be adjusted by pressing the two buttons on each foot pieces. Make sure the stool is stable after each height adjustment.

1. Insert part # D (Backrest) into the Back frame and insert part # E (Handles) into each side of the front and back frames.
2. Insert parts # F (Screws), # G, and # H (Safety nuts) in the order as illustrated to fix the position of the Front and Back frame.

Note: The screws do not need to be inserted all the way through the safety nuts. The two screws here serve the function of stabling the back and front frame. As long as the screws protrude through the frame, the stool should be stable.





Put part # I (Seat) on top of the Front and Back frame. Insert part # F(Screws) with a screwdriver (not included) to tighten the Seat.

Maintenance

- Make sure during installation that each spring pin of the foot pieces completely protrudes out of the holes before sitting on the stool.
- Check at regular intervals the stability of the structure and if there are any damages in the frame that may threaten the safety of usage.

Caution

- MAKE SURE THE STOOL IS STABLE BEFORE USE.
- Make sure all screws are in place.
- Make sure all parts and joints of the stool are completely firm and secure before use.
- Make sure the stool is well balanced, make adjustment on the foot pieces to change the stool to desirable height for use.

CARE AND CLEANING INSTRUCTIONS:

- Wipe with a clean dry cloth.

DISPOSAL

- Dispose of all packaging, paper, cartons, plastic and plastic bags in accordance with your local recycling regulations.
- At the end of the product's lifespan please dispose of it at an authorised household waste recycling centre.