

**Power Details:**

220-240V

50/60 Hz

900-1100W

Capacity: 1.5l (12 cups)

Length of power lead: 70cm

SPECIAL CORD SET INSTRUCTIONS

A short power supply cord is provided to reduce the risks resulting from becoming entangled in or tripping over a longer cord. Extension cords may be used if care is exercised in their use. If an extension cord is used, the marked electrical rating of the extension cord must be at least as great as the electrical rating of the appliance, and the longer cord should be arranged so that it will not drape over the counter top or table top where it can be pulled on by children or tripped over.

OPERATING NOTICE

Clogging and backing up of water and/or coffee in the coffee basket can occur under any or a combination of any of the following conditions: The use of too finely ground coffee or not properly cleaning coffee grounds from the gold-tone filter, or allowing coffee grounds to spill over the coffee basket.

Caution: Never open the top cover during the brewing cycle, even if no water is draining from the coffee basket, since extremely hot water/coffee can spill out from the coffee basket and cause injury. If water/coffee is not draining from the coffee basket during the brewing cycle, unplug the unit and wait 10minutes before opening the top cover and checking the coffee basket.

IMPORTANT UNPACKING INSTRUCTIONS

- Place the box on a large, sturdy, flat surface.
- Remove the instruction book and any other literature.
- Turn the box so that the backside of the percolator is down and slide the percolator from the box.
- After the percolator has been removed, place the box out of the way and take the pulp inserts away.
- Remove the polybag covering the percolator.
- We suggest you save all packing materials in the event that future shipping of the machine is needed. Keep all plastic bags away from children.

1.5L Copper Percolator

F922

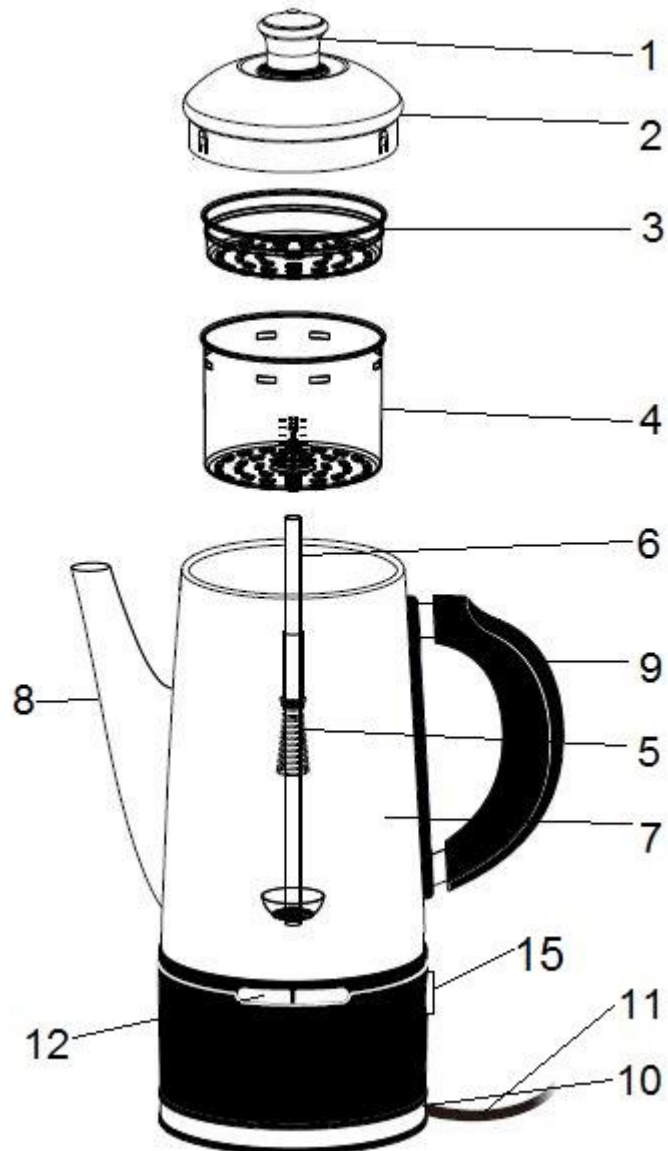
Instructions for Use

Please read and retain these instructions for future reference

v002:26/06/19

Parts

1. **Percolator knob**
2. **Stainless steel cover.** Lock down cover ensures safe pouring.
3. **Coffee basket lid**
4. **Coffee basket.** Holds ground coffee for up to 12 cups of coffee. Convenient measurement.
5. **Spring**
6. **Pump tube.** Delivers water automatically from the carafe to the basket.
7. **Stainless steel body.** Holds from 4 to 12 cups of coffee.
8. **Tapered spout.** For no mess, dripless pouring.
9. **Comfort grip handle.** Ergonomically designed for easy pouring.
10. **Stay cool base.** Prevents heat damage to tables and counters. Eliminates the need for a trivet or other surface protector.
11. **Removable power base.** For convenient pouring and serving, the power base is removable from the unit.
12. **Indicator light.** Red light illuminates to indicate that brewing cycle is in operation. Green light illuminates to indicate keep warming mode.

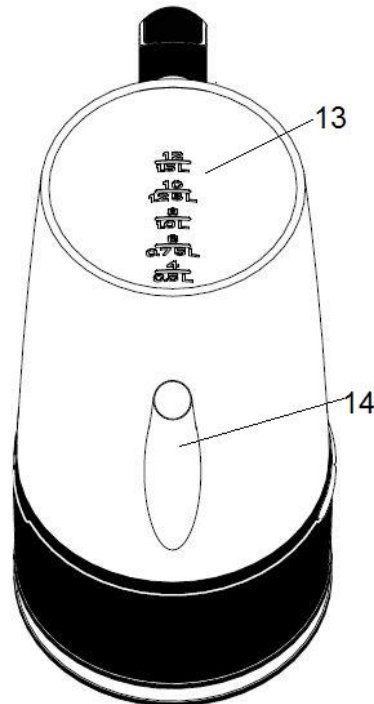


*Calls cost 7 pence per minute plus your telephone company's network access charge

Head Office, 11 Bridge Street,
Bishop's Stortford CM23 2JU
Tel: 0844 482 4400*
Fax: 01279 756 595
www.coopersofstortford.co.uk

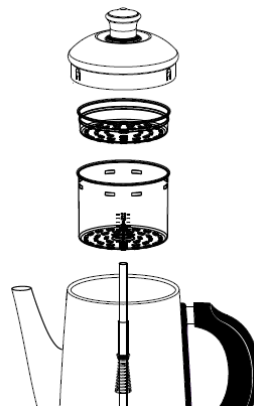
Coopers
OF STORTFORD

- 13. Water level markings (inside view).
- 14. Well
- 15. On/Off button



USING THE PERCOLATOR

1. Before using for the first time, thoroughly wash all parts of the percolator. (See the Cleaning and Maintenance section of this booklet.)
2. Remove cover, basket, lid and pump tube with spring. Using the measurement markings (located inside the body) fill the percolator with the desired amount of water. For best results, be sure to use cold water when filling the percolator, filtered water is recommended. Caution: Don't fill water above the maximum level of: 12cup/1.5L.



3. Run cold water over the coffee basket. Place basket on top of pump tube. Add desired amount of coffee in the basket. To help keep small coffee grounds from sifting through the holes in the basket distribute the coffee evenly, be certain to use a grind designed for percolator coffee, or use a coarse grind. Finer grinds may sift through the holes. The level indicator on the coffee percolator shows 125ml/cup.

Head Office, 11 Bridge Street,
Bishop's Stortford CM23 2JU
Tel: 0844 482 4400*
Fax: 01279 756 595

www.coopersofstortford.co.uk

Coopers
OF STORTFORD

*Calls cost 7 pence per minute plus your
telephone company's network access charge

- Place basket and pump tube assembly into percolator so bottom of tube fits into the well. Place basket cover on top of basket and push cover onto top of percolator.
- Plug base into standard household mains wall outlet. Press the on/off button, the red light will illuminate and brewing will begin within seconds. Once brewing cycle is complete, indicator light will illuminate to green signal indicating your coffee is ready. After brewing is finished the temperature of the coffee will drop depending on the ambient temperature. When the temperature of the coffee drops around 75-80 °C the heating function will re-activate if the percolator is left on the power base. Off the power base the temperature of the coffee will drop gradually depending on ambient temperature.

Warning: Be certain the percolating process has stopped completely before removing cover.

- Once brewing has completed, remove the cover carefully and using a mitt or potholder, remove the basket and pump tube.
- Caution:** do not touch the stainless steel parts of the percolator, as they will be hot. Replace cover so it snaps into place. You are now ready to enjoy a flavourful cup of coffee.

CLEANING AND MAINTENANCE

Always remove the plug from the electrical outlet before attempting to clean the percolator.

The percolator cover, basket, lid, and pump tube (with spring) can all be placed in the upper rack of a dishwasher or washed in warm soapy water and rinsed thoroughly.

Never wash percolator body or power cord in the dishwasher.

Never immerse the percolator body in water or other liquids. To clean, simply wipe with a clean, damp cloth and dry before storing.

Do not use scouring agents or harsh cleaners on any part of the percolator.

Note: The washer at the bottom of the pump tube must move freely. Should coffee grounds become trapped near the washer, loosen with a toothpick, then run under tap water to clean.

Storage: Percolator should be stored with cover off.

Maintenance: Any other servicing should be performed by an authorized service representative.

DESCALING

Descaling refers to removing the calcium deposits that form on the metal parts of the percolator over time.

For best performance from your percolator, descale the unit regularly. The frequency depends upon the hardness of your tap water and how often you use the percolator. Descaling will clean the interior of the unit. The use of filtered water will reduce the scaling.

To descale, fill percolator with vinegar to the 3 cup level then add water to the 12 cup level. Combined mixture should not exceed 12 cups. Be sure that all parts are in place, and make sure that the lid is securely on. Place the percolator on its base and plug the unit into an electrical outlet. Let the unit run through its normal cycle. Once complete, discard the vinegar and water mixture.

Run one cycle of fresh, cold water (without vinegar) through the unit at the completion of descaling before using the unit to brew coffee.

WARNINGS AND SAFETY INSTRUCTIONS:

WHEN USING ELECTRICAL APPLIANCES, BASIC SAFETY PRECAUTIONS SHOULD ALWAYS BE FOLLOWED:

- READ ALL INSTRUCTIONS BEFORE USE.
- FOR DOMESTIC INDOOR USE ONLY.
- DO NOT USE OUTDOORS OR FOR COMMERCIAL USE.
- BEFORE USE, CHECK THOROUGHLY FOR ANY DEFECTS AND DO NOT USE IF DEFECTS ARE FOUND. TAKE CARE NOT TO DROP THE APPLIANCE AS HEAVY IMPACTS MAY CAUSE INTERNAL DAMAGE.
- BEFORE CONNECTING THE APPLIANCE, CHECK IF THE VOLTAGE INDICATED ON THE BOTTOM OF THE APPLIANCE IS IN ACCORDANCE WITH THE MAINS VOLTAGE IN YOUR HOME.
- CHECK THE APPLIANCE AND POWER CABLE CAREFULLY FOR DAMAGE BEFORE EACH USE.
- ALWAYS FILL PERCOLATOR WITH WATER FIRST, THEN PLUG CORD INTO THE WALL OUTLET. TO DISCONNECT, TURN CONTROLS TO "OFF", THEN REMOVE PLUG FROM WALL OUTLET.
- SCALDING MAY OCCUR IF THE LID IS REMOVED DURING THE BREWING CYCLE.
- WARNING: IF THE COFFEE PERCOLATOR IS OVERFILLED, BOILING WATER MAY BE EJECTED.
- THE COFFEE PERCOLATOR CAN ONLY BE USED WITH THE STAND PROVIDED.
- THIS APPLIANCE CAN BE USED BY CHILDREN AGED FROM 8 YEARS AND ABOVE AND PERSONS WITH REDUCED PHYSICAL, SENSORY OR MENTAL CAPABILITIES OR LACK OF EXPERIENCE AND KNOWLEDGE IF THEY HAVE BEEN GIVEN SUPERVISION OR INSTRUCTION CONCERNING USE OF THE APPLIANCE IN A SAFE WAY AND UNDERSTAND THE HAZARDS INVOLVED. CHILDREN SHALL NOT PLAY WITH THE APPLIANCE. CLEANING AND USER MAINTENANCE SHALL NOT BE MADE BY CHILDREN WITHOUT SUPERVISION.
- CHILDREN OF LESS THAN 3 YEARS SHOULD BE KEPT AWAY UNLESS CONTINUOUSLY SUPERVISED.
- **SOME PARTS OF THIS PRODUCT CAN BECOME VERY HOT AND CAUSE BURNS. PARTICULAR ATTENTION HAS TO BE GIVEN WHERE CHILDREN AND VULNERABLE PEOPLE ARE PRESENT.**
- THE USE OF ANY ACCESSORY ATTACHMENTS NOT RECOMMENDED BY COOPERS OF STORTFORD MAY CAUSE INJURIES AND INVALIDATE ANY WARRANTY YOU MAY HAVE.
- DO NOT LET THE POWER CABLE HANG OVER THE EDGE OF A TABLE OR COUNTER, OR TOUCH HOT SURFACES.
- DO NOT PLACE ON OR NEAR HEAT SOURCES.
- USE ON A LEVEL, STABLE SURFACE.
- DO NOT COVER THE ITEM IN ANY WAY WHEN IN USE AS THIS MAY CAUSE OVERHEATING.
- DO NOT USE THIS APPLIANCE FOR ANY OTHER USE THAN THE INTENDED USE IT IS DESIGNED FOR.
- ENSURE THERE IS SUFFICIENT DISTANCE BETWEEN THIS APPLIANCE AND OTHER ITEMS ON THE WORK SURFACE OR WORK STATION, OR SUFFICIENT DISTANCE BETWEEN THE APPLIANCE AND THE CONFINES OF THE AREA IN WHICH IT IS SITUATED. WE RECOMMEND A MINIMUM CLEARANCE AROUND ALL FACES OF AT LEAST 10CM.
- ALLOW THE ITEM TO COOL THOROUGHLY BEFORE PUTTING ON OR TAKING OFF PARTS.

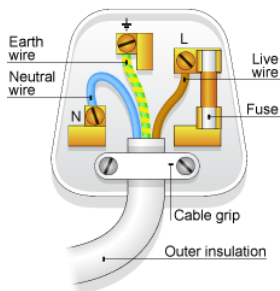
- TO PROTECT AGAINST ELECTRIC SHOCK, DO NOT IMMERSE POWER CABLE, PLUG OR APPLIANCE, IN WATER OR ANY OTHER LIQUID.
- UNPLUG FROM OUTLET WHEN NOT IN USE AND BEFORE CLEANING.
- DO NOT OPERATE ANY APPLIANCE WITH A DAMAGED POWER CABLE OR PLUG OR AFTER THE APPLIANCE MALFUNCTIONS, OR HAS BEEN DAMAGED IN ANY MANNER. WE RECOMMEND THAT THE POWER CABLE IS NOT KINKED OR STORED IN A TWISTED MANNER, AND THAT YOU REGULARLY CHECK ITS CONDITION.
- ANY REPAIRS MUST BE CONDUCTED BY A QUALIFIED ELECTRICIAN OR ELECTRICAL SERVICE AGENT.

PLUG WIRING (UK & IRELAND)

This appliance is fitted with a BS 1363 **13-amp** plug. If you have to replace the fuse, only those that are ASTA or BSI approved to BS1362 and with a rated current of **13-amps** should be used. If there is a fuse cover fitted, this cover must be re-fitted after changing the fuse. If the fuse cover is lost or damaged the plug must not be used. Spare fuse holders and fuses are available from electrical outlets. If the socket outlets in your home or office are not suitable for this product's plug, the plug must be removed and disposed of safely. Attempts to insert the plug into the wrong socket is likely to cause electric hazard. A replacement plug should be wired according to the following instructions:

The cable

A mains electricity cable contains two or three inner wires. Each has a core of copper and an outer layer of flexible plastic. This product is earthed; the wires in the plug are colour coded in the following way:



BLUE	NEUTRAL
BROWN	LIVE
GREEN & YELLOW	EARTH

The diagram shows the key features of a correctly wired three-pin mains plug.

CARE AND CLEANING INSTRUCTIONS

- Always switch off and unplug before cleaning.
- Do NOT immerse in water. Risk of electric shock.
- Do NOT use abrasive cleaners or sharp utensils to clean this appliance.
- Wipe surfaces with a soft dry cloth.
- Allow to dry thoroughly before further use.
- Store the appliance in a cool, dry place.

DISPOSAL

- Dispose of all packaging, paper, cartons, plastic and plastic bags in accordance with your local recycling regulations.
- At the end of the product's lifespan please dispose of it at an authorised household WEEE waste recycling centre.

