



### Power Details:

Battery: 2 x "AA"(UM-3) batteries (not included)

AC Adaptor (not included):

Input: 240VAC- 50/60Hz

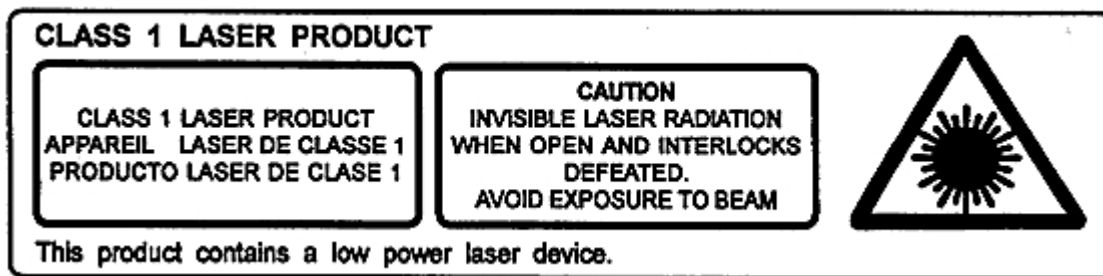
DC 4.5V  $\overline{\text{---}}$  700mA

USB Power: DC 5V  $\overline{\text{---}}$  500mA

### Accessories:

Earphones

### Caution

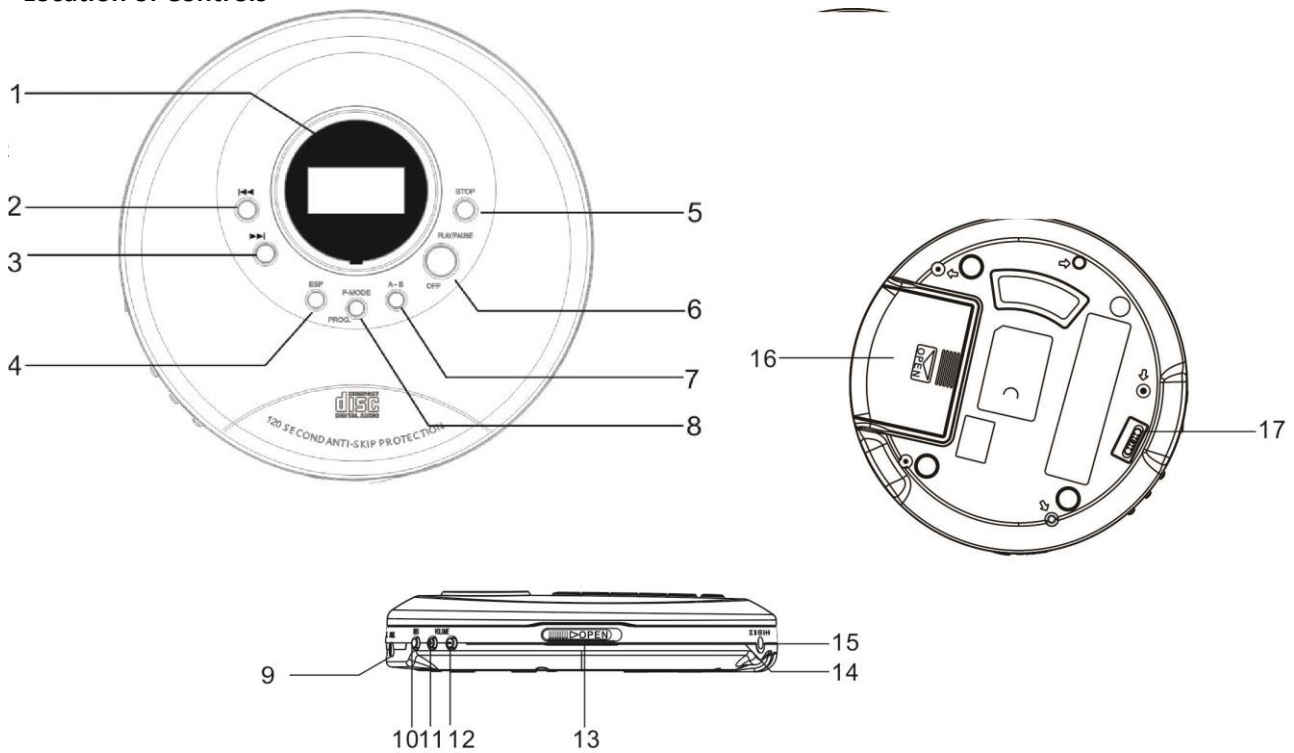


Follow the advice below for safe operations.

### ON PROTECTION AGAINST LASER ENERGY EXPOSURE

- As the laser beam used in this compact disc player is harmful to the eyes, do not attempt to disassemble the casing.
- Stop operation immediately if any liquid or solid object should fall into the cabinet.
- Do not touch the lens or poke at it. If you do, you may damage the lens and the player may not operate properly.
- Do not put anything in the safety slot. If you do, the laser diode will be ON when the CD door is still open.
- If the unit is not to be used for a long period of time, make sure that all power sources are disconnected from the unit. Remove all batteries from the battery compartment.
- This unit employs a laser. The use of controls or adjustment or performance of procedures other than those specified here may result in exposure to hazardous radiation.
- Should any trouble occur, remove the power source and refer servicing to qualified personnel.

## Location of Controls



- |   |   |    |                                 |
|---|---|----|---------------------------------|
| 1 | LCD DISPLAY                               | 10 | BSS ON/OFF BUTTON (Bass effect) |
| 2 | ⏮️ BUTTON                                 | 11 | VOLUME + BUTTON                 |
| 3 | ⏭️ BUTTON                                 | 12 | VOLUME - BUTTON                 |
| 4 | ESP BUTTON (electronic stability program) | 13 | CD DOOR OPEN SWITCH             |
| 5 | STOP BUTTON                               | 14 | MINI USB JACK                   |
| 6 | ▶️⏸️ / POWER OFF BUTTON                   | 15 | DC IN JACK                      |
| 7 | A-B BUTTON                                | 16 | BATTERY COMPARTMENT DOOR        |
| 8 | PLAY MODE BUTTON                          | 17 | HOLD SWITCH                     |
| 9 | EARPHONES JACK                            |    |                                 |

## Power Source

### BATTERY OPERATION

Notes: Disconnect AC adapter before installing batteries.

For best performance and longer operating time, we recommend the use of alkaline batteries.

1. Remove the BATTERY COMPARTMENT DOOR on the bottom of the unit.

2. Follow the polarity diagram shown in the BATTERY COMPARTMENT to insert 2 X 'AA' size (UM-3) batteries and close the BATTERY COMPARTMENT DOOR .

### AC ADAPTER (not included) OPERATION

(AC adapter: input 240V – 50/60Hz, output 4.5VDC 700mA)

1. Plug the AC adapter (not included) into normal AC power outlet socket.
2. Insert the DC plug of the AC adapter cord into the DC IN JACK (#15).
3. When the unit is operated using AC adapter, the battery source will automatically be disconnected.

**WARNING :** Before connecting to the power supply, ensure that the supply corresponds to the information on the rating label at the back of the apparatus.

### USB POWER

The CD Player can be operate by USB power DC 5V 500mA).

- Plug one end(micro USB plug) of the USB cable into the USB PORT (#14) and the other end of the cable to the USB charger/power bank/computer (not include)
- When the unit is operated using USB power, the battery source will automatically be disconnected.

### Earphones Connection

Connect the plug of the stereo earphone (included) into the EARPHONES JACK (#9)

#### CAUTION

- Avoid excessive volume levels for long period of time when using the earphones. Prolonged use at high levels may impair your hearing.
- Do not use earphones while operating a motorized vehicle, as it may create a traffic hazard and is illegal in many areas

### CD Operation

#### PLEASE READ THIS IMPORTANT INFORMATION:

CD mechanisms used in devices like this are designed to fully read all commercial CDs. They will also read self-compiled CD-R/CD-RW discs but it may take up to 10 seconds for playback to start. If playback does not start, it is likely due to the quality of the CD-R/RW disc and/or the compatibility of the CD compilation software. Manufacturer is not responsible for the playback quality of CD-R/RW discs.

Do not attach a label or seal to either side of the CD-R/RW disc. It may cause a malfunction.

1. Tap the POWER ON BUTTON (#6) to turn on the unit.
2. Slide the CD DOOR OPEN SWITCH (#13) to open the CD door. Carefully place an audio CD/MP3 CD with its label side upward in the CD compartment and close the CD door.
3. The player will start reading TOC (contents) of the disc.
4. The total number of tracks and time on the CD will appear on the LCD DISPLAY (#1 ) after a few seconds  
Note: The total number of folder and tracks on the MP3 CD will appear on the LCD DISPLAY (# 1).
5. Tap the ►|| BUTTON (#6)to start to play.
6. Adjust the VOLUME +/- (#11/12) to obtain the desired sound.
7. To suspend playing, tap the ►|| BUTTON (#6) again. To resume playing, tap the ►|| BUTTON (#6) again.
8. You can choose to play your favorite track directly by pressing either the ►► or ◀◀ BUTTONS (#2 or #3), The LCD Display (#1) will indicate the correct track number selected.
9. To locate a particular passage within a track, keep the ►► or ◀◀ BUTTONS (#2or #3) depressed until it

Head Office, 11 Bridge Street,  
Bishop's Stortford CM23 2JU  
Tel: 0844 482 4400\*  
Fax: 01279 756 595

[www.coopersofstortford.co.uk](http://www.coopersofstortford.co.uk)

**Coopers**  
OF STORTFORD

\*Calls cost 7 pence per minute plus your  
telephone company's network access charge

is found.

**Note:** Low level audio will be heard during the search process to assist in locating correct point in the track.

10. To repeat a particular track, tap the PLAY MODE BUTTON (#8) repeatedly until the REP 1 indicator lights on the LCD DISPLAY (# 1).
11. To repeat the entire CD, tap the PLAY MODE BUTTON (#8) repeatedly until the REP ALL indicator lights on the LCD DISPLAY (# 1).  
**Note:** To repeat the entire folder of the MP3 CD, tap the PLAY MODE BUTTON (#8) repeatedly until the REP DIR indicator lights on the LCD DISPLAY (# 1).
12. Tap the PLAY MODE BUTTON (#8) until the RND indicator light on the LCD display to play songs randomly.
13. Tap the PLAY MODE BUTTON (#8) until the INTRO indicator light on the LCD DISPLAY (#2) to play the first 10 seconds of each song on the disc.
14. To stop playing, tap the STOP ■ BUTTON (#5).
15. Press and hold the PLAY/OFF BUTTON (#6) to turn off the unit.

## PROGRAM OPERATION

This function allows the tracks to be played in a programmed sequence. Programs can be set in STOP mode.

1. Tap the PLAY MODE BUTTON (#8) once. The PROG. indicator will flash and Program Channel Number "01" will appear and the track number "01" will blink on the LCD DISPLAY (#2) to prompt for input.
2. Tap the ►► or ◀◀ BUTTONS repeatedly (#2 or #3) to select the track to be programmed. (For a MP3 CD, the folder number will show on the LCD DISPLAY)
3. Tap the PLAY MODE BUTTON (#8) again to store selection. The Program Channel No. will change to "02" and the track number "02" will blink to prompt for input
4. You may repeat steps 2 - 3 to program as many as 24 tracks.  
(For a MP3 CD, you may repeat steps 2 - 3 to program as many as 99 tracks.)
5. Tap PLAY/PAUSE ►|| BUTTON (#6) to start the programmed play
6. You may repeat the current programmed track or all programmed tracks by pressing the PLAY MODE BUTTON (#8) once or twice at programmed play mode.
7. Tap STOP ■ BUTTON (#5) once to stop playback.
8. Tap PLAY/PAUSE ►|| BUTTON (#6) to resume programmed play.
9. To cancel programmed play and, press the STOP ■ BUTTON (#5) twice.

## A-B REPEAT PLAYBACK

1. During playback, press REPEAT A-B BUTTON (#1) at the point where you want to start playing repeatedly.  
Repeat A- is displayed on the display.
2. Press REPEAT A-B BUTTON (#7) at the point where you want to stop playing repeatedly.  
Repeat A-B is displayed on the display and the specified section (point A to point B) is played back repeatedly.
3. Tap the STOP ■ BUTTON (#5) to clear the A-B repeat playback setting and stop playback.

## Anti-Shock Protection

This player incorporates an electronic anti-skip circuit to prevent interruption of the sound output when the unit is subjected to shock, vibration or rolling during CD playback. The anti-shock system will automatically activate when a disc is playing, the ESP indicator will appear in display and flashing.

Once anti-skip buffer is full, it will give you approximately 120 seconds of protection against interruption of sound output. If the player is subjected to shock or rolling for longer than the buffer memory, some interruption of sound output will occur. This is normal and to be expected and the sound will resume once the player has stabilized from the shock or rolling disturbance.

**Note:** The anti-skip function provides for continues sound output when the unit is subjected to shock or vibration. It will not compensate for errors arising from the use of defective, scratched or dirty discs.

## BSS Function

Tap the BBS ON/OFF BUTTON (#10) to turn on the BBS to enhance the bass effect of the music. Tap again to turn off the BSS.

## HOLD Function

To prevent accidental function changes during active use, this unit is fitted with a function hold. After the unit has been powered on and playing in CD, slide the HOLD SWITCH to ON position. HOLD INDICATOR will show on the LCD display (#1).

## Resetting the Unit

In case of malfunction due to electrostatic discharge, reset the unit by disconnecting the DC plug of the AC Adapter from its rear DC IN JACK (#15) and remove the batteries. Wait at least for 3 minutes before reconnecting the DC plug to the DC IN JACK (#15) or insert the batteries.

## Care and Maintenance

1. Clean your unit with a damp (never wet) cloth. Solvent or detergent should never be used.
2. Avoid leaving your unit in direct sunlight or in hot, humid or dusty places.
3. Keep your unit away from heating appliances and sources of electrical noise such as fluorescent lamps or motors.
4. If drop-outs or interruptions occur in the music during CD play, or if the CD fails to play at all, its bottom surface may require cleaning. Before playing, wipe the disc from the centre outwards with a good soft cleaning cloth.



## Trouble Shooting Guide

SYMPTOM	POSSIBLE CAUSE	SOLUTION
No sound	Battery no power	Replace all batteries with new ones.
	Volume set at minimum	Increase Volume.
CD player will not play	Unit not in CD mode	Switch to CD mode
	CD is installed incorrectly	Insert CD with label side up.
	Batteries become exhausted	Replace all batteries with new ones.
	It the CD is self-compiled, the media used may not be compatible with the player.	Use better quality blank media and retest.
CD skips while playing	Disc is dirty or scratched.	Wipe CD with clean cloth or use another disc.
	Dirty or defective disc	Clean or replace the defective disc
	Dirty pick up lens	Use a CD-lens cleaning disc to clean the lens
	Player is subject to excessive shock or vibration	Relocate the player away from shock or vibration
CD skips while playing	Batteries become exhausted	Replace all batteries with new ones.

### WARNINGS AND SAFETY INSTRUCTIONS:

WHEN USING ELECTRICAL APPLIANCES, BASIC SAFETY PRECAUTIONS SHOULD ALWAYS BE FOLLOWED:

- READ ALL INSTRUCTIONS BEFORE USE.
- FOR DOMESTIC INDOOR USE ONLY.
- DO NOT USE OUTDOORS OR FOR COMMERCIAL USE.
- BEFORE USE, CHECK THOROUGHLY FOR ANY DEFECTS AND DO NOT USE IF DEFECTS ARE FOUND. TAKE CARE NOT TO DROP THE APPLIANCE AS HEAVY IMPACTS MAY CAUSE INTERNAL DAMAGE.
- BEFORE CONNECTING THE APPLIANCE, CHECK IF THE VOLTAGE INDICATED ON THE BOTTOM OF THE APPLIANCE IS IN ACCORDANCE WITH THE MAINS VOLTAGE IN YOUR HOME.
- CHECK THE APPLIANCE AND POWER CABLE CAREFULLY FOR DAMAGE BEFORE EACH USE.

Head Office, 11 Bridge Street,  
Bishop's Stortford CM23 2JU  
Tel: 0844 482 4400\*  
Fax: 01279 756 595

[www.coopersofstortford.co.uk](http://www.coopersofstortford.co.uk)

**Coopers**  
OF STORTFORD

\*Calls cost 7 pence per minute plus your telephone company's network access charge

- THIS APPLIANCE CAN BE USED BY CHILDREN AGED FROM 8 YEARS AND ABOVE AND PERSONS WITH REDUCED PHYSICAL, SENSORY OR MENTAL CAPABILITIES OR LACK OF EXPERIENCE AND KNOWLEDGE IF THEY HAVE BEEN GIVEN SUPERVISION OR INSTRUCTION CONCERNING USE OF THE APPLIANCE IN A SAFE WAY AND UNDERSTAND THE HAZARDS INVOLVED. CHILDREN SHALL NOT PLAY WITH THE APPLIANCE. CLEANING AND USER MAINTENANCE SHALL NOT BE MADE BY CHILDREN WITHOUT SUPERVISION.
- CHILDREN OF LESS THAN 3 YEARS SHOULD BE KEPT AWAY UNLESS CONTINUOUSLY SUPERVISED.
- **SOME PARTS OF THIS PRODUCT CAN BECOME VERY HOT AND CAUSE BURNS. PARTICULAR ATTENTION HAS TO BE GIVEN WHERE CHILDREN AND VULNERABLE PEOPLE ARE PRESENT.**
- THE USE OF ANY ACCESSORY ATTACHMENTS NOT RECOMMENDED BY COOPERS OF STORTFORD MAY CAUSE INJURIES AND INVALIDATE ANY WARRANTY YOU MAY HAVE.
- DO NOT LET THE POWER CABLE HANG OVER THE EDGE OF A TABLE OR COUNTER, OR TOUCH HOT SURFACES.
- DO NOT PLACE ON OR NEAR HEAT SOURCES.
- USE ON A LEVEL, STABLE SURFACE.
- DO NOT COVER THE ITEM IN ANY WAY WHEN IN USE AS THIS MAY CAUSE OVERHEATING.
- DO NOT USE THIS APPLIANCE FOR ANY OTHER USE THAN THE INTENDED USE IT IS DESIGNED FOR.
- ENSURE THERE IS SUFFICIENT DISTANCE BETWEEN THIS APPLIANCE AND OTHER ITEMS ON THE WORK SURFACE OR WORK STATION, OR SUFFICIENT DISTANCE BETWEEN THE APPLIANCE AND THE CONFINES OF THE AREA IN WHICH IT IS SITUATED. WE RECOMMEND A MINIMUM CLEARANCE AROUND ALL FACES OF AT LEAST 10CM.
- TO PROTECT AGAINST ELECTRIC SHOCK, DO NOT IMMERSE POWER CABLE, PLUG OR APPLIANCE, IN WATER OR ANY OTHER LIQUID.
- UNPLUG FROM OUTLET WHEN NOT IN USE AND BEFORE CLEANING.
- DO NOT OPERATE ANY APPLIANCE WITH A DAMAGED POWER CABLE OR PLUG OR AFTER THE APPLIANCE MALFUNCTIONS, OR HAS BEEN DAMAGED IN ANY MANNER. WE RECOMMEND THAT THE POWER CABLE IS NOT KINKED OR STORED IN A TWISTED MANNER, AND THAT YOU REGULARLY CHECK ITS CONDITION.
- ANY REPAIRS MUST BE CONDUCTED BY A QUALIFIED ELECTRICIAN OR ELECTRICAL SERVICE AGENT.

#### CARE AND CLEANING INSTRUCTIONS

- Always switch off and unplug before cleaning.
- Do NOT immerse in water. Risk of electric shock.
- Do NOT use abrasive cleaners or sharp utensils to clean this appliance.
- Wipe surfaces with a soft dry cloth.
- Allow to dry thoroughly before further use.
- Store the appliance in a cool, dry place.

#### BATTERIES

- Keep batteries away from children and pets.
- Do not mix used and new batteries.
- Install batteries in accordance with its polarity symbols.
- Remove the batteries if left for long periods.
- Never dispose of batteries in a fire.
- Battery disposal, spent or expired batteries must be properly disposed of and recycled in compliance with local regulations. For detailed information, contact your local authority.
- Follow the battery manufacturer's safety, usage, and disposal instructions.

## DISPOSAL

- Dispose of all packaging, paper, cartons, plastic and plastic bags in accordance with your local recycling regulations.
- At the end of the product's lifespan please dispose of it at an authorised household WEEE waste recycling centre.

