

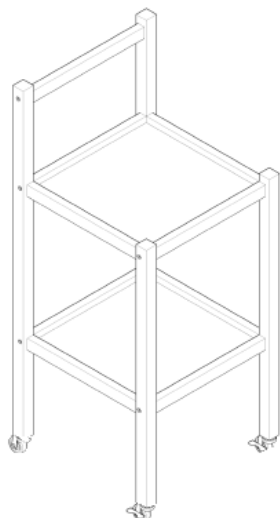
2 Tier Trolley

F945

Instructions for Use

Please read and retain these instructions for future reference

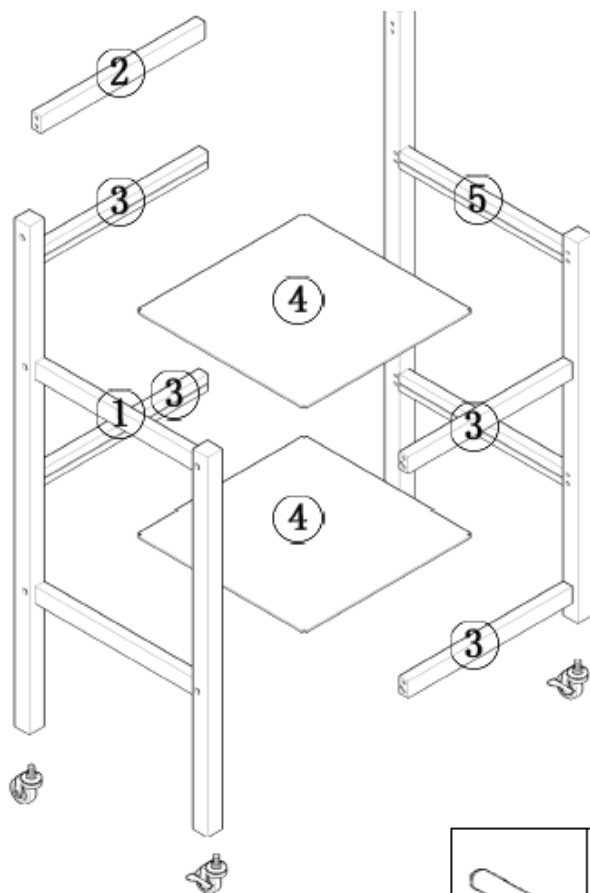
v001: 20/06/19

**Dimensions:**

96cm x40cm x40cm

Weight: 4.165Kgs approx.




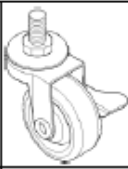
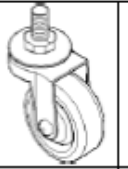

Max weight/load: 40kg



1. Left-hand side assembly x1
2. Horizontal top bar x1
3. Horizontal support bars x4
4. Shelves x2
5. Right hand side assembly x1

Attention:**Do not tighten screws until final fixing.**

1. When using an electric screwdriver (not included) to install the screws, please adjust the tap position to medium or above or use tool provided.
2. If you could not insert the screws into the holes with the electric screwdriver properly, please use the spanner (C) provided to tighten the screws by hand.
3. Apply a little pressure when inserting the plugs into the holes.
4. If the screws do not go in completely straight, this does not affect the assembly

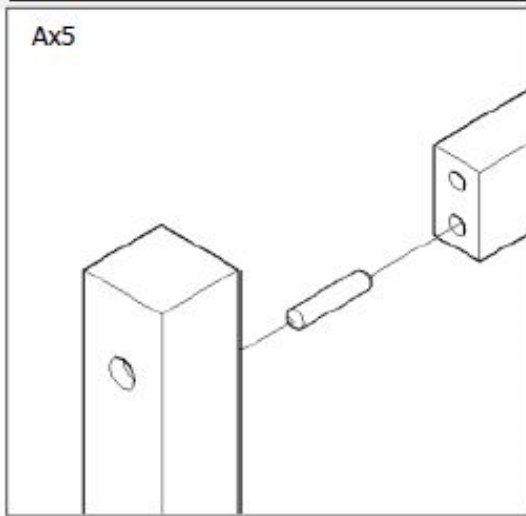
					
A x 10	B x 10	C x 1	D x 2	E x 2	F x 10

Head Office, 11 Bridge Street,
Bishop's Stortford CM23 2JU
Tel: 0844 482 4400*
Fax: 01279 756 595
www.coopersofstortford.co.uk

Coopers

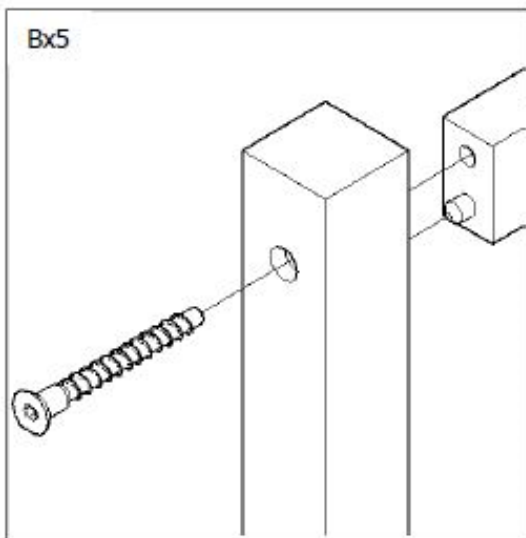
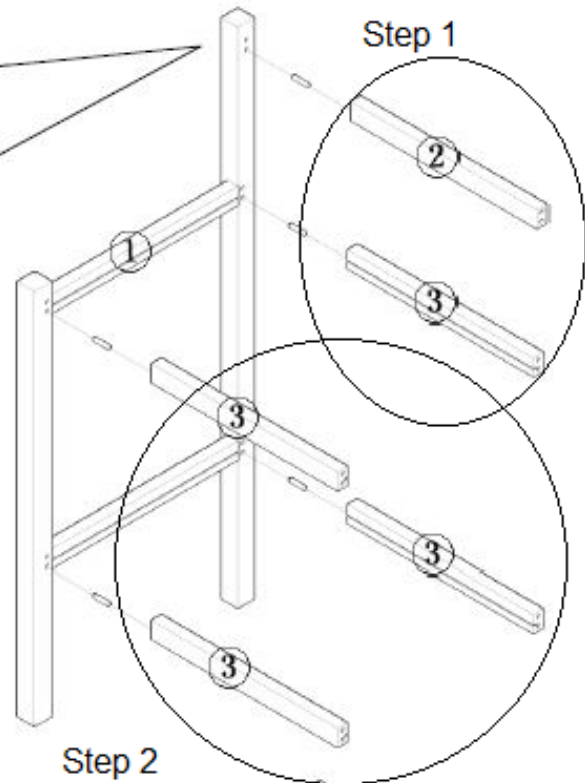
OF STORTFORD

*Calls cost 7 pence per minute plus your telephone company's network access charge

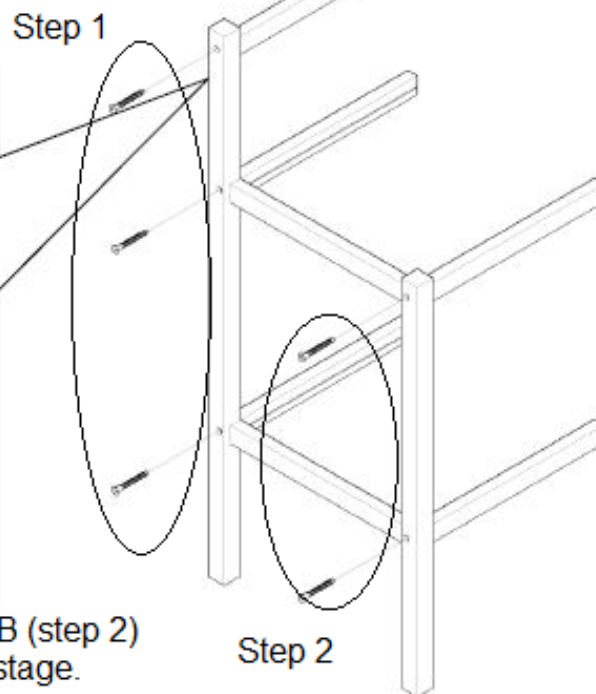


Step 1: Insert 1x part 2 and 1x part 3 into part 1 using part A where indicated.

Step 2: Insert 3x part 3 into part 1 using part A where shown.



Insert 3x part B (step 1) and 2x part B (step 2) where shown. Do not tighten at this stage.



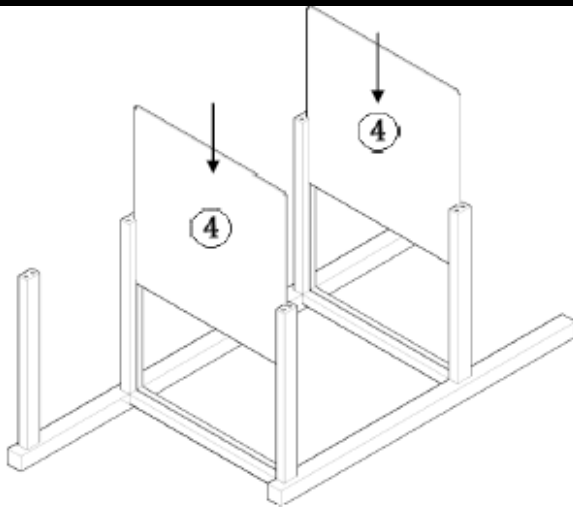
2 Tier Trolley

F945

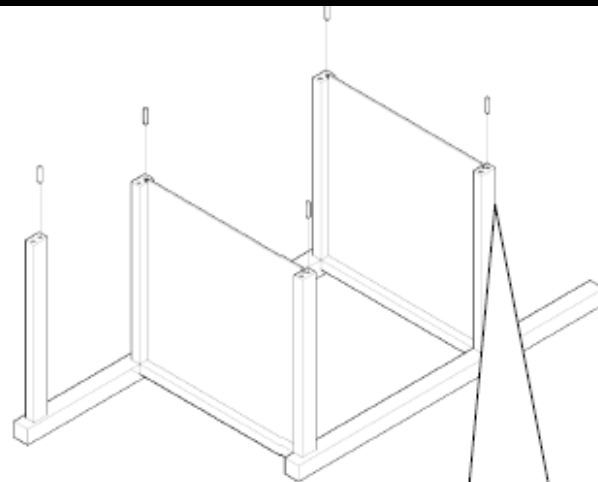
Instructions for Use

Please read and retain these instructions for future reference

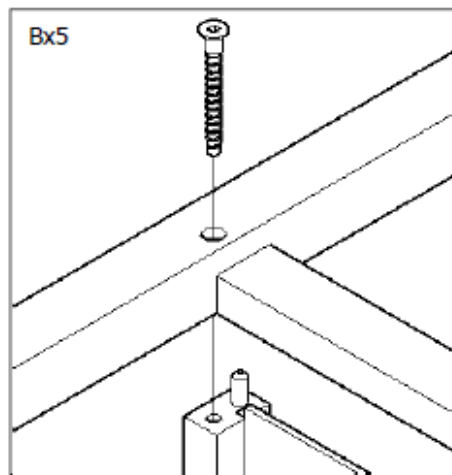
v001: 20/06/19



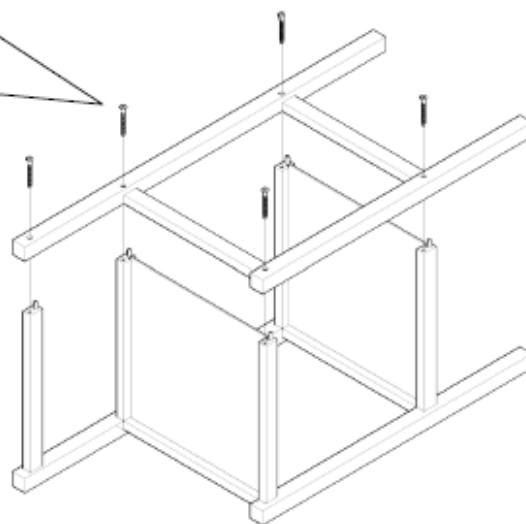
Slide 2x part 4 as shown.



Insert 5x part A where shown.



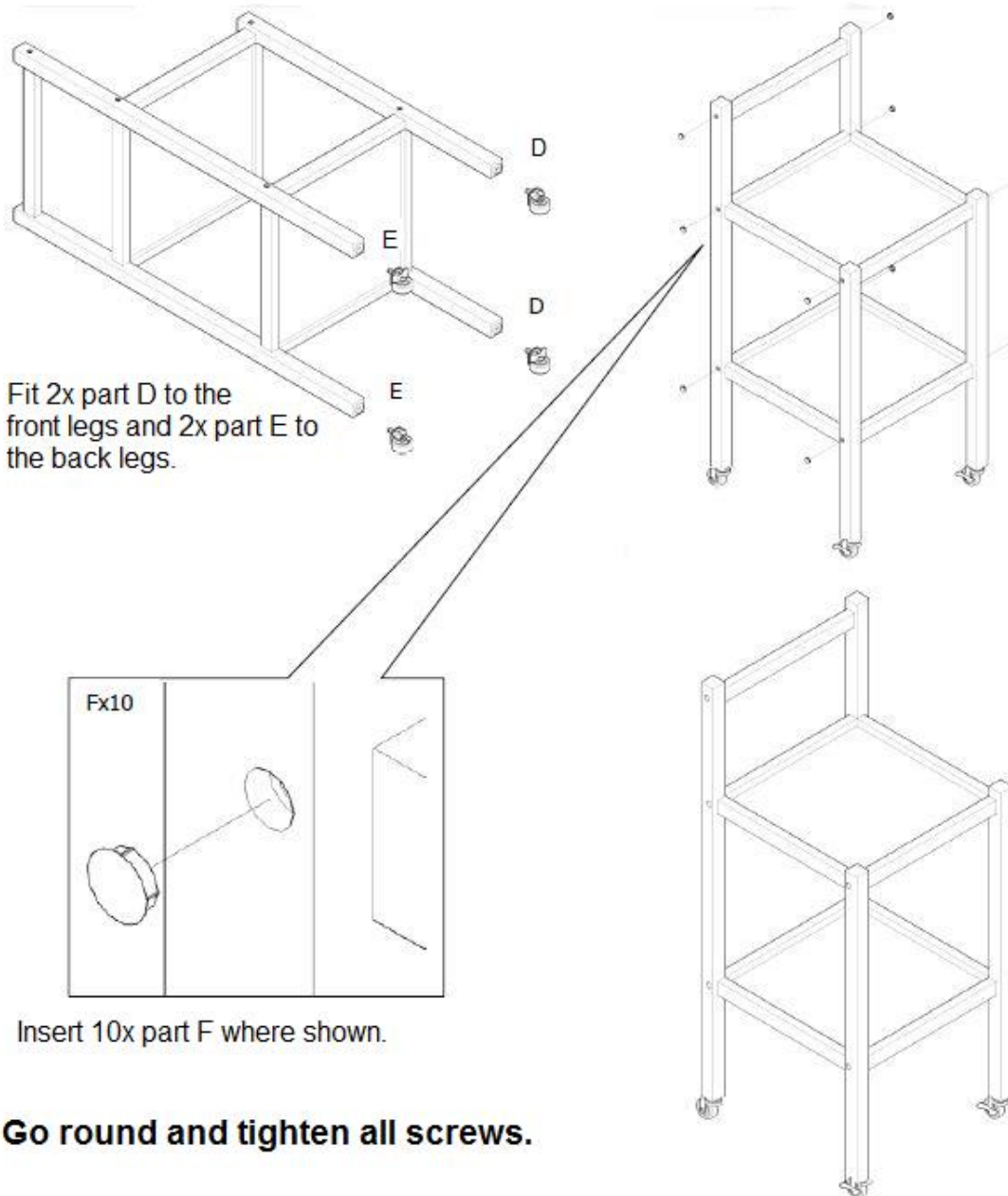
Fit part 5 to assembled parts using 5x part B.



Head Office, 11 Bridge Street,
Bishop's Stortford CM23 2JU
Tel: 0844 482 4400*
Fax: 01279 756 595
www.coopersofstortford.co.uk

Coopers
OF STORTFORD

*Calls cost 7 pence per minute plus your telephone company's network access charge



- Wipe with a clean damp cloth.

DISPOSAL

- Dispose of all packaging, paper, cartons, plastic and plastic bags in accordance with your local recycling regulations.
- At the end of the product's lifespan please dispose of it at an authorised household waste recycling centre.