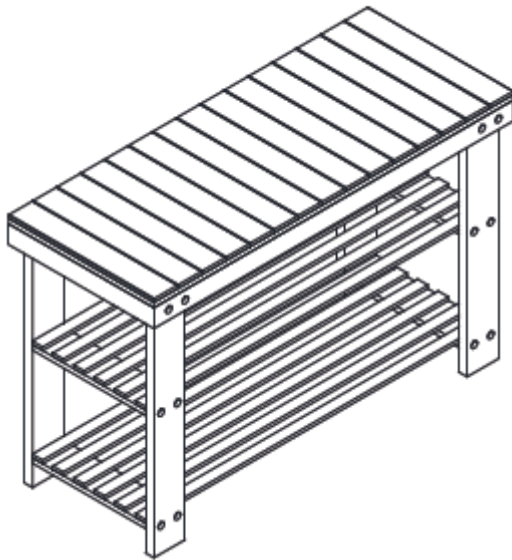


**Dimensions:**

Length: 67cm  
 Width: 28cm  
 Height: 16.51cm  
 Depth: 45cm

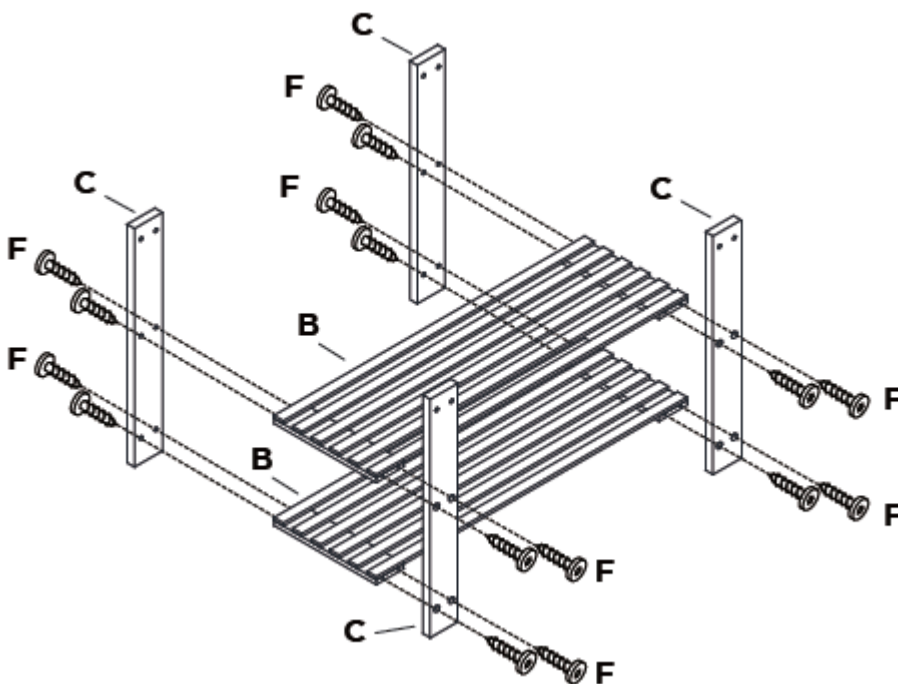
Max. weight load: 69.4kg

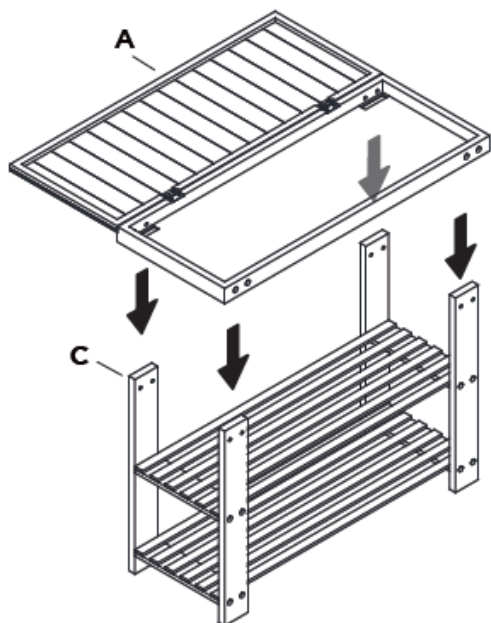


A X 1	B X 2	C X 4	D X 8
E X 8	F X 16	G X 1	

**Step 1**

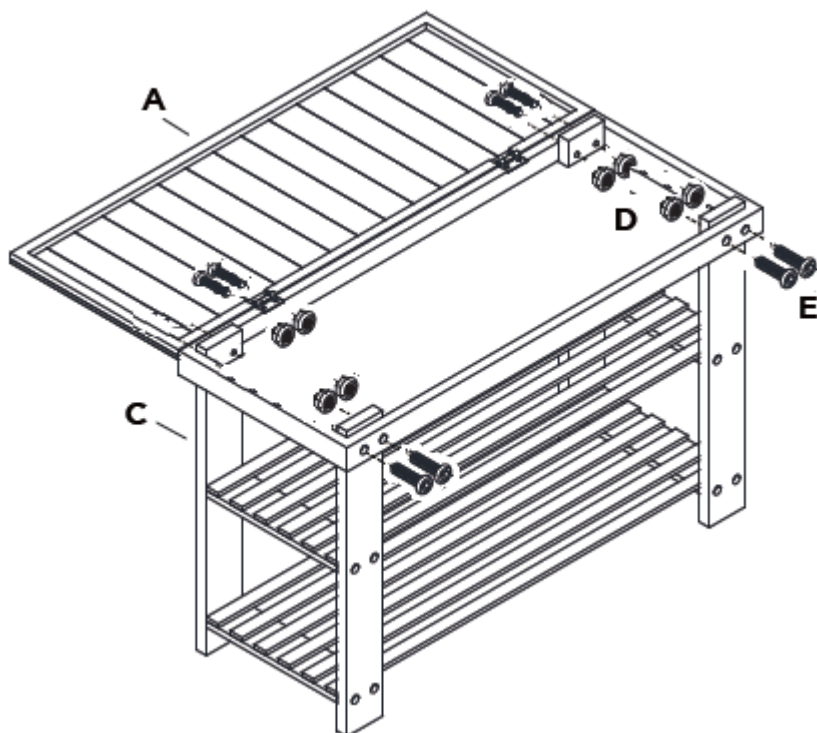
Connect parts C (x4) with parts B (x2) using screws F (x16)





### Step 2

Position part A (x1) onto assembled parts.



### Step 3

Fit part A using bolts E (x8) and nuts part D (x8). Bolts E should thread from the outside of the bench to the inside.

### CARE AND CLEANING INSTRUCTIONS:

- Wipe with a clean dry cloth.

### DISPOSAL

- Dispose of all packaging, paper, cartons, plastic and plastic bags in accordance with your local recycling regulations.

Please read and retain these instructions for future reference

v001: 07/05/19

- At the end of the product's lifespan please dispose of it at an authorised household waste recycling centre.

Head Office, 11 Bridge Street,  
Bishop's Stortford CM23 2JU  
Tel: 0844 482 4400\*  
Fax: 01279 756 595  
[www.coopersofstortford.co.uk](http://www.coopersofstortford.co.uk)

\*Calls cost 7 pence per minute plus your  
telephone company's network access charge

**Coopers**  
OF STORTFORD