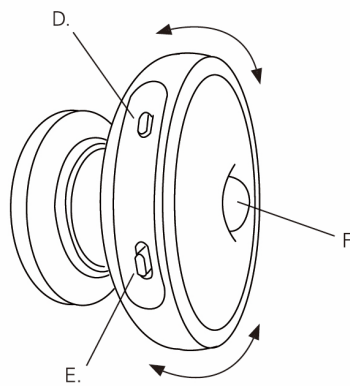
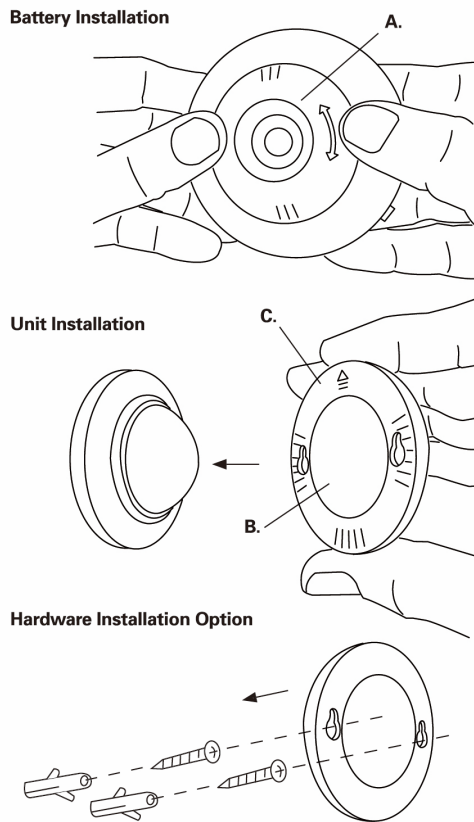


# Motion Sensor Ceiling Light



## How to Operate:

- Select front or back light (D).
- Select Auto, OFF, or ON (E). Note: Auto will turn light ON when sensor (F) detects motion and will turn OFF after 20 seconds.
- Swivel light in any direction, or detach from base to use as portable light.



### **Battery Installation:**

Rotate battery cover (A) to open and insert 3 AAA 1.5V batteries. Note: you may need to pry or pull battery cover (A) off to remove. Rotate to close.

### **Unit Installation:**

Place the adhesive on the backside of mounting plate (B). Install where desired. Note: if mounting vertically make sure arrow (C) is pointing upward.

### **Hardware Installation Option:**

- Select desired mounting area and mark drilling positions ensuring drilling points are level. Install mounting screws leaving  $\frac{1}{4}$ " space between screw head and wall.
- For use of optional wall anchors, pre-drill into drilling points and insert wall anchors prior to installing mounting screws.

\*Batteries are not included

## **Battery Warning:**

**Do not mix alkaline, standard (carbon-zinc) and rechargeable batteries (including hydride)**

**Do not mix old and new batteries**

**Exhausted batteries are to be removed**

**The supply terminals are not to be short-circuited**

**Only batteries of the same or equivalent type as recommended are to be used**

**Batteries are to be inserted with the correct polarity**

## **Battery Disposal:**

**The wheelie bin symbol indicates the product and batteries must not be disposed of in the domestic waste as they can contain substances that are damaging to the environment. Please use designated collection points or recycling facilities when disposing of the item or batteries. Batteries should be removed from the product.**

**Contact your local waste disposal agency or your retailer for further information**



Batch No: 4567915, Product Code: M192089

Made in China for S&S Enterprises Ltd. 26 Perivale Park Middlesex UB6 7RL

