



Powered by 2x CR2016 batteries (included)

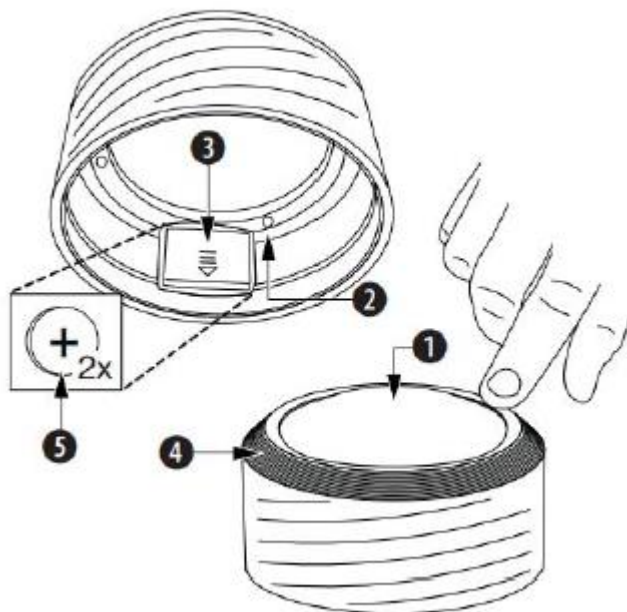
5x magnification and 5 LEDs

Parts

- (1) Lens
- (2) LED lighting
- (3) Battery compartment
- (4) Magnifying glass frame
- (5) Batteries back

How to use

1. Switch on the LED illumination (2) by pressing on the lens frame (4).
2. Press again to turn off the backlight.



Battery replacement

Slide open the battery compartment cover.

Insert two new CR2016 button cells batteries and remove the used ones. Slide cover back on.

Cleaning

- Remove batteries before cleaning. Do not use cleaning fluid directly.
- Protect the device from dust and moisture.
- Cover the lens with protective cover and store the device in the packaging.

Warning

Do not use this magnifying glass to look directly into the sun. Danger of blindness.

Do not look directly at the LEDs.

Do not expose the device to high temperatures.

BATTERIES

- Keep batteries away from children and pets.
- Do not mix used and new batteries.
- Remove the batteries if left for long periods.
- Never dispose of batteries in a fire.
- Battery disposal, spent or expired batteries must be properly disposed of and recycled in compliance with local regulations. For detailed information, contact your local authority.
- Follow the battery manufacturer's safety, usage, and disposal instructions.

