

# 2 in 1 Pencil Sharpener Letter Opener G113 Instructions for Use

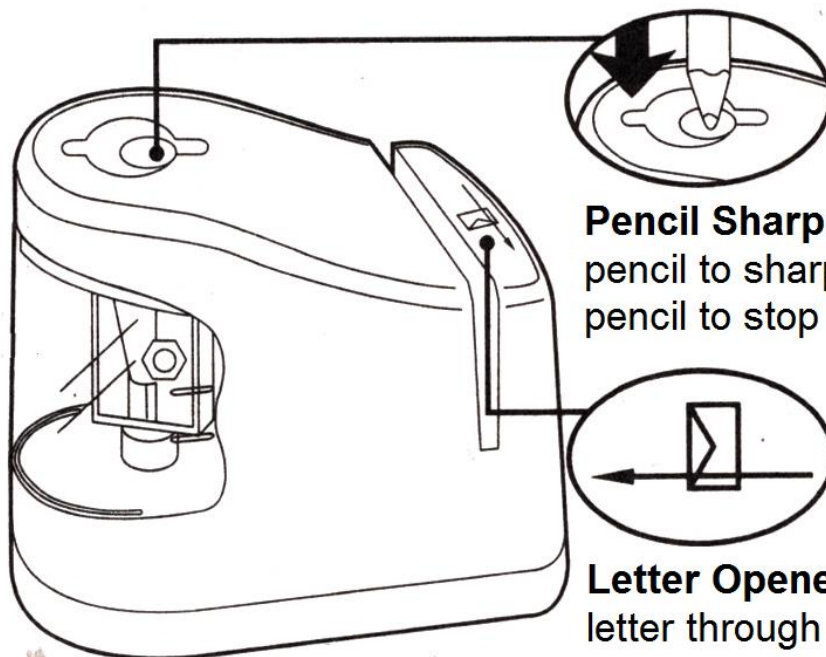
Please read and retain these instructions for future reference

v001: 04/06/19



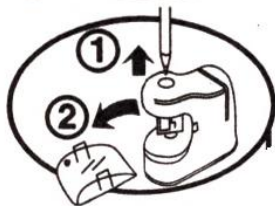
## TECHNICAL DETAILS

- Product Size: 8.9cm (H) x5.7cm (W) x8.9 cm (D).
- Power Details: 2x AA Batteries (not included)



**Pencil Sharpener:** Insert the pencil to sharpen. Release pencil to stop sharpening.

**Letter Opener:** Slide the letter through the gap in the direction of the arrow.



**Empty shavings:**  
Take out pencil,  
then remove the  
cover.



**WARNING:**

**DO NOT REMOVE** the cover  
without taking out the pencil or  
the sharpener will be operating  
with the cover on.

\*Calls cost 7 pence per minute plus your  
telephone company's network access charge

Head Office, 11 Bridge Street,  
Bishop's Stortford CM23 2JU  
Tel: 0844 482 4400\*  
Fax: 01279 756 595  
[www.coopersofstortford.co.uk](http://www.coopersofstortford.co.uk)

**Coopers**  
OF STORTFORD

# 2 in 1 Pencil Sharpener Letter Opener G113 Instructions for Use

Please read and retain these instructions for future reference

v001: 04/06/19

## BATTERIES

The battery compartment is on the bottom of the item. Push in the direction of the arrow to open.

- Keep batteries away from children and pets.
- Do not mix used and new batteries.
- Install batteries in accordance with its polarity symbols.
- Remove the batteries if left for long periods.
- Never dispose of batteries in a fire.
- Battery disposal, spent or expired batteries must be properly disposed of and recycled in compliance with local regulations. For detailed information, contact your local authority.
- Follow the battery manufacturer's safety, usage, and disposal instructions.

## DISPOSAL

- Dispose of all packaging, paper, cartons and plastic, plastic bags in accordance with your local recycling regulations.
- At the end of the product's lifespan please dispose of it at an authorised household WEEE waste recycling centre.



\*Calls cost 7 pence per minute plus your telephone company's network access charge

Head Office, 11 Bridge Street,  
Bishop's Stortford CM23 2JU  
Tel: 0844 482 4400\*  
Fax: 01279 756 595  
[www.coopersofstortford.co.uk](http://www.coopersofstortford.co.uk)

**Coopers**  
OF STORTFORD