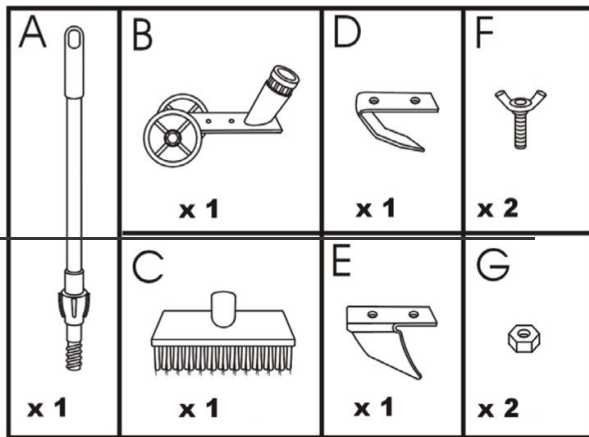




Wheeled Assist Patio Weed Remover

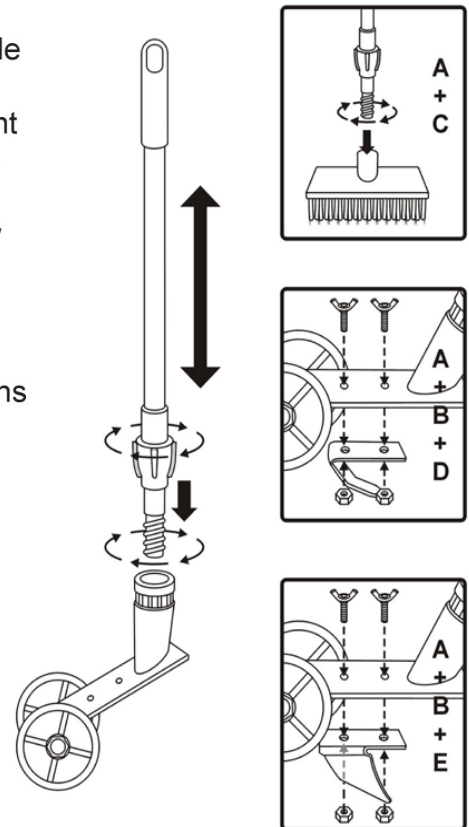
Please read carefully before use and keep for future reference

Items Supplied



- A** Telescopic handle
 - B** Base frame
 - C** Brush attachment
 - D** Scraper for wide crevices
 - E** Blade for narrow crevices
 - F** Screw
 - G** Nut
- Operating instructions

Assembly



Use

Depending on the crevice width, attach the scraper (D) or the blade (E) to the base frame (B) and pull it through the crevices. Sweep away the material removed from the crevices using the brush attachment (C).

Intended Use

This product is intended to be used to remove moss or weeds from between paving stones. The product is designed for personal use only and is not intended for commercial applications. The product should only be used as described in the operating instructions. Any other use is deemed to be improper.

Safety Notices

- Keep children and animals away from plastic bags and films. There is a danger of suffocation.
- Do not leave children unsupervised with the product. There is a danger of injury from inappropriate use.
- The tips of the product are sharp. Wear sturdy shoes to prevent accidents while using the product. You should always be attentive and careful when handling the product!
- Make sure you maintain a sufficiently safe gap so that the user and other people are not injured.
- Do not use the product if it is damaged.
- Do not make any changes to the product and accessories and do not attempt to repair it.
- Protect the product from: fire, persistent moisture and wet conditions.
- Do not use any additional accessories not recommended by the manufacturer.
- Do not lay or place any heavy objects on the product

Cleaning and Storage

Do not use any corrosive or abrasive cleaning agents! These can damage the surface. Wipe down the product with a damp cloth if necessary.

Store in a dry place out of the reach of children and animals.



Batch No: 4568256 Product Code: G192162

Made in China for S&S Enterprises Ltd. 26 Perivale Park Middlesex UB6 7RL