

**SPECIFICATIONS**

Tuner:	Frequency Range: FM 87.5 - 108 MHz
CD Player:	Type: Single disc multi-play compact disc player Signal readout: Non-contact, 3-beam semiconductor laser pickup D/A converter: Multi bit D/A converter Frequency response: 20 - 20,000 Hz USB host Interface: Complies with USB 1.1 (Full Speed)/2.0 Mass Storage Class. Support Bulk only and CBI protocol. Support file: MPEG 1 Layer 3 WMA (Non DRM) Bitrate support: MP3 (32 ~ 320 kbps) WMA (64 ~ 160 kbps)
General:	Speakers: 76cm (3.0 in) cone x 2 Speaker impedance: 8 Ω Output power: 1.5 W per channel, min. RMS driven into 4 Ω at 1 kHz with no more than 10% total harmonic distortions Input terminal: AUDIO IN (ϕ 3.5) x 1
Power Sources:	AC/DC adapter (Included) Input AC 100 – 240V ~ 50/60Hz Output DC 5V 1.2A Power stand-by: <1W Frequency band: 2.400GHz - 2.480GHz Compatible Bluetooth Profile: A2DP (Advanced Audio Distribution Profile), AVRCP (Audio/Video Remote Control Profile)Bluetooth 2.1 +EDR



CAUTION
RISK OF ELECTRIC SHOCK
DO NOT OPEN



Please read this instruction manual thoroughly before starting and ensure you are familiar with the operation of your new Vertical CD Player.

Specifications.....	1
GENERAL.....	3
Location of controls.....	4
System connections.....	6
Power sources	6
Getting started	6
Using the remote control correctly	7
Muting	7
FM Radio Operation	7
CD Disc Operation.....	8
Bluetooth Operation.....	9
USB Operation	10
Aux in Operation.....	11
Using Headphone (not included).....	11
Alarm Operation	11
Care of Compact Discs	12
Troubleshooting	12
WARNINGS AND SAFETY INSTRUCTIONS:	13
PLUG WIRING (UK & IRELAND)	14
BATTERIES.....	14
DISPOSAL	15

GENERAL

- Please ensure that the equipment is positioned in a well ventilated area and ensure that there is at least 10 cm (4") of free space along the sides and top of the equipment. 10 cm (4") 10 cm (4")
- Use the unit on a firm, level surface free from vibration.
- Place the unit at least 30 cm (12") away from any CRT TV to avoid colour variations across the TV screen. If the variations persist, move the unit further away from the TV. LCD TV is not prone to such variation.
- Keep the unit away from direct sunlight, strong magnetic fields, excessive dust, humidity and electronic/electrical equipment (home computers, facsimiles, etc.) which generate electrical noise.
- Do not place anything on top of the unit.
- Do not expose the unit to moisture, to temperatures higher than 40°C (104°F) or to extremely low temperatures.
- If your system does not work properly, disconnect the AC power lead from the wall socket. Plug the AC power lead back in, and then turn on your system.
- In case of an electrical storm, unplug the unit for safety.
- Hold the AC power plug by the head when removing it from the wall socket, as pulling the lead can damage internal wires.
- The AC power plug is used as a disconnect device and shall always remain readily operable.
- Do not remove the outer cover, as this may result in electric shock. Refer internal service to your local service facility.
- The ventilation should not be impeded by covering the ventilation openings with items, such as newspapers, tablecloths, curtains, etc.
- No naked flame sources, such as lighted candles, should be placed on the apparatus.
- Attention should be drawn to the environmental aspects of battery disposal.
- This unit should only be used within the range of 5°C - 35°C (41°F - 95°F).
- The apparatus is designed for use in moderate climates.
- The apparatus shall not be exposed to dripping or splashing and that no objects filled with liquids, such as vases, shall be placed on the apparatus.

CAUTION

Danger of explosion if battery is incorrectly replaced.

Replace only with the same or equivalent type.

The mains plug is used as the disconnect device, the disconnect device shall remain readily operable.

Warning:

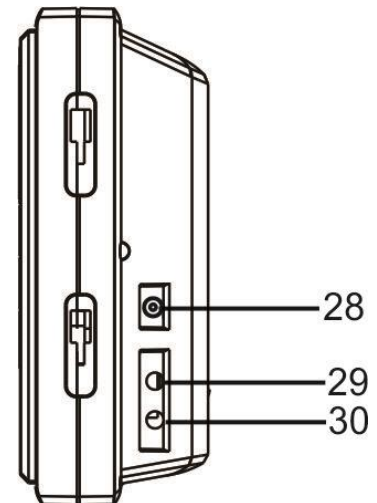
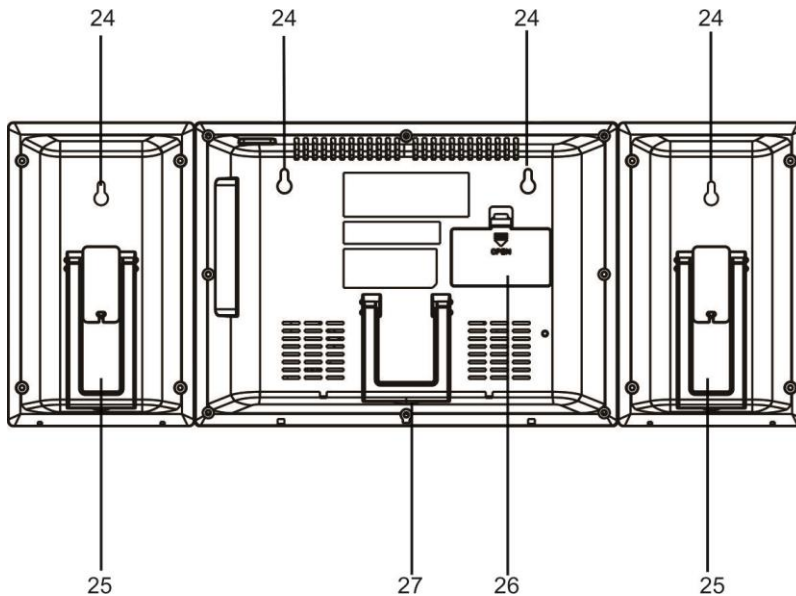
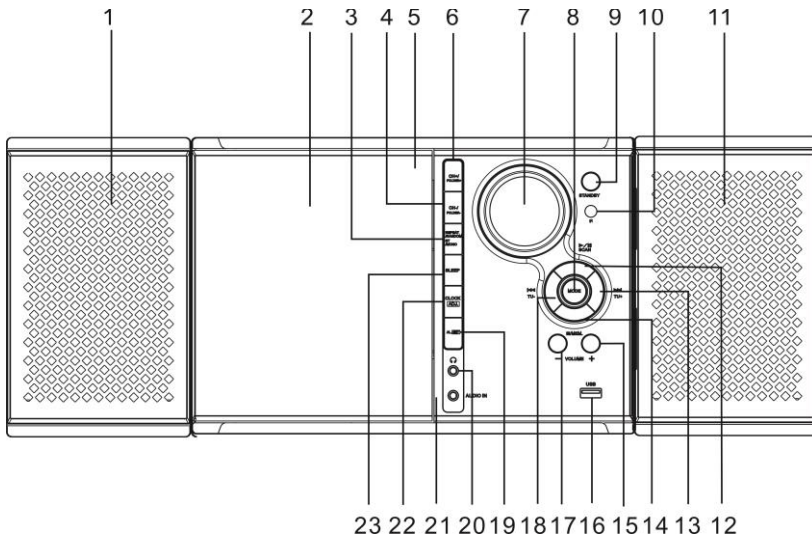
The voltage used must be the same as that specified on this unit. Using this product with a higher voltage other than that which is specified is dangerous and may result in a fire or other type of accident causing damage. Manufacturers will not be held responsible for any damage resulting from use of this unit with a voltage other than that which is specified.

VOLUME CONTROL

The sound level at a given volume setting depends on speaker efficiency, location, and various other factors. It is advisable to avoid exposure to high volume levels.

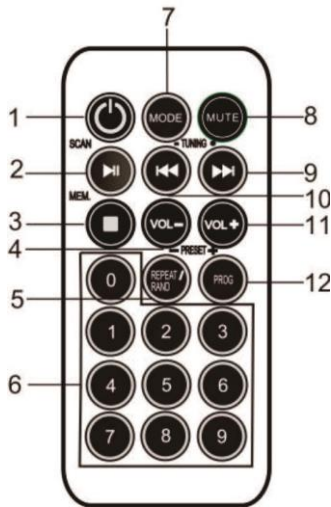
Do not turn the volume on to full at switch on. Listen to music at moderate levels. Excessive sound pressure from can cause hearing loss.

LOCATION OF CONTROLS



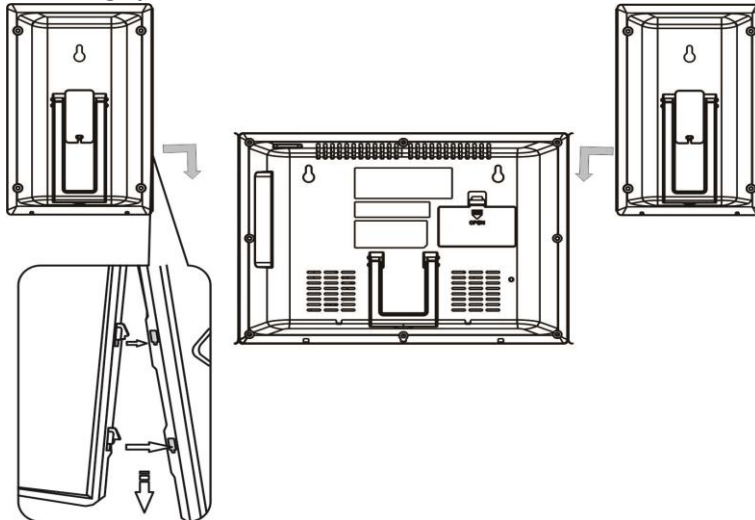
- | | | |
|--|--|-------------------------------|
| 1. Left speaker | 11. Right speaker | 21. Audio in Jack |
| 2. CD Door | 12. Play/Pause, FM Scan Button | 22. Clock set button |
| 3. Repeat/Random Button
FM.ST/Mono Button | 13. Skip/Search Forward, Tuner +
button | 23. Sleep button |
| 4. Preset-, Folder-Button | 14. CD Stop Button, Memory
Button | 24. Hanger holes |
| 5. CD Open/Close | 15. Volume+ Button | 25. L/R-Speaker support frame |
| 6. Preset+, Folder+ Button | 16. USB-Jack | 26. Battery door |
| 7. LCD-Display | 17. Volume- Button | 27. Support Frame |
| 8. Mode Button | 18. Skip/Search Backward/Tuner-
Button | 28. DC in Jack |
| 9. Standby Button | 19. AL(arm) Set button | 29. Left Speaker out jack |
| 10. Remote Sensor | 20. Phone jack | 30. Right Speaker out jack |

Remote control

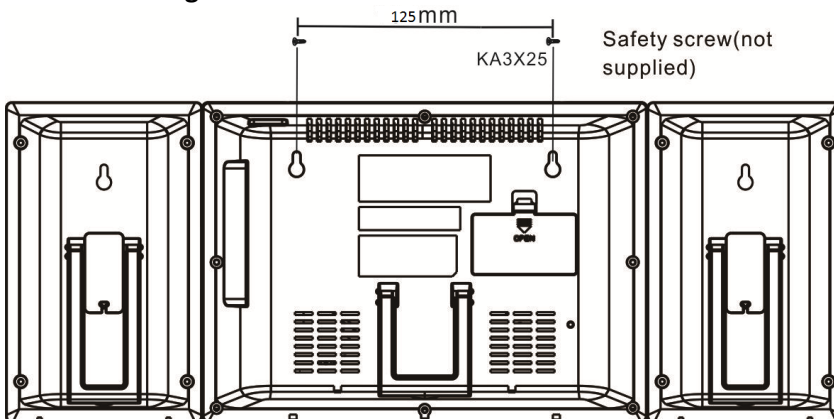


1. Standby button
2. Play/Pause/Scan Button
3. Stop / MEM Button
4. Volume Button
5. Repeat/Random/Preset- Button
6. Numeric Buttons
7. Mode Button

Installing speakers



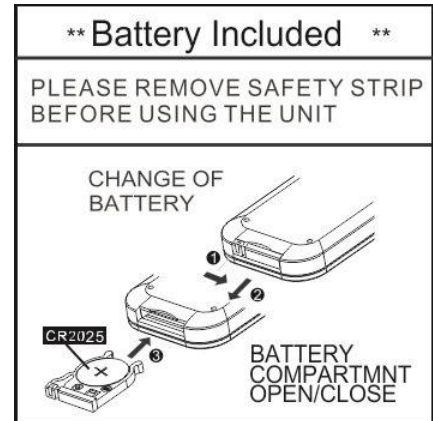
Wall mounting



B. INSTALLING BATTERIES INTO THE REMOTE CONTROL

The remote control operates on one CR2025 battery (included). To activate the remote control, remove the insulation tab inserted in the battery compartment. When the operation of the remote control becomes intermittent or unsatisfactory, replace the original battery with a new CR2025 lithium battery.

- 1.) Slide out the battery holder from the remote control case.
- 2.) Replace the 3V CR2025 battery. Be sure the battery is installed correctly.
- 3.) The remote will not work if the battery is installed with the wrong polarity.
- 4.) Insert the battery holder back into the battery slot.

**USING THE REMOTE CONTROL CORRECTLY**

Note: The Remote Control is only for operating the CD/USB ,AU,BT Player and Radio.

- Point the Remote Control at the remote SENSOR (IR) located on the front of the System.
- The functions of the remote buttons are the same as the corresponding controls on the main unit.
- The performance of the Infrared SENSOR may be degraded causing unreliable operation if there is strong ambient light source in the same room.
- The recommended effective distance for remote operation is about 10-15 feet.

MUTING

The volume is muted temporarily when pressing the MUTE button on the remote control. Press again to restore the volume.

FM RADIO OPERATION

1. Tap the **STANDBY Button** on main unit or remote control to turn on the unit.
2. Tap the **MODE Button** on main unit or remote control to select FM mode, the FM radio frequency appear in display.
3. To manually tune to a specific radio station, tap the **◀▶ Button** on either main unit or remote control repeatedly. Use the manual tuning method to tune in weaker stations that are bypassed during Automatic Tuning.
4. To automatically tune to the next available radio station, press and hold the **◀▶ Button** on main unit or remote control for 1-2 seconds until frequency readout on the display begins to scan and then release the button. The tuner will stop scanning when it receives the next broadcasting station of adequate signal strength.
5. Press the volume control on main unit or remote control to adjust the volume control to the desired volume level.

FM & FM Stereo reception

- When listening to the FM radio, press the **ST./MONO Button** on remote control to switch between stereo mode and mono mode. The FM stereo icon "ST" will appear on the display if unit is in stereo mode. It is preferable to receive the program in mono when you are receiving a weak station.

Hints for Best Reception

The receiver has a build-in FM wire antenna hanging from the back of the cabinet. This wire should be totally unwrapped and fully extended for the best reception.

NOTE: Automatic tuning depends on the signal strength of the broadcasting station, so weak stations may be skipped. You can manually tune to find the weak stations if a station gets skipped. With strong signals, the tuner may stop before it reaches the actual broadcast frequency, so you may need to manually tune for the best reception.

Hints

The unit with AUTO SEARCH function. In Radio mode, press SCAN Button, the unit will scan from lowest frequency to highest frequency in the selected frequency band. Those radio stations were found will be stored in the preset location start from P01.

Note:

1. There is a 5 seconds delay when programming, after 5 seconds, the unit will automatically switch back to normal tuner mode.
2. You can overwrite a present station by overwriting and storing the new frequency in its place.

PRESET RADIO STATIONS

1. Press the **STANDBY Button** on main unit or remote control to turn on the unit.
2. Tap the **MODE Button** on main unit or remote control to select FM radio mode.
3. Tune to the desired radio station either by "manually" or "automatically" tuning method.
4. Tap the **MEM. Button** on remote control to turn on the unit, the next available preset memory number flash in the LCD display. (Note:"P01" will blink in the display if you are programming preset for first time)
5. Tap the **PRESET+ or - Button** on remote control to select the preset number you want to assign the station to.
6. Tap the **MEM. Button** on remote control to confirm the setting.
7. Repeat above steps 3 - 6 to preset up to 20 FM stations.

RECALLING PRESET MEMORY CHANNELS

In radio mode, recall the pre-set channels by pressing the **PRESET + or - Button** on remote control repeatedly.

CD DISC OPERATION**DISC PLAY MODE**

1. Press the STANDBY button on the remote control or ON/OFF button to turn on the power on.
2. Press MODE button on the remote control or CD/USB button to turn on the CD mode.
3. Open the CD DOOR by pressing the CD DOOR at the "OPEN/CLOSE" mark located on the CD door, load a CD with the label side facing upward and then close the CD door.
4. CD playback will start from track 1 once the Player has finished reading the TOC. The PLAY INDICATOR will appear steadily on the LCD DISPLAY.
5. While playing, press the PLAY/PAUSE button to pause, the PAUSE indicator will appear steadily on the LCD DISPLAY. Press the PLAY/PAUSE button again to resume playing.
6. Adjust the volume using the VOLUME control.

PROCEDURE TO PLAYBACK MP3/WMA DISC

To play back CD-R/RW


Head Office, 11 Bridge Street,
Bishop's Stortford CM23 2JU
Tel: 0844 482 4400*
Fax: 01279 756 595

www.coopersofstortford.co.uk


Coopers
OF STORTFORD

*Calls cost 7 pence per minute plus your
telephone company's network access charge

PLAY MODE**REPEAT 1**

When the REPEAT button is pressed once, the repeat indicator "  " will appear and flash on the LCD DISPLAY. The current track will be played repeatedly

REPEAT ALL

When the REPEAT button is pressed twice, the repeat indicator "  " will appear steadily on the LCD DISPLAY. The whole disc will be played continuously.

RANDOM PLAY MODE

When the REPEAT button is pressed three times to enter Random Play Mode, RAND will appear on




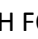
To Cancel Random Play:

Press the RANDOM button again. "RAND" indicator will disappear.

NOTE:



- If you press the button during random play, you can move to the track selected next by the random operation. On the other hand, the button does not allow you to move to the previous track. The beginning of the track being played will be located.
- In random play, the unit will select and play tracks automatically. (You cannot select the order of the tracks.)

SKIP AND SEARCH MODE

1. During Play or Pause mode, tap the SKIP FORWARD "  " or SKIP BACKWARD "  " Button to go to the next track or go back to the beginning of the current track.
2. During playback, press and hold the SEARCH FORWARD "  " or SEARCH BACKWARD "  " Buttons to search within the current track with audible high speed playback.

PROGRAMME SETTING

User can program up to 32 tracks in CD mode or 99 tracks in MP3 in any desired order. Programme mode is activated while in STOP mode.

1. Press the **PROG** button to enter programme mode.
2. Press the  or  buttons to select the track that you want to preset.
3. Press the **PROG** button to confirm the track.
4. Repeat steps 2-3 to programme more tracks. Once it is completed, press the PLAY/PAUSE button to start playback of the programmed tracks.

BLUETOOTH OPERATION

The unit has a Bluetooth function that can receive a signal within 8 metres.

Pairing the unit with a Bluetooth device to listen to music:

1. Press the STANDBY button on the remote control or STANDBY button to turn on the power on .
2. Press MODE button on the remote control or MODE button to turn on the BLUETOOTH mode.
3. If the unit is not paired with any Bluetooth device, the display will flash "BT".
4. Activate your Bluetooth device and select the search mode.
5. "G295" will appear on your Bluetooth device list.

6. Select "**G295**" and enter "**0000**" for the password if necessary.
7. To disconnect the Bluetooth function, press the **MODE** button to switch to another mode or disconnect the function from your Bluetooth device.


NOTE:

- If the signal strength is weak, your Bluetooth receiver may disconnect, but it will re-enter pairing mode automatically.
- For a better signal reception, remove the obstacles between the unit and the Bluetooth device.
- This unit supports A2DP (Advanced Audio Distribution Profile) and AVRCP (Audio Video Remote Control Profile) functions. This can only be paired with one Bluetooth device at one time.
- Compatibility with all devices and media types is not guaranteed.
- Some mobile phones with the Bluetooth function may connect and disconnect as you make and end calls. This is not an indication of a problem with your unit.


USB OPERATION

1. There is an USB socket located at the front of the unit. When a USB device is connected to the unit, press the **MODE** button repeatedly on the unit or press the **MODE** button on the remote control to select USB mode.
2. The unit will automatically display the total number of tracks.
3. All playback features are the same as if you were playing an MP3 CD.

REPEAT 1

When the REPEAT button is pressed once, the repeat "  " Indicator will appear and flash on the LCD DISPLAY. The current track will be played repeatedly

REPEAT ALL

When the REPEAT button is pressed twice, the repeat "  " indicator will appear steadily on the LCD DISPLAY. The whole disc will be played continuously.

RANDOM PLAY MODE

When the REPEAT button is pressed three times to enter Random Play Mode, RAND will appear on

To Cancel Random Play:

Press the RANDOM button again. "RAND" indicator will disappear.

NOTE:

- The unit can only play MP3 file format in USB operation.
- If your USB device is loaded with MP3's but the display keeps showing "NO" on the display, the format of your USB device might not be compatible with the unit.
- This unit supports USB versions 1.1 and 2.0.
- The unit can support USB devices with up to 32GB of memory.
- The unit may not be compatible with all USB devices and memory cards, this is not an indication of a problem with the unit.

AUX IN OPERATION

1. Use a connection lead to connect the portable audio player etc. to the AUDIO IN socket. When using video equipment, connect the audio output to this unit and the video output to a television.
2. Press the STANDBY button on the remote control or STANDBY button to turn on the power on.
3. Press the MODE button on the remote control or MODE button repeatedly on main unit to select AUDIO IN function.
4. Play the connected equipment. If volume level of the connected device is too high, sound distortion may occur. Should this happen, lower the volume of the connected device. If volume level is too low, increase the volume of the connected device.

NOTE: To prevent noise interference, place the unit away from the television.

USING HEADPHONE (NOT INCLUDED)

Inserting the plug of your headphone into the System's PHONE JACK will enable you to listen to the CD, radio or other music sources in private. When using headphone, the speakers will be automatically disconnected. Adjust the VOLUME +/- buttons to the desired volume level.

ALARM OPERATION**Setting the Alarm Clock**

This function allows the system to turn on automatically and wake you using a beeping alarm, the CD,USB, BUZ or FU.

1. In standby mode, hold the **AL.SET Button** for three seconds, then alarm time 00:00 will appear in display. Hour digits of alarm clock start flashing.
2. Press the **▶▶ / ◀◀ Button** to set the hour and then press the **AL.SET Button** again to confirm, Minute digits will be flashing.
3. Press the **▶▶ / ◀◀ Button** to set the minute and then press the **AL.SET Button** again to confirm, alarm wake up source will appear in display.
4. Press the **▶▶ / ◀◀ Button** to select wake to CD USB, Buzzer or radio, and then press the **AL.SET Button** again to confirm, alarm volume level will be flashing.
Note: Alarm volume level setting is not available in beeping alarm setting.
5. Press the **▶▶ / ◀◀ Button** to preset the wake up alarm volume level and then press the **AL.SET Button** to finish alarm setup.
6. To stop the Alarm before it shuts off, press STANDBY button once. The Alarm will stop but the alarm remains .

NOTE:

- 1.) If "Wake to CD,USB" is selected but a CD ,USB is not inserted, the alarm will default to the Beeping Alarm automatically when the alarm wake time is reached.
- 2.) For 'Wake to Radio", the system will default to the last radio station listened to before switching off.
- 3.) The volume of Alarm will be increased to the setting volume.

ACTIVE/DE-ACTIVE alarm FUNCTION

1. To active ALARM, tap the "**AL.SET Button**" **Button** once, the alarm icon "🔔" will be shown on LCD display.
2. To cancel ALARM function by tap again the "**AL.SET**" **Button** until the alarm icon "🔔" goes off.

SLEEP OPERATION

This function allows you to program the system to switch off itself after a set period of time. You can set

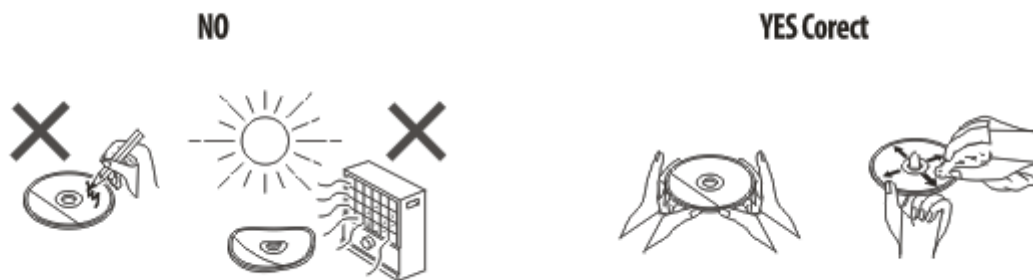
your sleep time in power on mode:

1. To activate the sleep function, press the SLEEP button, the display will show "Sleep Timer-OFF,120,90,60,45,30,20,10 " and flash.
2. When the display shows your desired sleep time, release the button, the sleep timer is now activated. The display will show "10" indicating "10 minutes" sleep time and so on. When the sleep time counts to zero, the unit will go off.
3. To cancel sleep, press the SLEEP button once again, the sleep function will turn off.

CARE OF COMPACT DISCS

Compact discs are fairly resistant to damage, however mistracking can occur due to an accumulation of dirt on the disc surface. Follow the guidelines below for maximum enjoyment from your CD collection and player.

- Do not write on either side of the disc, particularly the non-label side from which signals are read. Do not mark this surface.
- Keep your discs away from direct sunlight, heat, and excessive moisture.
- Always hold the CDs by the edges. Fingerprints, dirt, or water on the CDs can cause noise or mistracking. If a CD is dirty or does not play properly, clean it with a soft, dry cloth, wiping straight out from the centre, along the radius.



Maintenance

Cleaning the cabinet

Periodically wipe the cabinet with a soft cloth and a diluted soap solution, then with a dry cloth. Caution:

- Do not use chemicals for cleaning (petrol, paint thinner, etc.). It may damage the cabinet.
- Do not apply oil to the inside of the unit. It may cause malfunctions.

TROUBLESHOOTING

Symptom	Possible Cause
The radio makes unusual noises continuously.	<ul style="list-style-type: none"> • The unit is placed near the TV or computer? • Is the FM aerial placed properly? Move the aerial away from the AC power lead if it is located nearby.
The remote control does not operate.	<ul style="list-style-type: none"> • Is the AC power lead of the unit plugged in? • Is the battery polarity correct? • Is the battery dead? • Is the distance or angle incorrect? • Does the remote control sensor receive strong light?
<ul style="list-style-type: none"> • Disc playback does not start 	<ul style="list-style-type: none"> • Is the disc loaded facedown?

Head Office, 11 Bridge Street,
Bishop's Stortford CM23 2JU
Tel: 0844 482 4400*
Fax: 01279 756 595

www.coopersofstortford.co.uk

Coopers
OF STORTFORD

*Calls cost 7 pence per minute plus your telephone company's network access charge

Symptom	Possible Cause
<ul style="list-style-type: none"> Disc playback stops in the middle or is not performed properly 	<ul style="list-style-type: none"> Does the disc satisfy the standards? Is the disc distorted or scratched?
Disc playback sounds are skipped, or stopped in the middle of a track	<ul style="list-style-type: none"> Is the unit located near excessive vibrations? Is the disc very dirty? Has condensation formed inside the unit?
USB Device cannot be detected	<ul style="list-style-type: none"> Is there any MP3/WMA file available? Is the device properly connected? Is it an MTP device? Does the device contain AAC file only?
USB playback does not start	<ul style="list-style-type: none"> Is it a copyright protected WMA file? Is it a false MP3 file?
Bluetooth sound is interrupted or distorted	<ul style="list-style-type: none"> Is the unit near to a device that generates electromagnetic radiation? Is there any obstacle between the unit and the Bluetooth stereo audio source device?
No sound is heard.	<ul style="list-style-type: none"> Is the volume level set to "Min"? Are the headphones connected? Is the unit too far from the Bluetooth stereo audio source device? Is the unit paired with the Bluetooth stereo audio source device?
When a button is pressed, the unit does not respond.	Set the unit to the power stand-by mode and then turn it back on.

WARNINGS AND SAFETY INSTRUCTIONS:

WHEN USING ELECTRICAL APPLIANCES, BASIC SAFETY PRECAUTIONS SHOULD ALWAYS BE FOLLOWED:

- READ ALL INSTRUCTIONS BEFORE USE.
- FOR DOMESTIC INDOOR USE ONLY.
- DO NOT USE OUTDOORS OR FOR COMMERCIAL USE.
- BEFORE USE, CHECK THOROUGHLY FOR ANY DEFECTS AND DO NOT USE IF DEFECTS ARE FOUND. TAKE CARE NOT TO DROP THE APPLIANCE AS HEAVY IMPACTS MAY CAUSE INTERNAL DAMAGE.
- BEFORE CONNECTING THE APPLIANCE, CHECK IF THE VOLTAGE INDICATED ON THE BOTTOM OF THE APPLIANCE IS IN ACCORDANCE WITH THE MAINS VOLTAGE IN YOUR HOME.
- CHECK THE APPLIANCE AND POWER CABLE CAREFULLY FOR DAMAGE BEFORE EACH USE.
- THIS APPLIANCE CAN BE USED BY CHILDREN AGED FROM 8 YEARS AND ABOVE AND PERSONS WITH REDUCED PHYSICAL, SENSORY OR MENTAL CAPABILITIES OR LACK OF EXPERIENCE AND KNOWLEDGE IF THEY HAVE BEEN GIVEN SUPERVISION OR INSTRUCTION CONCERNING USE OF THE APPLIANCE IN A SAFE WAY AND UNDERSTAND THE HAZARDS INVOLVED. CHILDREN SHALL NOT PLAY WITH THE APPLIANCE. CLEANING AND USER MAINTENANCE SHALL NOT BE MADE BY CHILDREN WITHOUT SUPERVISION.
- CHILDREN OF LESS THAN 3 YEARS SHOULD BE KEPT AWAY UNLESS CONTINUOUSLY SUPERVISED.
- THE USE OF ANY ACCESSORY ATTACHMENTS NOT RECOMMENDED BY COOPERS OF STORTFORD MAY CAUSE INJURIES AND INVALIDATE ANY WARRANTY YOU MAY HAVE.
- DO NOT LET THE POWER CABLE HANG OVER THE EDGE OF A TABLE OR COUNTER, OR TOUCH HOT SURFACES.

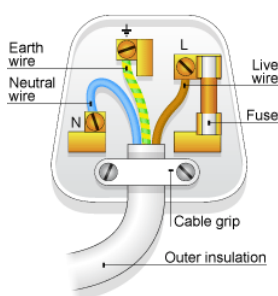
- DO NOT PLACE ON OR NEAR HEAT SOURCES.
- DO NOT USE THIS APPLIANCE FOR ANY OTHER USE THAN THE INTENDED USE IT IS DESIGNED FOR.
- ENSURE THERE IS SUFFICIENT DISTANCE BETWEEN THIS APPLIANCE AND OTHER ITEMS ON THE WORK SURFACE OR WORK STATION, OR SUFFICIENT DISTANCE BETWEEN THE APPLIANCE AND THE CONFINES OF THE AREA IN WHICH IT IS SITUATED. WE RECOMMEND A MINIMUM CLEARANCE AROUND ALL FACES OF AT LEAST 10CM.
- TO PROTECT AGAINST ELECTRIC SHOCK, DO NOT IMMERSIVE POWER CABLE, PLUG OR APPLIANCE, IN WATER OR ANY OTHER LIQUID.
- UNPLUG FROM OUTLET WHEN NOT IN USE AND BEFORE CLEANING.
- DO NOT OPERATE ANY APPLIANCE WITH A DAMAGED POWER CABLE OR PLUG OR AFTER THE APPLIANCE MALFUNCTIONS, OR HAS BEEN DAMAGED IN ANY MANNER. WE RECOMMEND THAT THE POWER CABLE IS NOT KINKED OR STORED IN A TWISTED MANNER, AND THAT YOU REGULARLY CHECK ITS CONDITION.
- ANY REPAIRS MUST BE CONDUCTED BY A QUALIFIED ELECTRICIAN OR ELECTRICAL SERVICE AGENT.

PLUG WIRING (UK & IRELAND)

This appliance is fitted with a BS 1363 **13-amp** plug. If you have to replace the fuse, only those that are ASTA or BSI approved to BS1362 and with a rated current of **13-amps** should be used. If there is a fuse cover fitted, this cover must be re-fitted after changing the fuse. If the fuse cover is lost or damaged the plug must not be used. Spare fuse holders and fuses are available from electrical outlets. If the socket outlets in your home or office are not suitable for this product's plug, the plug must be removed and disposed of safely. Attempts to insert the plug into the wrong socket is likely to cause electric hazard. A replacement plug should be wired according to the following instructions:

The cable

A mains electricity cable contains two or three inner wires. Each has a core of copper and an outer layer of flexible plastic. This product is double insulated; the wires in the plug are colour coded in the following way:



BLUE	NEUTRAL
BROWN	LIVE
GREEN & YELLOW	EARTH

The diagram shows the key features of a correctly wired three-pin mains plug.

Note:

Double insulated appliances do not need the green & yellow Earth wire. They may only have the Brown and Blue wires.


BATTERIES

- Keep batteries away from children and pets.
- Do not mix used and new batteries.
- Install batteries in accordance with its polarity symbols.
- Remove the batteries if left for long periods.
- Never dispose of batteries in a fire.
- Battery disposal, spent or expired batteries must be properly disposed of and recycled in compliance with local regulations. For detailed information, contact your local authority.
- Follow the battery manufacturer's safety, usage, and disposal instructions.

DISPOSAL

- Coopers of Stortford use recyclable or recycled packaging where possible.
- Please dispose of all packaging, paper, cartons, packaging in accordance with your local recycling regulations.
- Plastics, polybags – contains the following recyclable plastic.



Code & Symbol	 OTHER
Type of Plastic	ABS
Commonly used for	CD's, crisp packets, various flexible packaging, baby bottles, sunglass lenses
Notes	Not often or widely recycled

- At the end of the product's lifespan please check with your local council authorised household waste recycling centre for disposal.

