



### Technical Data

Factory Code:	M1E-10ET-460
Voltage/Frequency:	230V-240V/50Hz, IP20
Input Power:	550W
No Load Speed (Hedge Trimmer)	1600/rpm
Maximum Overall Length with 35mm Aluminium Telescopic Pole	2.45m
Minimum Overall Length with Telescopic Pole	1.85m
Length of Cutter Blade:	460mm (cutting Length)
Maximum Diameter Cut of the reciprocating Hedge Trimmer Blade	16mm
Minimum reach of Hedge Trimmer with pole/without pole:	2.21m/1.05m
Net weight:	4.25kg
Gross weight:	4.5kg
Length of Power Cable:	10m
Noise Level:	96dB
Vibration Level:	3m/s <sup>2</sup>
Main Body Casing Material:	ABS Material
Trimmer Head Adjustment:	Trimmer head can be adjusted from -67.5° to +45° vertically in 6 positions.
Switch Type:	Double safety switch




## Contents:

Technical Data.....	1
Intended Use.....	2
Explanation of symbols on your product .....	2
Safety instructions .....	3
Part Identification .....	7
Assembly .....	8
Application Range .....	10
Connection .....	10
Operation .....	11
Maintenance and Servicing.....	13
DECLARATION OF CONFORMITY.....	15

## Intended Use

This 2 in 1 Hedge Trimmer is intended for the cutting of hedges, shrubs, branches and grass coverings in private domestic gardens and allotments. Only use the 2 in 1 Hedge Trimmer intended purposes.

## Explanation of symbols on your product

	<p>Warning!</p>
	<p>Read the user instructions carefully to make sure you understand all the controls and what they do.</p>
	<p>Remove plug from the mains immediately if the cable is damaged or cut.</p>

	Do not expose to rain. Do not leave the product outdoors while it is raining.
	The use of eye protection is recommended.
	The use of ear protection is recommended.

### Safety instructions



If this product is not used properly it can be dangerous. The warnings and safety instructions must be followed to ensure reasonable safety and efficiency in using this product. The operator is responsible for following the warnings and instructions in this manual and on the product. Never use the product unless the guards provided by the manufacturer are in the correct position.



For safety reasons, children under the age of 16 and people not familiar with these operating instructions must not use this Hedge Trimmer. Persons with reduced physical or mental abilities may use the 2 in 1 Hedge Trimmer only if they are supervised or instructed by a responsible person.

### GENERAL POWER TOOL SAFETY WARNINGS



**WARNING! Read all safety warnings and all instructions.** Failure to follow the warnings and instructions may result in electric shock, fire and/or serious injury.

**Save all warnings and instructions for future reference.**

The term “power tool” in the warnings refers to your mains operated (corded) power tool or battery operated (cordless) power tool.

### Work area safety

- Keep work area clean and well lit.** Cluttered or dark areas invite accidents.
- Do not operate power tools in explosive atmospheres, such as in the presence of flammable liquids, gases or dust.** Power tools create sparks which may ignite the dust or fumes.
- Keep children and bystanders away while operating a power tool.** Distractions may cause an accident.

**Electrical safety:**

- a. Power tool plugs must match the outlet. Never modify the plug in any way. Do not use any adaptor plugs with earthed power tools. Unmodified plugs and matching outlets will reduce risk of electric shock.
- b. Avoid body contact with the earthed or grounded surfaces, such as pipes, radiators, ranges and refrigerators. There is an increased risk of electric shock if your body is earthed or grounded.
- c. Do not expose power tools to rain or wet conditions. Water entering a power tool will increase the risk of electric shock.
- d. Do not abuse the cord. Never use the cord for carrying, pulling or unplugging the power tool. Keep cord away from heat, oil, sharp edges or moving parts. Damaged or entangled cords increase the risk of electric shock.
- e. When operating a power tool outdoors, use an extension cord suitable for outdoor use. Use of a cord suitable for outdoor use reduces the risk of electric shock.
- f. If operating a power tool in a damp location is unavoidable, use a residual current device (RCD) protected supply. Use of an RCD reduces the risk of electric shock.

**Personal Safety:**

- a. Stay alert, watch what you are doing and use common sense when operating a power tool. Do not use a power tool while you are tired or under the influence of drugs, alcohol or medication. A moment of inattention while operating power tools may result in serious personal injury.
- b. Use personal protective equipment. Always wear eye protection. Protective equipment such as dust mask, non-skid safety shoes, hard hat, or hearing protection used for appropriate conditions will reduce personal injuries.
- c. Prevent unintentional starting. Ensure the switch is in the off-position before connecting to power source and/or battery pack, picking up or carrying the tool. Carrying power tools with your finger on the switch or energising power tools that have the switch on can cause an accident.
- d. Remove any adjusting key or wrench before turning the power tool on. A spanner or an Allen key left attached to a rotating part of the power tools may result in personal injury.
- e. Do not overreach. Keep proper footing and balance at all times. This enables better control of the power tool in unexpected situations.
- f. Dress properly. Do not wear loose clothing or jewellery. Keep your hair, clothing and gloves away from moving parts. Loose clothes, jewellery or long hair can be caught in moving parts.
- g. If devices are provided for the connection of dust extraction and collection facilities, ensure these are connected and properly used. Use of dust collection can reduce dust-related hazards.

**Power tool use and care**

- a. Do not force the power tool. Use the correct power tool for your application. The correct power tool will do the job better and safer at the rate for which it was designed.
- b. Do not use the power tool if the switch does not turn it on and off. Any power tool that cannot be controlled with the switch is dangerous and must be repaired.
- c. Disconnect the plug from the power source and/or the battery pack from the power tool before making any adjustments, changing accessories, or storing power tools. Such preventive safety measures reduce the risk of starting the power tool accidentally.

- d. Store idle power tools out of the reach of children and do not allow persons unfamiliar with the power tool or these instructions to operate the power tool. Power tools are dangerous in the hands of untrained users.
- e. Maintain power tools. Check for misalignment or binding of moving parts, breakage of parts and any other condition that may affect the power tool's operation. If damaged, have the power tool repaired before use. Many accidents are caused by poorly maintained power tools.
- f. Keep cutting tools sharp and clean. Properly maintained cutting tools with sharp cutting edges are less likely to bind and are easier to control.
- g. Use the power tool, accessories and tool bits etc. in accordance with these instructions, taking into account the working conditions and the work to be performed. Use of the power tool for operations different from those intended could result in a hazardous situation.

**Service:**

- **Have your power tool serviced by a qualified repair person using only identical replacement parts.** This will ensure that the safety of the power tool is maintained.

**2 in 1 Hedge Trimmer Warnings**

- **Keep all parts of the body away from the cutter blade. Do not remove cut material or hold material to be cut when blades are moving. Make sure the machine is unplugged from the power supply when clearing jammed material.** A moment of inattention while operating the trimmer may result in serious personal injury.
- **Carry the Hedge Trimmer by the handle with the cutter blade stopped. When transporting or storing the hedge trimmer always fit the cutting device cover.** Proper handling of the pole hedge trimmer and branch lopper will reduce possible personal injury from the cutter blades.
- **Hold the power tool by insulated gripping surfaces only, because the cutter blade may contact hidden wiring or its own cord.** Cutter blades contacting a "live" wire may make exposed metal parts of the power tool "live" and could give the operator an electric shock.
- **Keep cable away from the cutting area.** During operation the cable may be hidden in shrubs and can be accidentally cut by the blade.

**Additional Safety Recommendations****Work area safety:**

- Only use the product in the manner and for the functions described in these instructions. The operator or user is responsible for accidents or hazards occurring to other people or their property.

**Electrical safety:**

- The British Standard Institute recommends the use of Residual Current Device (R.C.D.) with a tripping current of not more than 30mA. Check your R.C.D. every time you use it. Before use, examine the mains power cable for damage – if it is damaged to not use it.
- Do not use the product if the electric cables are damaged or worn.
- Immediately disconnect from the mains electricity supply if the cable is cut, or the insulation is damaged. Do not touch the electric cable until the electrical supply has been disconnected.

- Your electric cable must be untangled. Tangled cables can overheat and reduce the efficiency of your product.
- Always switch off at the mains before disconnecting any plug, cable connector or extension cable.
- Switch off, remove plug from mains and examine electric supply cable for damage or ageing before winding cable for storage. Do not repair a damaged cable. Replace it with a new one.
- Always wind cable carefully, avoiding kinking.
- Use only on AC mains supply voltage shown on the product rating label.
- Under no circumstances should an earth be connected to any part of the product. This product is double insulated and does not require an earth.

## Cables

- Use only permitted extension cables as per HD 516. Ask you electrical specialist.

## Personal safety

- Always wear suitable clothing, gloves and shoes.
- Thoroughly inspect the area where the product is to be used and remove all wires and other foreign objects.
- All adjustments (turning the blade unit, inclining the blade head) should be made with protective sheath in place, and the Hedge Trimmer must not rest on the blade in the process.
- Before using the product and after any impact, check for signs of wear or damage and repair as necessary.
- Before using the Hedge Trimmer, always make sure that the hand guard provided is fitted.
- Never attempt to use an incomplete product or one with an unauthorised modification. Incomplete or modified products are potentially dangerous and will invalidate your guarantee.

## Power tool use and care

- Know how to stop the product quickly in an emergency.
- Never hold the product by the guard.
- Do not use the product if the protection equipment (hand protection, 2-hand safety switch, protection cover, quick blade stop) are damaged.
- Do not use ladders whilst operating the product.

## Remove the plug from the mains

- Before leaving the product unattended for any period.
- Before clearing a blockage.
- Before checking, cleaning or working on the appliance.
- If you hit an object. Do not use your product until you are sure that the entire product is in a safe operating condition.
- If the product starts to vibrate abnormally, check immediately. Excessive vibration can cause injury.
- Before passing to another person.

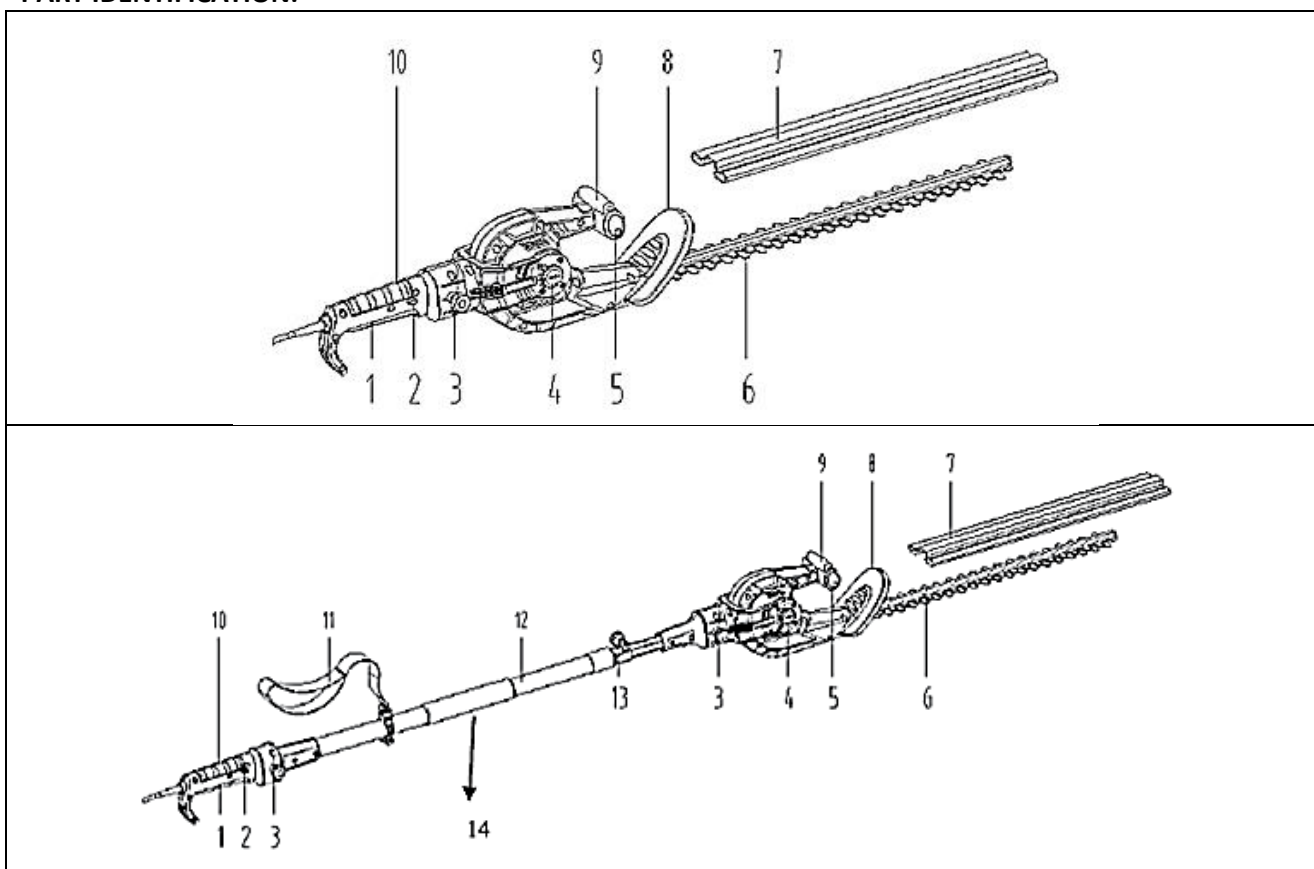
### MAINTENANCE AND STORAGE:



### RISK OF INJURY!

- Do not touch blades.
- When finishing or interrupting work fit protective cover.
- Keep all nuts, bolts and screws secure to be sure the 2 in 1 Hedge Trimmer is in a safe working condition.
- Store disconnected, in a safe dry environment out of the reach of children.

### PART IDENTIFICATION:



1	Throttle control button	11	Should strap
2	Lock-off button	12	Aluminium Telescopic Pole
3	Hand-tighten knob	13	Locking knob
4	Trimmer head angle adjustment button	14	Eva sponge padding
5	Front handle		
6	Trimmer blade		
7	Blade guard		
8	Safety Guard		
9	Front handle switch		
10	Rear handle		



**ASSEMBLY****Unpacking**

- This product requires assembly.
- Carefully remove the product from the box.
- Inspect the product carefully to make sure no breakage or damage has occurred during shipping.
- Do not discard the packing material until you have carefully inspected and satisfactorily operated the product.

•  
Check all parts have been supplied.

**Warning:**

If any parts are damaged or missing, do not operate this product until the parts are replaced. Failure to follow this warning could result in serious personal injury.

**Warning:**

Do not attempt to modify this product or create accessories not recommended for use with this product. Any such alteration or modification is misuse and could result in hazardous condition leading to possible serious personal injury.

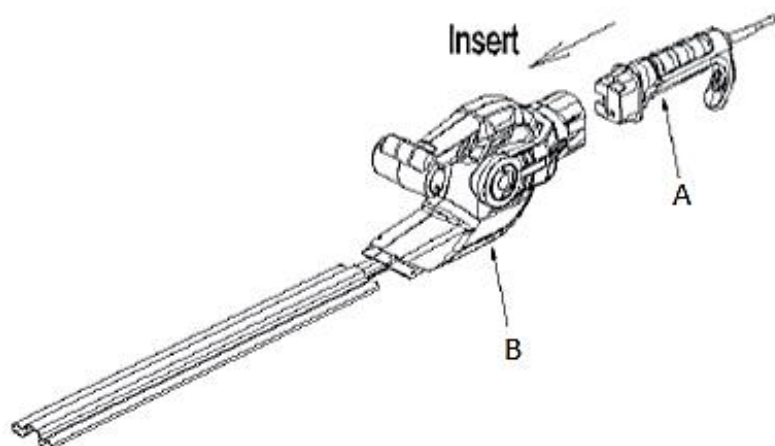
**Warning:**

Do not connect to power supply until assembly is complete. Failure to comply could result in accidental starting and possible serious personal injury.

**Note:** The Hedge Trimmer can be used with or without the telescopic extension handle. See below for both assembly methods.

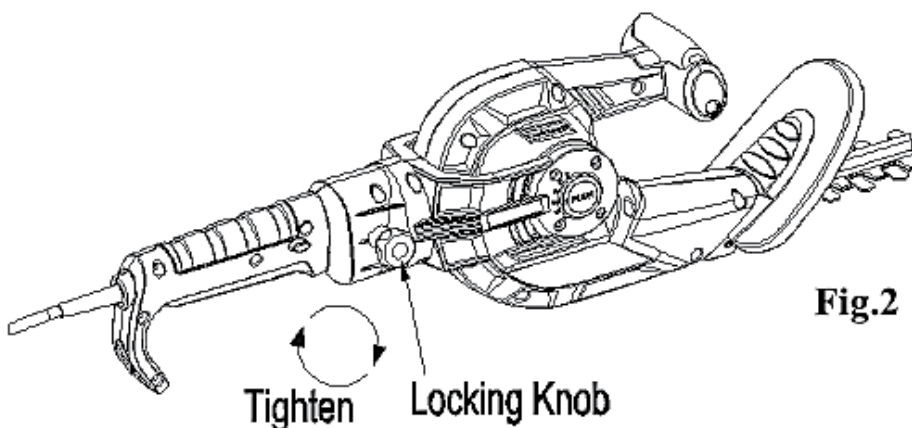
**Using as a short-reach hedge trimmer**

1. Insert the rear handle (A) into the trimmer head (B) (see Fig. 1)

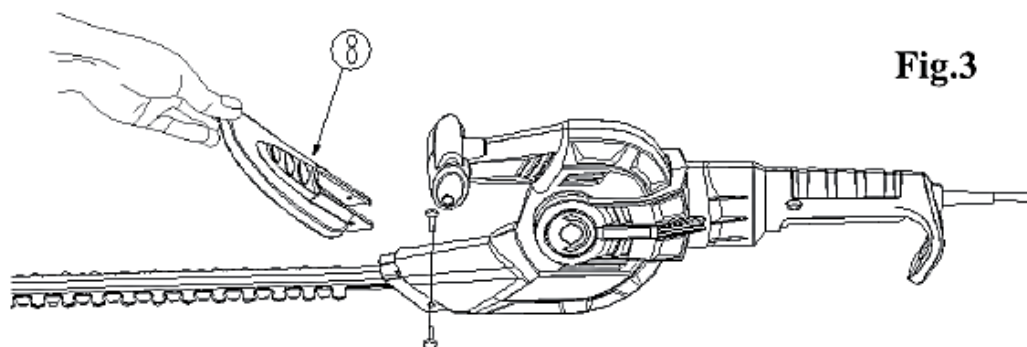
**Fig.1**



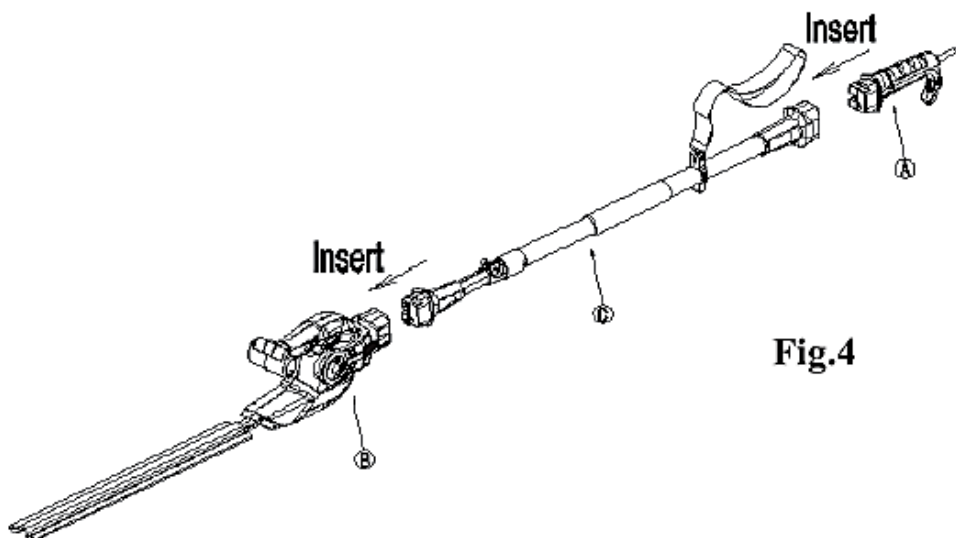
2. Tighten with locking knob. Make sure that connection is secured tightly. (see Fig. 2).



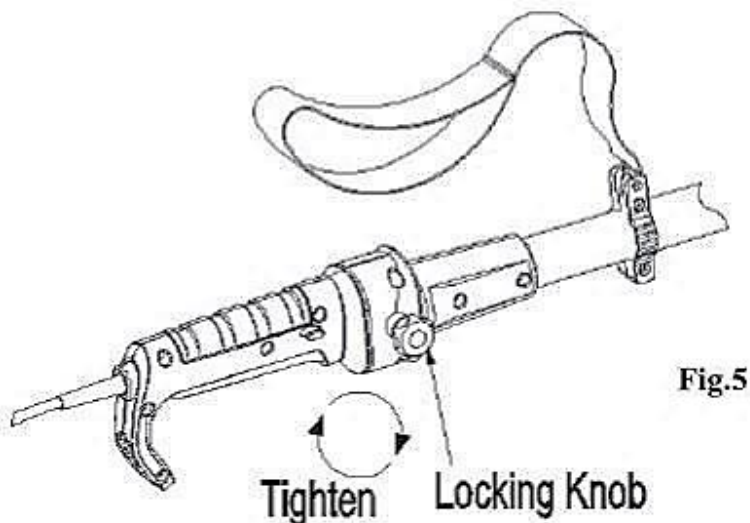
3. Insert the guard (8) into the socket as illustrated in Fig. 3, and use the two screws to fix the guard in place (see Fig. 3)



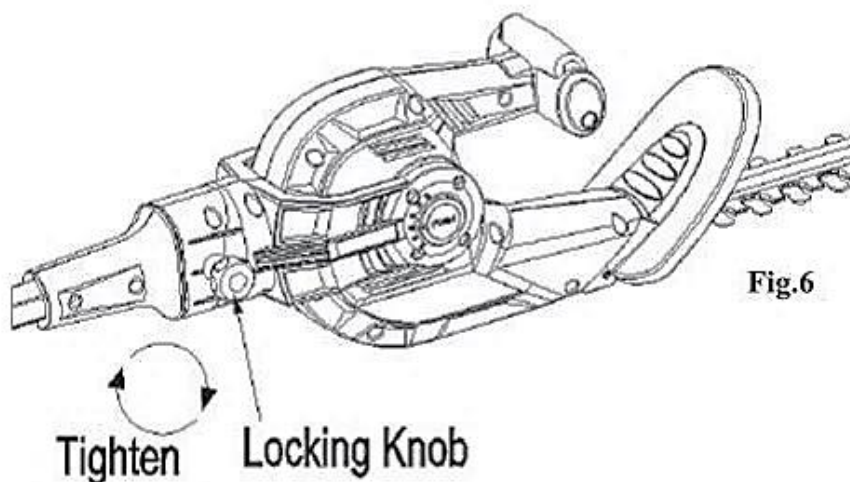
4. Alternatively you can use the Hedge Trimmer with the telescopic handle. Insert the rear handle (A) into the telescopic extension handle (C), then insert the telescopic extension handle into the trimmer head (B) (see Fig. 4).



5. Tighten with locking knob. Make sure that connection is secured tightly (see Fig. 5)



6. Tighten with locking knob. Make sure that connection is secured tightly (see Fig. 6).



### Application Range

The Hedge Trimmer is designed for cutting and trimming hedges, branches, bushes and shrubs around your garden or allotment. Any other usage will invalidate the guarantee.

The Hedge Trimmer is designed for use by adults. Adolescents over 16 years may use it only under supervision. **DO NOT USE this machine in the rain or damp conditions.**

The operator or user is responsible for accidents or damage to other people or their property. The manufacturer is not liable for any damage caused due to incorrect operation.

### Connection

This machine may only be connected to single-phase 230V AC 50Hz UK mains outlet. Ensure that the mains voltage is the same as the operating voltage indicated on the rating plate.

**OPERATION:****WARNING:**

Do not allow familiarity with this product to make you careless. Remember that a careless fraction of a second is sufficient to inflict serious injury.



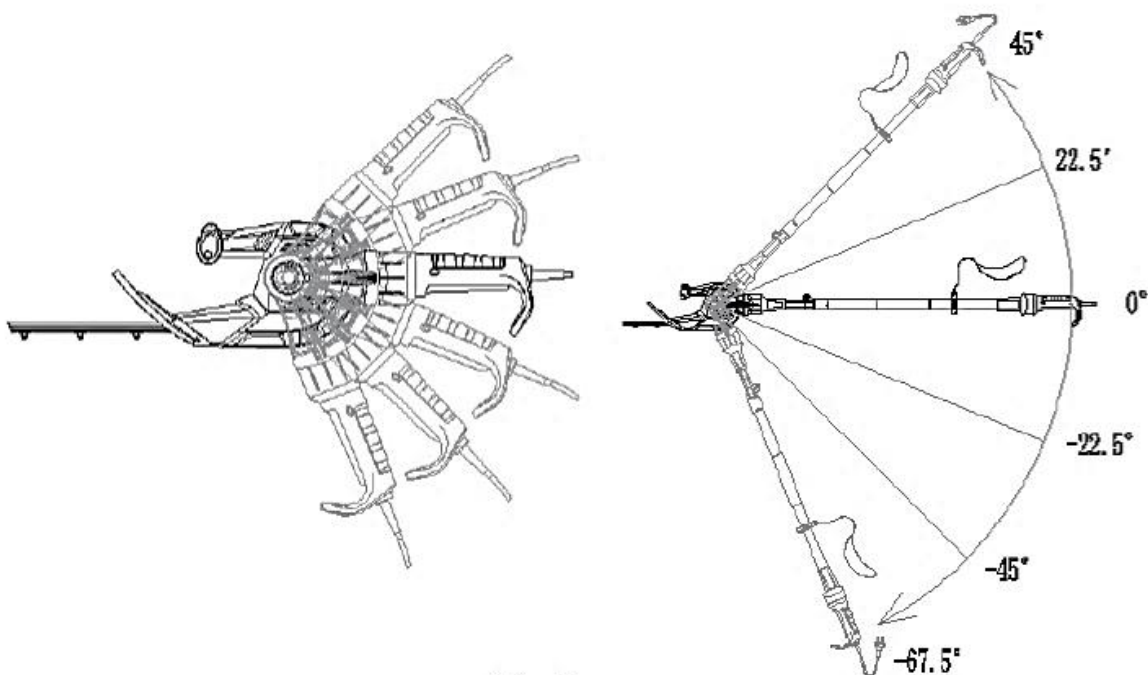
Always wear CE approved safety goggles or safety glasses with side shields when operating power tools. Failure to do so could result in objects being thrown into your eyes, resulting in possible serious injury. Wear head protection when using the trimmer.



Do not use any attachments or accessories not recommended by the manufacturer of this product. The use of attachments or accessories not recommended can result in serious personal injury.

**Adjusting the Pivoting Head**

1. The angle of the power head can be set to 6 different working positions.
2. Push the adjust button (there is a "PUSH" on it) with one hand and turn round the power head to suitable position. The Adjust button can lock the handle automatically (See Fig. 7)

**Fig.7**

### Adjusting the Telescopic Extension Handle length

The hedge trimmer has a telescopic handle that will extend from 1.85m (fully retracted) to 2.45m (fully extended). The locking knob is used to hold the pole in position at any extended length.

1. To extend the handle, loosen the locking knob (see Fig. 8). The handle will slide freely.
2. Pull the inner handle section out to desired length of extension. **Note: only extend pole to minimum length required to reach the branch or stem that is being cut.**
3. To lock handle in position, tighten the locking knob (see Fig. 8)

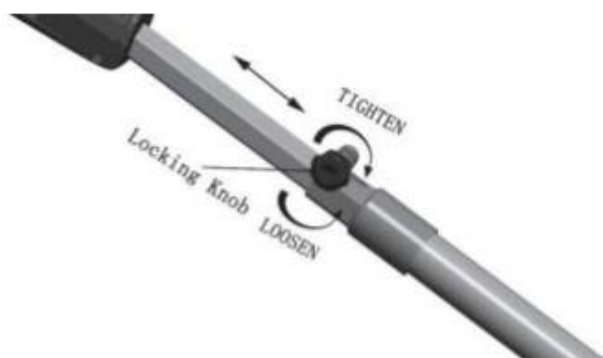


Fig.8

### Starting the Pole Hedge Trimmer

1. Remove the blade sheath (7) from the blade (6) (see Fig 9).

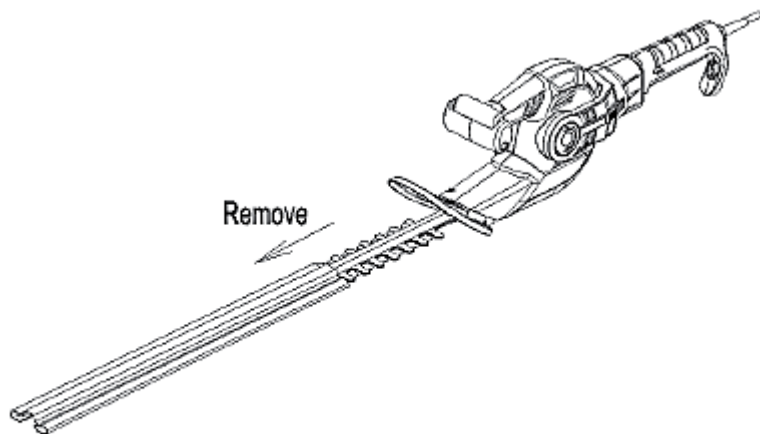


Fig.9

2. There are two switch levers fitted on your hedge trimmer (1&9). Both switch levers need to be depressed for the product to start. Depress and hold the front switch lever (9) and press the switch lever (1). Move the hedge trimmer away from cutting area before stopping. To stop, release one of the switch levers.
3. Adjust the power head and the pole length to suitable position.
4. Connect the power cord to the power supply.

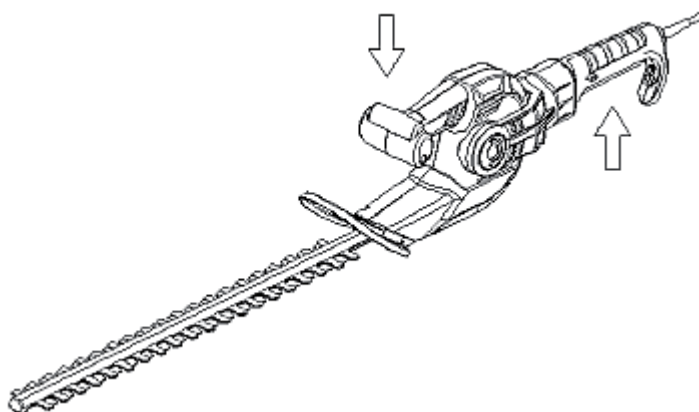
Please read and retain these instructions for future reference

v001: 15/10/19

5. Use both hands to grip the trimmer. Use designated grip areas and strap when operating the trimmer (see Fig. 10). Use a firm grip. Thumbs and fingers must wrap around trimmer handle and the extension handle.



Fig 10



6. Make sure footing is firm, keep feet apart and divide your weight evenly on both feet.

7. When starting a cut, place moving trimmer against branch. Hold the trimmer firmly in place.  
8. Remove the trimmer from a cut with running at full speed. Stop the trimmer by releasing trigger. Make sure the trimmer has stopped before setting pole trimmer down.

#### MAINTENANCE AND SERVICING:

- Before carrying out any checks or maintenance operations, disconnect the plug from the electric power supply.
- Check your hedge trimmer regularly before starting the work.
- Damaged cutting blades have to be repaired or exchanged by a qualified service engineer before working with the 2 in 1 Hedge Trimmer.
- After each cutting operation, clean the cutting blade with a soft brush and cloth with lubricating fluid oil and spray a thin layer of fluid protective oil.
- Always keep the ventilation slots in motor housing clean.
- Never clean or spray the Hedge Trimmer with water. Clean the motor housing only with a moist cloth and never use detergents or solvents. These could ruin the plastic parts of the Hedge Trimmer. Finally, dry the motor housing carefully.
- Store the Hedge Trimmer with the supplied protection blade covers.
- Hedge Trimmers must be stored out of the reach of children.
- Store in a dry, frost free place.

**PLUG WIRING (UK & IRELAND)**

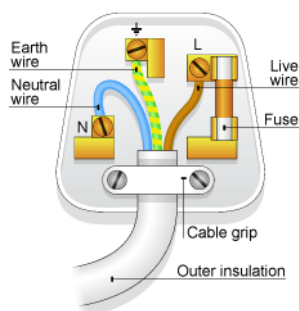
This appliance is fitted with a BS 1363 13-amp plug. If you have to replace the fuse, only those that are ASTA or BSI approved to BS1362 and with a rated current of 13-amps should be used. If there is a fuse cover fitted, this cover must be re-fitted after changing the fuse. If the fuse cover is lost or damaged the plug must not be used. Spare fuse holders and fuses are available from electrical outlets. If the socket outlets in your home or office are not suitable for this product's plug, the plug must be removed and disposed of safely. Attempts to insert the plug into the wrong socket is likely to cause electric hazard. A replacement plug should be wired according to the following instructions:

**The cable**

A mains electricity cable contains two or three inner wires. Each has a core of copper and an outer layer of flexible plastic. This product is double insulated; the wires in the cord set are colour coded in the following way:

BLUE	NEUTRAL
BROWN	LIVE
GREEN & YELLOW	EARTH

The diagram below shows the key features of a correctly wired three-pin mains plug.

**Note:**

Double insulated appliances do not need the green & yellow Earth wire. They may only have the Brown and Blue wires.

**DISPOSAL**

- Dispose of all packaging, paper, cartons, plastic and plastic bags in accordance with your local recycling regulations.
- At the end of the product's lifespan please dispose of it at an authorised household WEEE waste recycling centre.





**DECLARATION OF CONFORMITY**

Coopers of Stortford that the 2 in 1 Hedge Trimmer G339 (Model No. M1E-10ET-460)

Conforms to the following European Directives and standards:

- Machinery Directive 2006/42/EC
- Low Voltage Directive 2014/35/EU
- EMC Directive 2014/30/EU
- Noise Directive 2000/14/EC & 2004/88/EC
- RoHS Directive 2011/65/EU + 2015/863/EU

The Technical file in accordance with 2006/42/EC is available from:

Coopers of Stortford, 11 Bridge Street, Bishop's Stortford, Hertfordshire, CM23 2JU

