



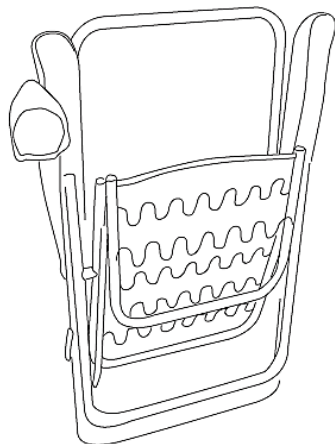
**Dimensions:**  
59cm x83cm x107cm

**Max weight load: 110kg**

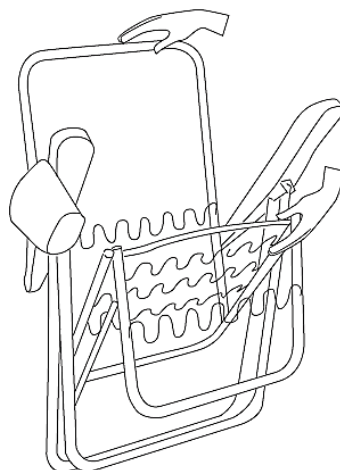
- 5reclining positions
- Ultra-thick & comfortable foam padded cushion with built in headrest
- Cup holder
- Folds flat for easy storage
- Contrast piping
- Straps to secure the padded cushions to the chair

G348 GR Ultimate Relaxer Chair Dark Green  
G348 PA Ultimate Relaxer Chair Patterned

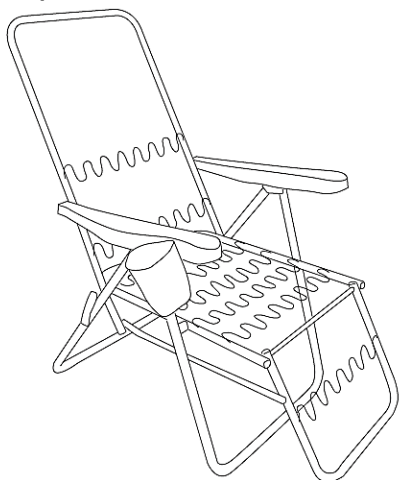
### Step 1



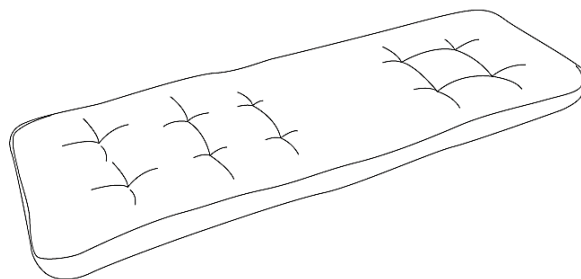
### Step 2

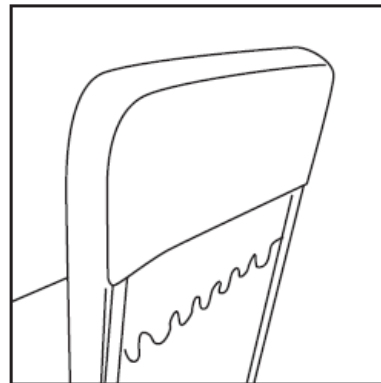
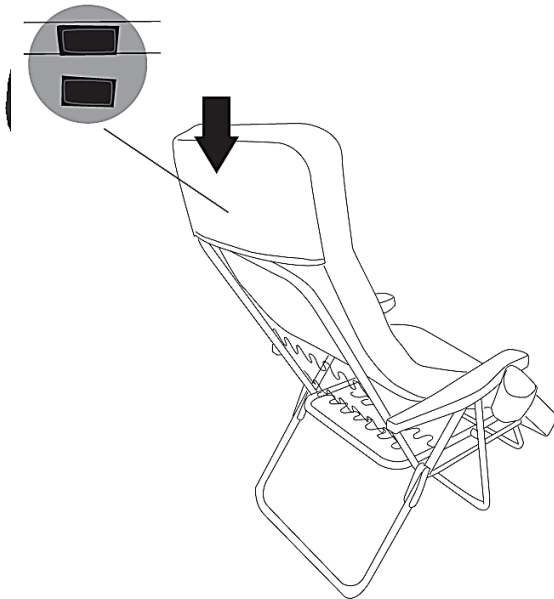


### Step 3



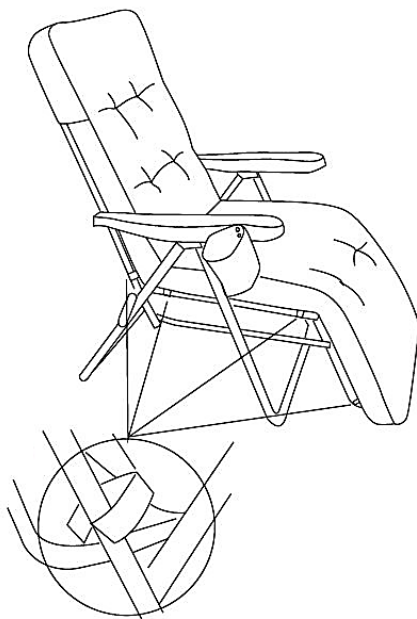
### Step 4





#### Step 4

Head rest attaches to chair with hook & loop fastening.



#### Step 5

Cushion is attached to chair with hook & loop fastening where indicated.

#### CARE & MAINTENANCE

- Please take care when opening or folding to avoid finger entrapment.
- Please protect from adverse weather.
- Store in a dry clean environment.

#### DISPOSAL

- Dispose of all packaging, paper, cartons, plastic and plastic bags in accordance with your local recycling regulations.
- At the end of the product's lifespan please dispose of it at an authorised household waste recycling centre.