

Metal Garden Table

G371

Instructions for Use

Please read and retain these instructions for future reference

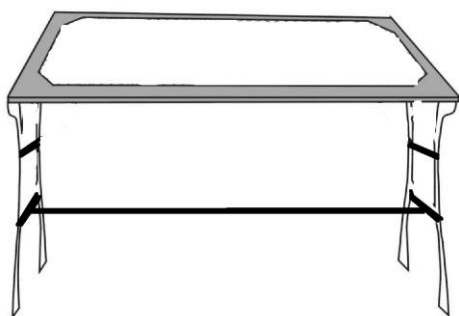
v001: 25/11/19

Parts:








Dimensions:

91cm X75cm X61cm

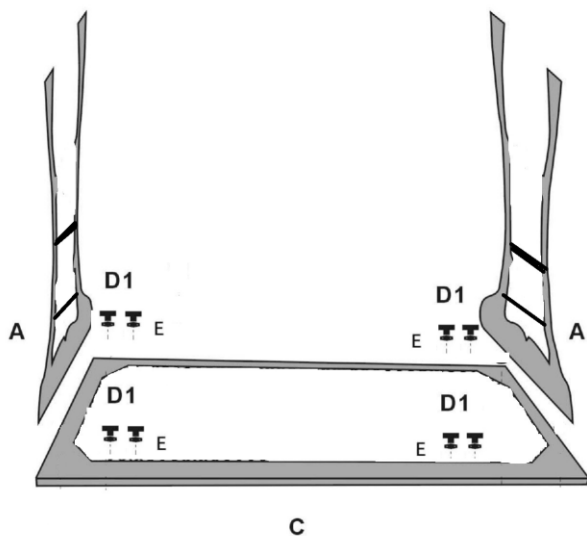
Matches: G367 Metal Bird Design Garden Bench



Max. weight load: 70kg

A		X 2
B		X 1
C		X1
D ₁	 6x16mm	X 8
D ₂	 6x35mm	X 4
E		X12
F		X 4

Parts



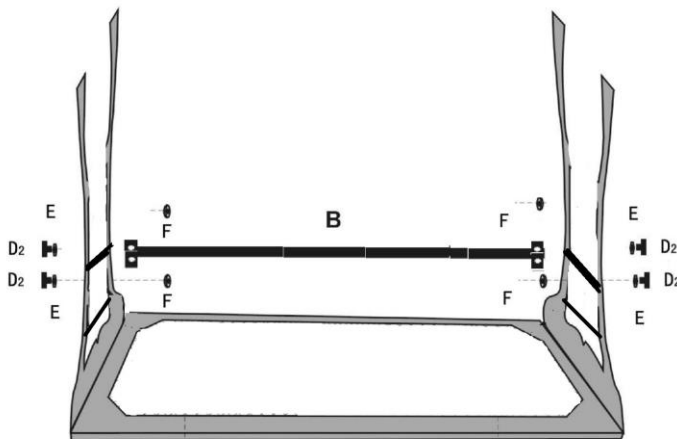
Step 1

At the 4 corners connect the frame (A) with the table top using bolts and washers (D1 and E). Do not fully tighten bolts at this stage.

*Calls cost 7 pence per minute plus your telephone company's network access charge

Head Office, 11 Bridge Street,
Bishop's Stortford CM23 2JU
Tel: 0844 482 4400*
Fax: 01279 756 595
www.coopersofstortford.co.uk

Coopers
OF STORTFORD



Step 2

Fit central support bar(B) with longer bolts D2/washers E and secure with nuts F as shown.

Tighten all bolts and turn table right way up.

Maintenance

- Periodically check all connections for tightness.

DISPOSAL

- Dispose of all packaging, paper, cartons, plastic and plastic bags in accordance with your local recycling regulations.
- At the end of the product's lifespan please dispose of it at an authorised household waste recycling centre.