

User Manual



Contents

1.Parts of the digital camera	4
2.Preparing for using	5
3. Using this digital camera	8
4. Connect the camera	13
5. Technical Specifications	14

Thank you for purchasing this product. Please read these operating instructions carefully in order to use the digital video camera correctly. Keep the instructions in a safe place after reading so that you can refer to them later.

Precautions

Before using the digital camera, please ensure that you read and understand the safety precautions described below.

- Do not try to open the case of the digital camera or attempt to modify this digital camera in any way. Maintenance and repairs should be carried out only by authorized service providers.
- Use only the recommended power accessories. Use of power sources not expressly recommended for this equipment may lead to overheating, distortion of the equipment, fire, electrical shock or other hazards.
- Close the battery cover correctly. If water, dust or sand is inside the camera, it will cause malfunction. Do not open or close the battery and USB cover at the locations like ocean or lake. Also, do not open or close them with wet hands.

After using the camera in water, please wipe off the water drops / dirt and dry the camera with a clean cloth. Damage which is caused by improper use of the camera cannot be rectified under warranty.

1. Parts of the digital camera

1. Power button
2. Shutter button

3. Strap hole

4. Lens

5. Flash strobe

6. Self-timer LED

7. Menu button

8. Mode button

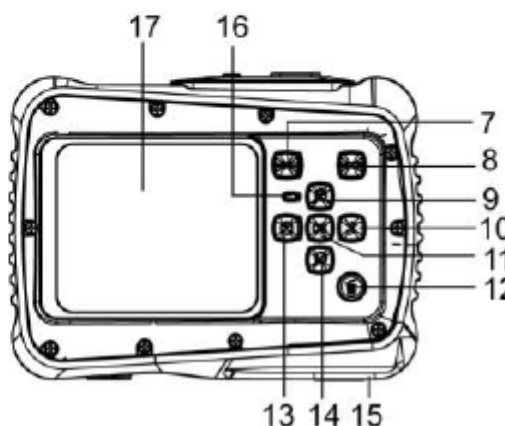
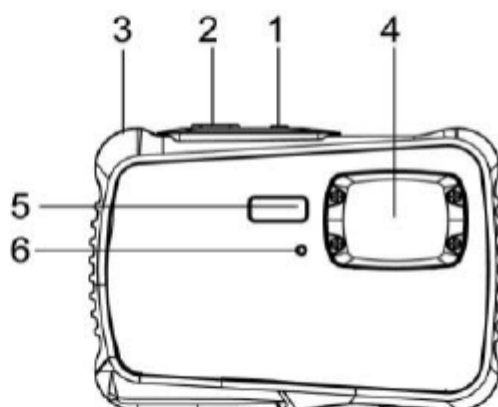
9. UP/Zoom in button

10. Button right/Flash button

11. OK button

12. Delete button

13. Button left/Self-timer



Page No. 3

button

14. Button down/Zoom out button

15. Battery cover

16. Busy indicator LED

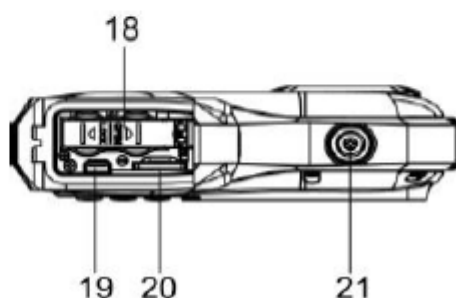
17. LCD screen

18. Battery inner door/
Battery compartment

19. USB slot

20. Micro SD card slot

21. Tripod socket



2. Preparing for using

Installing the Battery

1: Push the lock button down to open the battery cover.

2: Insert the 2x AAA batteries with the positive (+) and negative (-) poles matching the directions indicated inside the battery compartment.

3: After the battery is properly inserted, close the battery cover until a clearly click is heard.

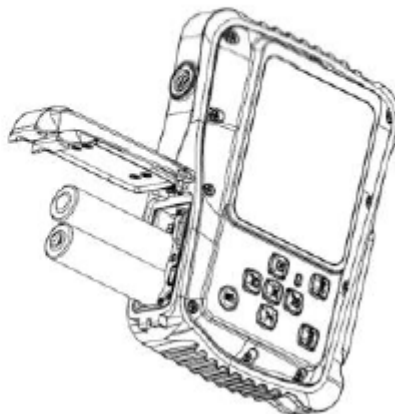
Format the memory card

It is important to format the memory card when it is the first time you use this digital camera. All data will be deleted including protected files. Be sure to download important files to your computer before formatting.

1: Turn the power on, set the digital camera to the Setup Menu.

2: Press the **Up** or **Down** button to select [**Format**] then press the **OK** button to launch the submenu.

3: Press the **Up** or **Down** button to select the item [**Yes**] and confirm the selection with the **OK** button.



Setting the Language

When using the digital camera for the first time after purchasing it, be sure to choose a language and set the date & time before using the digital camera.

1. Turn the power on, set the digital camera to the Setup Menu .
2. Press the **Up** or **Down** button to select **[Language]** and confirm the selection with the **OK** button.
3. Press the **Up** or **Down** button to select the desired language and then press the **OK** button to confirm the setting.

Setting the date and time

- 1: Turn the power on, press the **MENU** button to display the SCENE.
- 2: Press **AUTO**, press to your **Right** (Button 10) to get to IMAGE SIZE.
3. The next window is **SHOOTING**.
4. Press to your right, next is IMAGE SETTING.

5. Press to your right and the last window is SETUP.
6. Scroll up and down for your functions.
- 7: Press the **Up** or **Down** button to select **[Date]** and confirm the selection with the **OK** button.
- 8: Press the **Up** or **Down** button to select **[Set Date]** then press the **OK** button to launch the dialog box.
- 9: Press the **Up** or **Down** button to change the highlighted value. Press the **Left** or **Right** button to move the cursor between settings.
- 10: Press the **OK** button to confirm the settings.

Note: The date and time can be only added to still images by setting the function [Date] in Capture Setting menu. Please note that integrated date/time data can't be erased from the images later on.

3. Using this digital camera

Turning the Digital camera On and Off




1. Press the **POWER** button to turn on the camera and press it again to turn the digital camera off.

To save battery power, you can change the power-off time by enabling the function [Auto Power Off] in the Setup menu.


Change the record mode

There are three modes in this digital camera.

- 1: Press the **POWER** button to turn on the digital camera.
- 2: Press the **Mode** button to change the mode. Each time the **Mode** button is pressed, the mode icon is changed. The active mode is displayed in the LCD monitor of the camera on the top left.

Display	Title	Description
	Capture mode	For taking still photos
	Video mode	For recording movie clips
	Playback mode	For previewing record files

Taking still images

1. Turn on the digital camera and set the digital camera to default capture mode, the icon  appears on the LCD screen.

2. Zoom:

Press the **UP** or **DOWN** button to zoom in or zoom out the screen. The value of magnification level appears on the LCD monitor.

3. Hold the digital camera steady and then press the **SHUTTER** button completely down to take a picture.

4. Press the **MENU** button to display the menu to make various settings like e.g. Scene, Image Size, Shooting and Image Settings.

Using the Self-timer

Use the self-timer to set a delay from the time the shutter button is pressed to the time the image is shot.

1. Turn the power on, and go to Menu window SCENE. Press to your right when IMAGE SIZE press to your right Window SHOOTING then scroll down.

2. Press the **LEFT/SELF-TIMER** button to change the self-timer mode. Each time the **LEFT/SELF-TIMER** button is pressed the self-timer icon changes.



2 Seconds: The shutter release will delay for 2 seconds.



5 Seconds: The shutter release will delay for 5 seconds.



10 Seconds: The shutter release will delay for 10 seconds.




3. Press the **SHUTTER** button to take a picture.
4. After starting the Self-timer, the self-timer LED will flash until the picture is taken.

Using the Flash

The flash is not only for taking pictures when there is insufficient light, but also for when the subject is in shade or with backlight conditions. Pressing the **RIGHT/FLASH** button to select the different flash modes. The flash will not activate during continuous shooting or movie recording.

1. Set the digital camera to the Capture mode.
2. Press the **RIGHT/FLASH** button to change the flash mode.

Each time the flash button is pressed, the flash icon changes.

	Auto: Automatically turn on/of
	Flash on: Force on the flash
	Flash off: Force off the flash


3. Press the **SHUTTER** button to take a picture.

Note:

When the battery power level is low, the flash does not work.


Press the **RIGHT/FLASH** button, the message shows “Low battery” appears on the LCD screen.

Recording a video clip

1. Turn on the digital camera and press the **MODE** button to set the digital camera to video record  mode.
2. Zoom:
Press the **UP** or **DOWN** button to zoom in or zoom out the screen. The value of magnification level appears on the LCD monitor.
3. Press the **SHUTTER** button to start recording.
4. Press the **SHUTTER** again to stop recording. If the memory is full the video camera will stop recording automatically.
5. Press the **MENU** button to display information, including Size and Image Setting.
 - On top of the LCD screen, the recording time is displayed.
 - Don't remove the card during video recording, this could lead to a malfunction of the digital camera.

4. Playback

Playback still image

1. Press the **MODE** button to set the camera to playback mode, the  icon appears on the left upper corner of the screen.
- 2: Press the **LEFT** or **RIGHT** buttons to select the movie clips you want to playback.
- 3: Press the **SHUTTER** button to start playing the video and press it again to pause. Press **UP** button to stop playback.

4. Connect the camera

Connecting the Digital camera to a PC

There are two ways to download files from the digital camera's memory card to a computer:

1. Inserting the memory card into a card reader.
2. Connecting the camera to a computer with the USB cable.

Connecting the Digital camera to a PC with the USB Cable

1. Connect the USB cable to the computer's USB port and turn on the digital camera. An icon "MSDC" appears on the screen when connection to the computer has been

successfully completed. The icon might be different on some PCs. Check your drivers on your PC.

2. Open [My Computer] or [Windows Explorer]. A "Removable Disk" appears in the drive list. Double-click the "Removable Disk" icon to view its contents. Files are stored in the folder "DCIM".

3. Copy the photos or files to your computer.

5. *Technical Specifications*

Sensor	5.0Mega Pixels CMOS
Display	2.0" TFT Color LCD
Resolution	<p>Still Image:</p> <p>[12M] 4000x3000 /[10M] 3648x2736 /[8M] 3264x2448 /[5M] 2592x1944 /[3M] 2048x1536 /[2M] 1600x1200 /[VGA] 640x480</p> <p>Video:</p> <p>[HD] 1280 x 720 /[D1] 720X480 /[VGA] 640 x 480</p>

Auto Power Off	[Off]/[1Minute]/[2 Minutes]/[3 Minutes]/ [4 Minutes]/[5 Minutes]/[10 Minutes]
White balance	Auto/Daylight/Cloudy/Incandescent/Fluorescent
Scene	[Auto]/[Night Portrait]/[Night Scenery]/[Portrait]/ [Scenery][Sport]/[Party]/[Beach]/ [HighSensitivity]/ [Underwater]
Exposure control	-3EV to +3EV in 1step
Self-timer	2 /5 /10 sec.
Storage	Micro SD Memory Slot up to 32GB
Power Supply	2 x AAA Lithium rechargeable Batteries(not included)
Ambient temperature	Storage/Operation: 5°C to 40°C
Dimension	98.7x73.2x27.3 (mm)
Weight	Camera Body w/o battery: Approx. 110g

BATTERIES

- Keep batteries away from children and pets.
- Do not mix used and new batteries.
- Remove the batteries if left for long periods.
- Never dispose of batteries in a fire.
- Battery disposal, spent or expired batteries must be properly disposed of and recycled in compliance with local regulations. For detailed information, contact your local authority.
- Follow the battery manufacturer's safety, usage, and disposal instructions.

DISPOSAL

- Dispose of all packaging, paper, cartons, plastic and plastic bags in accordance with your local recycling regulations.
- At the end of the product's lifespan please dispose of it at an authorised household WEEE waste recycling centre.



