



Dimensions

92cm x68.5cm x150cm

85cm x65cm x140cm folded

Composition

Stainless Steel and ABS Plastic

Weight

2.6kg

Nominal voltage

110-220V ac, 60/50Hz

Rated power

24W

Max load bearing

15kg

Adjustable angle for rack: 40 °



Caution
Hot surface

CAUTION! THIS ELECTRICAL APPLIANCE'S EXTERNAL SURFACES WILL GET HOT IN NORMAL USE. ALLOW TO COOL BEFORE TOUCHING THE EXTERNAL SURFACES.

- OUR EZ BREEZY AIRER RELEASES A GENTLE BREEZE THAT MIMICS NATURAL WIND TO HELP DRY YOUR CLOTHES FASTER, LEAVING THEM FRESH & CLEAN UP TO 50% QUICKER THAN USING A REGULAR AIRER
- REDUCES THE NEED FOR TUMBLE DRYING SO CAN HELP SAVE YOU POUNDS!
- THE BOTTOM BAR HAS OUR CLEVER BREEZE TECHNOLOGY WHICH BLOWS THE BREEZE UP UNDER THE CLOTHES
- IDEAL FOR WHEN YOU CAN'T DRY YOUR CLOTHES OUTDOORS IN COLDER WEATHER
- FOLDS FLAT FOR EASY & COMPACT STORAGE
- ON WHEELS FOR EASY MANOUVERING
- THE SIDE PANELS HAVE HOOKS IDEAL FOR HANGING SMALLS LIKE UNDERWEAR, SOCKS AND CLOTHS
- BOTH THE FAN BAR AND THE DRYING PANELS ARE HEIGHT ADJUSTABLE
- YOU CAN CHOOSE TO JUST HAVE ONE SIDE WITH THE SHELVES OPEN FOR SMALLER LOADS OR EXTRA SPACE SAVING
- WILL HOLD UP TO 15KGS OF WASHING

COOPERS
OF STORTFORD

UK Head Office, 11 Bridge Street, Bishop's Stortford, CM23 2JU

Tel: 0844 4824400*, Fax: 01279 756595

www.coopersofstortford.co.uk

EU address: D.S.B. LD, 160 Bd. de Fourmies, 59100 Roubaix, France

Tel: (+44) 1279 701269

*UK Calls cost around 7 pence per minute plus your telephone company's network access.

Please check with your telephone supplier.

ASSEMBLY INSTRUCTIONS

Unpack the components carefully. Please check all parts have been removed from the packaging.

Warnings

- Do not obstruct the motor with any object.
- Do not place adapter into water or other liquid.
- Keep cord away from heated surfaces.
- Use product only for its intended use as described in this instruction manual.
- Do not attempt to service unit. There are no user serviceable parts.
- Maximum weight capacity: 15kg. Do not overload drying rack.
- Use adapter supplied by manufacturer only.
- Do not pull or carry unit by cord. Be careful not to damage cord when unplugging unit.
- Keep away from sharp edges and do not allow it to be compressed by furniture, doors, etc.
- Avoid running EZ Breezy Airer over cord. This could damage cord, plug or socket and pose a safety hazard. Do not use appliance if any part appears damaged.

WARNING: To reduce risk of fire or electric shock, do not use this fan with any solid-state speed control device.

- Unplug or disconnect appliance from the power supply before servicing.
- EZ Breezy Airer must only be used for domestic household purposes.
- Any other usage, modification or alteration is at the owner's risk and could be dangerous. The manufacturer cannot be held liable for damage resulting from improper or incorrect use of the appliance.
- This appliance is not intended for use by persons (including children) with reduced physical, sensory or mental capabilities, or lack of experience or knowledge, unless they are supervised during use or have been shown how to use it by a person responsible for their safety.
- EZ Breezy Airer is not a toy! To avoid risk of injury, keep children away and do not allow them to play with the unit or to use controls.
- Always unplug power cord after use.
- The manufacturer cannot be held liable for damage caused by non-compliance with these warnings and safety instructions.
- Unplug power cord during product maintenance to avoid shock and fire.
- Prior to use, make sure clothing has been spin-dried or well wrung. This will ensure a dramatically faster drying time, and will reduce the quantity of water dripping onto the base of the dryer.
- This appliance is intended for drying textiles washed in water only.
- Use care when assembling and folding parts of the airer as moving parts can pinch skin or fingers.
- When loading racks, always start with bottom rack and distribute evenly.

Parts

A-4 pieces
Frame hanger



B - 4 pieces
Middle connecting piece



C - 1 piece
Horizontal base tube



D - 2 pieces
Feet



E - 6 pieces
Wheels



F - 1 piece
Motor unit



G - 2 pieces
Dampers



H - 2 pieces
Vertical base tube



I - 4 pieces
Pipe fastenings



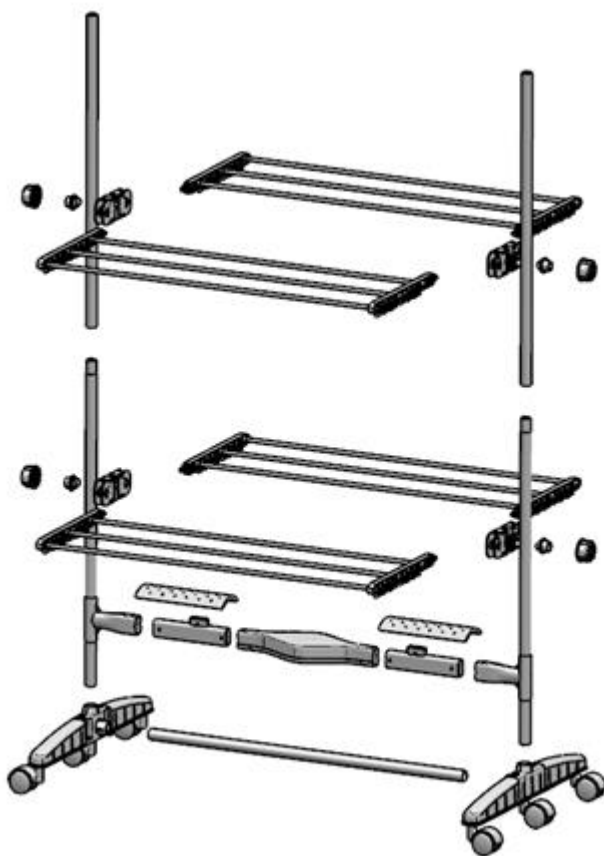
J - 2 pieces
Vertical tubes



K - 1 piece
AC plug



L - 2 pieces
Hangers



COOPERS OF STORTFORD

UK Head Office, 11 Bridge Street, Bishop's Stortford, CM23 2JU

Tel: 0844 4824400*, Fax: 01279 756595

www.coopersofstortford.co.uk

EU address: D.S.B. LD, 160 Bd. de Fourmies, 59100 Roubaix, France

Tel: (+44) 1279 701269

*UK Calls cost around 7 pence per minute plus your telephone company's network access.

Please check with your telephone supplier.

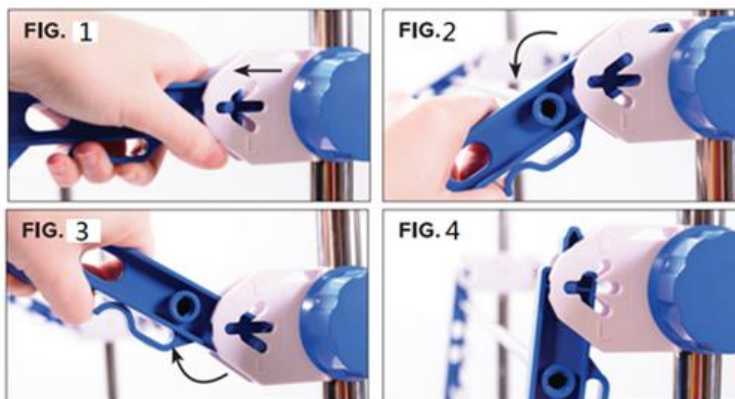
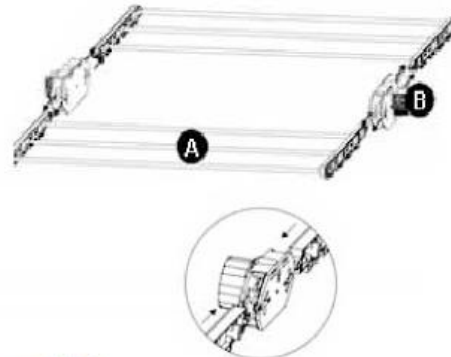
ASSEMBLY

STEP 1: Fitting the hangers

The hangers (A) are supplied pre-assembled. Push all hangers (A) individually into the middle connecting piece (B).

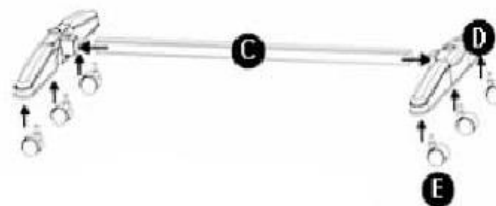
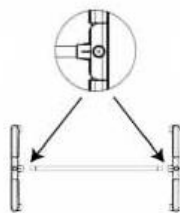
FOR THE TOP HANGER PROCEED IN THE SAME WAY!

To change the angle of the hanger, pull it out of the device. Select one of the 3 possible angle positions (top - middle - bottom) and push the hanger in.



STEP 2: Fitting the base

Push the horizontal base tube (C) into both feet (D). Put the 6 wheels (E) on the bottom of the feet (D).



Note: Each foot is to be lined up to the line at the ends of the horizontal base tube.

COOPERS OF STORTFORD

UK Head Office, 11 Bridge Street, Bishop's Stortford, CM23 2JU

Tel: 0844 4824400*, Fax: 01279 756595

www.coopersofstortford.co.uk

EU address: D.S.B. LD, 160 Bd. de Fourmies, 59100 Roubaix, France

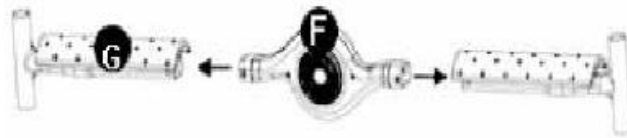
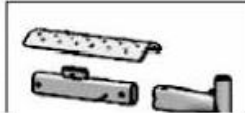
Tel: (+44) 1279 701269

*UK Calls cost around 7 pence per minute plus your telephone company's network access.

Please check with your telephone supplier.

STEP 3: Fitting the motor

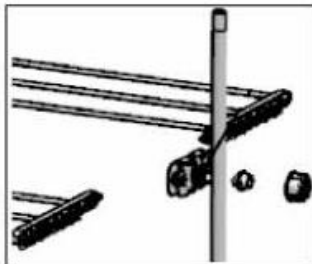
Click the 3 parts together to build the air dampers (G). Insert the air dampers (G) individually into the motor unit (F).

**STEP 4: Fitting the frame**

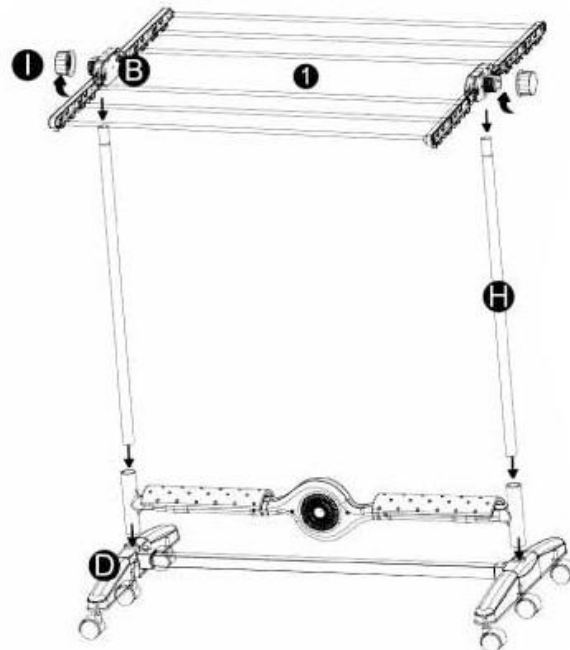
Push the vertical base tubes (H) through the side rods of the motor unit. Place the assembled motor on the feet (D) and press down the vertical base tubes (H) to secure.

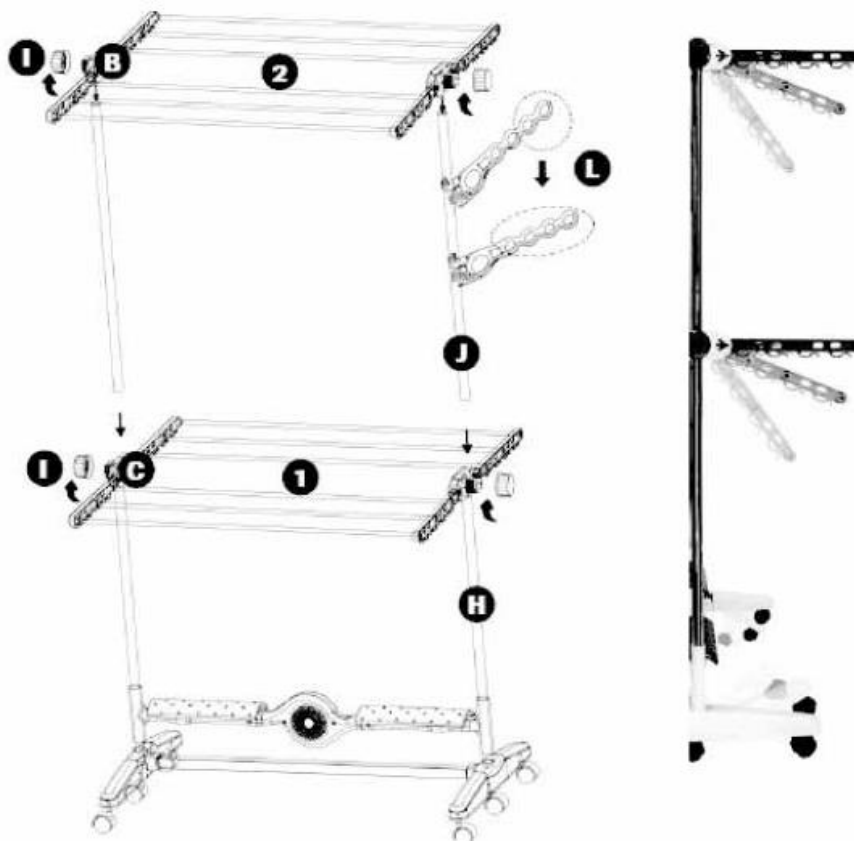
COMMENT TO FIX THE HANGERS:

Push the middle connecting piece (B) individually onto the vertical base tube (H). LIGHTLY fix it with the holders (I).

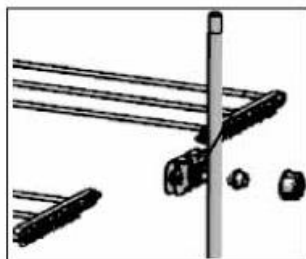


BEFORE TIGHTENING THE HOLDERS, PERFORM STEP 4.



**STEP 5:**

Slide the vertical tubes (J) into the vertical base tubes (H).



HANGER (1): Slide the middle connectors (B) one by one onto the vertical base tube (H) and tighten lightly with the fasteners (I).

HANGER (2): Slide the middle connectors (B) one by one onto the vertical tube (J) and tighten fully with the fasteners (I).

NOTE: Once the two vertical tubes are connected, the hanger (1) can be attached.

Attaching the smart hanger (L): The smart hanger can be attached on either side of the upper vertical tubes. (When attaching the smart hanger, insert the bottom part first and hang the top part, then pull it down to secure.) Racks easily adjustable to several positions!

Airflow:

Press once: High speed

Press once again: Low speed

Press again: Stop motor

**COOPERS
OF STORTFORD**

UK Head Office, 11 Bridge Street, Bishop's Stortford, CM23 2JU

Tel: 0844 4824400*, Fax: 01279 756595

www.coopersofstortford.co.uk

EU address: D.S.B. LD, 160 Bd. de Fourmies, 59100 Roubaix, France

Tel: (+44) 1279 701269

*UK Calls cost around 7 pence per minute plus your telephone company's network access.

Please check with your telephone supplier.

CARE AND CLEANING INSTRUCTIONS:

- Wipe rack with a damp cloth as needed and towel dry.
NOTE: Always unplug the unit before cleaning.
- For storage, fold racks by following instructions for angling racks and fold base supports. Once folded, roll dryer rack to a location where it can lean against a wall or surface.
- Store in a cool, dry place.
- NOTE: Always unplug when not in use.

PLUG WIRING (UK & IRELAND)

This appliance is supplied with a mains adaptor with BS1363 plug pins.



DO NOT use if the socket outlets in your home or office are not suitable for this product's mains adaptor plug pins. Attempts to insert the mains adaptor into the wrong socket is likely to cause electric hazard or damage.

DO NOT use with any other mains adaptor than the one that is supplied with this product.

DISPOSAL

- Coopers of Stortford use recyclable or recycled packaging where possible.
- Please dispose of all packaging, paper, cartons, packaging in accordance with your local recycling regulations.
- Plastics, polybags – this is made from the following recyclable plastic.



Code & Symbol	 PP	 OTHER
Type of Plastic	Polypropylene	ABS
Commonly used for	Microwaveable food containers, yoghurt pots, butter tubs, disposable plates and cups	CD's, crisp packets, various flexible packaging, baby bottles, sunglass lenses
Notes	Commonly recycled and collected from household recycling bins (packaging tape itself not recyclable but does not interfere with cardboard)	Not often or widely recycled

- At the end of the product's lifespan please check with your local council authorised household waste recycling centre for disposal.

UK
CA

CE


COOPERS
OF STORTFORD

UK Head Office, 11 Bridge Street, Bishop's Stortford, CM23 2JU

Tel: 0844 4824400*, Fax: 01279 756595

www.coopersofstortford.co.uk

EU address: D.S.B. LD, 160 Bd. de Fourmies, 59100 Roubaix, France

Tel: (+44) 1279 701269

*UK Calls cost around 7 pence per minute plus your telephone company's network access.

Please check with your telephone supplier.