



Dimensions

46cm long
Power Lead Length 1.8m

Technical Data

Power supply: 230V/50Hz
Power consumption: 2000W
Temperature: I: 60 °C II: 600 °C
Volume of air: 500 l/min
Cable: 200 cm

- SAFEST AND QUICKEST WAY TO LIGHT YOUR FIRE THIS WINTER
- THERE IS NO NAKED FLAME AND IT HEATS UP TO GIVE UP TO A 650 °C BLAST OF HEATED AIR
- IGNITES KINDLING, PAPER, CHARCOAL ETC IN MINUTES
- COOLS DOWN QUICKLY, JUST REST IT ON ITS STAND AND LEAVE TO COOL DOWN
- POWERFUL 2000W
- GREAT FOR FIREPLACES, STOVES, CHIMINEAS, WOOD BURNERS EVEN BBQ'S IN THE SUMMER.
- CAN ALSO BE USED ON AGAS AND RANGE COOKERS
- COOL TOUCH HANDLE



Warning

When fire is lit, disconnect immediately.



Caution
Hot surface

CAUTION! THIS ELECTRICAL APPLIANCE'S EXTERNAL SURFACES WILL GET HOT IN NORMAL USE. ALLOW TO COOL BEFORE TOUCHING THE EXTERNAL SURFACES.

INSTRUCTIONS FOR USE:

Unpack the components carefully. Please check all parts have been removed from the packaging.

Correct use

For igniting charcoal and logs in open fires. Observe the directions for use.

All other flammable materials may not be used with this device.

This unit is only designed for non-commercial, domestic use.

Contents

Technical Data	1
Correct use	1

SAFETY INSTRUCTIONS:2

Safety instructions relating specifically to the equipment.....3

Parts.....4

Operation.....5

Mode of operation5

Maintenance.....6

PLUG WIRING (UK & IRELAND).....6

DISPOSAL7

DECLARATION OF CONFORMITY7

SAFETY INSTRUCTIONS:

WHEN USING ELECTRICAL APPLIANCES, BASIC SAFETY PRECAUTIONS SHOULD ALWAYS BE FOLLOWED:

- READ ALL INSTRUCTIONS BEFORE USE.
- TO PROTECT AGAINST ELECTRIC SHOCK, DO NOT IMMERSE CORD, PLUG OR APPLIANCE, IN WATER OR ANY OTHER LIQUID.
- UNPLUG FROM OUTLET WHEN NOT IN USE AND BEFORE CLEANING.
- DO NOT OPERATE ANY APPLIANCE WITH A DAMAGED CORD OR PLUG OR AFTER THE APPLIANCE MALFUNCTIONS, OR HAS BEEN DAMAGED IN ANY MANNER. WE RECOMMEND THAT THE POWER CORD IS NOT KINKED OR STORED IN A TWISTED MANNER, AND THAT YOU REGULARLY CHECK ITS CONDITION.
- THE USE OF ANY ACCESSORY ATTACHMENTS NOT RECOMMENDED BY COOPERS OF STORTFORD MAY CAUSE INJURIES AND INVALIDATE ANY WARRANTY YOU MAY HAVE.
- DO NOT LET CORD HANG OVER THE EDGE OF A TABLE OR COUNTER, OR TOUCH HOT SURFACES.
- DO NOT PLACE ON OR NEAR HEAT SOURCES.
- USE ON A LEVEL, STABLE SURFACE.
- **DO NOT** COVER THE ITEM IN ANY WAY WHEN IN USE AS THIS MAY CAUSE OVERHEATING.
- DO NOT USE THIS APPLIANCE FOR ANY OTHER USE THAN THE INTENDED USE IT IS DESIGNED FOR.
- ENSURE THERE IS SUFFICIENT DISTANCE BETWEEN THIS APPLIANCE AND OTHER ITEMS ON THE WORK SURFACE OR WORK STATION, OR SUFFICIENT DISTANCE BETWEEN THE APPLIANCE AND THE CONFINES OF THE AREA IN WHICH IT IS SITUATED. WE RECOMMEND A MINIMUM CLEARANCE AROUND ALL FACES OF AT LEAST 10CM.
- BEFORE USE, CHECK THOROUGHLY FOR ANY DEFECTS AND DO NOT USE IF DEFECTS ARE FOUND. TAKE CARE NOT TO DROP THE APPLIANCE AS HEAVY IMPACTS MAY CAUSE INTERNAL DAMAGE.
- **DO NOT** PLACE UNDER OR NEAR FLAMMABLE MATERIALS SUCH AS CURTAINS, DRAPERIES, SHELVES, LOOSE WALL PAPER, ETC.
- ALLOW THE ITEM TO COOL THOROUGHLY BEFORE PUTTING ON OR TAKING OFF PARTS.
- DO NOT EXPOSE THE APPLIANCE TO RAIN OR WET CONDITIONS. WATER ENTERING THE APPLIANCE WILL INCREASE THE RISK OF ELECTRIC SHOCK.
- IF IT IS NOT POSSIBLE TO AVOID USING THE APPLIANCE IN A DAMP ENVIRONMENT, USE A RESIDUAL CURRENT CIRCUITBREAKER. THE USE OF A RESIDUAL CURRENT CIRCUIT BREAKER REDUCES THE RISK OF AN ELECTRICAL SHOCK.

- CHECK WHETHER THE FIRE LIGHTER IS IN THE CORRECT POSITION.
- ALLOW THE FIRE LIGHTER TO COOL DOWN BEFORE PACKING AWAY.

Work area

- **Keep work area clean and well lit.** Cluttered and dark areas invite accidents.
- **Do not operate the appliance in explosive atmospheres, such as in the presence of flammable liquids, gases or dust.** Power tools create sparks which may ignite the dust or fumes.
- **Do not permit the hot electrical device to come into contact with the electrical cable or other flammable materials.**
- **Keep children and bystanders away while operating the appliance.** Distractions can cause you to lose control.

Personal safety

- **Stay alert, watch what you are doing and use common sense when operating the appliance.** Do not use the appliance while you are under the influence of drugs, alcohol or medication. A moment of inattention while operating appliance may result in serious personal injury.
- **Use personal protective equipment.** Always wear eye protection. Protective equipment such as dust masks, non-skid safety shoes, hard hat, or hearing protection used for appropriate conditions will reduce personal injuries.
- **Prevent unintentional starting.** Ensure the switch is in the off-position before connecting to power source, picking up or carrying the tool. Carrying the appliance with your finger on the switch or energising the appliance that have the switch on invites accidents.
- **Do not overreach.** Keep proper footing and balance at all times. ~This enables better control in unexpected situations.

Appliance use and care

- **Do not force the appliance. Use the correct appliance for your application.** The correct appliance will do the job better and safer at the rate for which it was designed.
- **Do not use the appliance if the switch does not turn it on and off.** Any appliance that cannot be controlled with the switch is dangerous and must be repaired.
- **Disconnect the plug from the power source before removal from the fire, or storing the appliance.** Such preventive safety measures reduce the risk of starting the appliance accidentally.
- **Store the idle appliance out of the reach of children and do not allow persons unfamiliar with the appliance or these instructions to operate the appliance.** The appliance is dangerous in the hands of untrained users.
- **Maintain the appliance.** Check for misalignment or binding of moving parts and any other condition that may affect the appliance's operation. If damaged, have the appliance repaired before use. Many accidents are caused by poorly maintained appliances.
- **Use the appliance, accessories in accordance with these instructions, taking into account the working conditions and the work to be performed.** Use of the appliance for operations different from those intended could result in a hazardous situation.

Safety instructions relating specifically to the equipment



CAUTION! Risk of injury caused by sparks generated by ignited wood and charcoal dust. Prevent sparks!



- When carrying out work that generates dust, wear a breathing mask and goggles – do not smoke, avoid naked flames.
- The nozzle gets very hot. Risk of burns.
- Never use the hot air device as a hair dryer.
- Never point the hot air flow towards people or animals.
- Avoid using the hot air device close to easily flammable substances or gases.
- Never obstruct the hot air flow by blocking or covering the air outlet.
- Always set the hot air device down onto an even, fire proof surface.
- Never use the hot air device in a wet environment or in spaces with high humidity (e.g. bathrooms, sauna etc.)
- Steam may be generated when working with hot air. Therefore always ensure good ventilation.
- It is not permitted to leave the device outside for longer periods of time or to store it outside.
- Never leave the hot air device unattended when it is in operation.
- Fire may occur if the hot air device is not treated carefully.
- Warmth may be transferred to flammable materials that are covered.
- Keep the cooling body (2) away from the embers.
- Ensure the air intake holes (3) are not blocked.
- Unplug the firelighter before removal from the fire.
- Do not expose to rain or moisture; Store indoors.
- To provide continuous protection against the risk of electrical shock, connect to properly earthed outlet only.
- Do not use the firelighter near to gases, petroleum, paint spraying or other explosive substances.
- Do not immerse in water.
- Read manual before use.

Parts



1. Hot air nozzle
2. Cooling body
3. Air intakes
4. On/off switch
5. Handle
6. Connection cable
7. Device foot

Operation

The Fire Igniter should be connected using the connection cable (6) to a suitable power supply socket. If necessary use your own, unwound extension cable.

Switching on

Using your thumb, push I:60 °C drying function when charcoal is wet. Push II 600 ° C switch towards the handle (5) and hold.

After a few minutes the device will have reached operating temperature.

Switching off

Release the On/off switch. The switch will slide back into the starting position and switch itself off.



Caution!

Operating the device permanently is not intended for safety reasons.

Mode of operation



CAUTION! Because of the smoke you can expect to be generated when using the device, you should always wear suitable breathing protection!

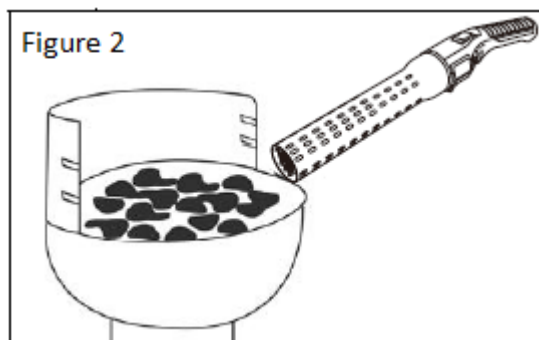


CAUTION! Never direct the hot air flow onto the power cable! The cable may not come into contact with the hot air nozzle (1) or embers as this may melt the insulation of the cable. This may cause electrical shock!

The hot air device allows you to shorten the time needed to create the embers needed to start a fire.

Igniting embers (Figure 2)

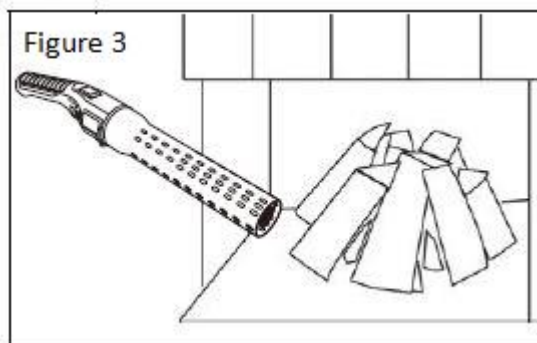
Create a pyramid of charcoal. Switch on the hot air nozzle (1) and hold it close up against the lower pieces of charcoal. If sparks start to fly, increase the gap. Ignite the charcoal several different places until the embers are covered with a grey/white coating of ash.



Igniting a fire (Figure 3)

Caution! Ensure that smoke is drawn off well!

Scrunch up balls of newspaper and place on the hearth. Arrange a pyramid of thin and then thicker logs over the top. Hold the hot air nozzle (1) up against the paper. As soon as the paper ignites, increase the gap. Accelerate the ignition of the wood from a greater distance by simulating bellows.



Caution! Prevent sparks from generating and flying!

Maintenance

Ensure that the air inlet and outlet openings are always clean and free from dirt. Clean the device with a damp cloth. Do not use turpentine, paint stripper, petrol or other similar substances to clean the unit.



Caution! Unplug from the power source before cleaning!

The cooled device can be hung on a wall (Figure 4) or stored in the original packaging along with these instructions.

**PLUG WIRING (UK & IRELAND)**

This appliance is fitted with a moulded BS 1363 **13-amp** plug. If you have to replace the fuse, only those that are ASTA or BSI approved to BS1362 and with a rated current of **13-amperes** should be used.


If there is a fuse cover fitted, this cover must be re-fitted after changing the fuse. If the fuse cover is lost or damaged the plug must not be used. Spare fuse holders and fuses are available from electrical outlets. If the socket outlets in your home or office are not suitable for this product's plug, the plug must be removed and disposed of safely.

Attempts to insert the plug into the wrong socket is likely to cause electric hazard.

DISPOSAL

- Coopers of Stortford use recyclable or recycled packaging where possible.
- Please dispose of all packaging, paper, cartons, packaging in accordance with your local recycling regulations.
- Plastics, polybags – this is made from the following recyclable plastic.



Code & Symbol	 PP
Type of Plastic	Polypropylene
Commonly used for	Microwaveable food containers, yoghurt pots, butter tubs, disposable plates and cups
Notes	Commonly recycled and collected from household recycling bins (packaging tape itself not recyclable but does not interfere with cardboard)

- At the end of the product's lifespan please dispose of it at an authorised household WEEE waste recycling centre.

DECLARATION OF CONFORMITY

Coopers of Stortford that the Fire Igniter, (Model No.PTI-84/Q1B-CH-2000SD)

Conforms to the following European Directives and standards

European Directives

2014/35/EU LVD

2014/30/EU EMC

2011/65/EU & 2015/863/EU RoHS

European harmonized standards

EN 60335-1:2012+A11:2014

EN 60335-2-45:2002+A1:2008+A2:2012

EN 62233:2008

EN 55014-1:2017

EN 55014-2:2015

EN 61000-3-2:2014

EN 61000-3-3:2013

The Technical file in accordance with 2006/42/EC is available from:
Coopers of Stortford, 11 Bridge Street, Bishop's Stortford, Hertfordshire, CM23 2JU

