

# Pk4 Sliding Window & Door Locks H021 Instructions for Use

Please read and retain these instructions for future reference

v001: 06/07/20



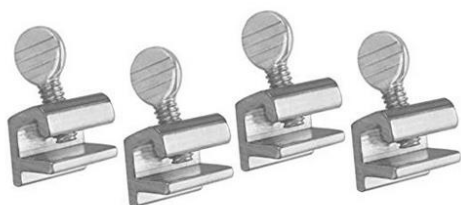
## Dimensions

2.22cm x1.9cm x1.27 cm

## Composition

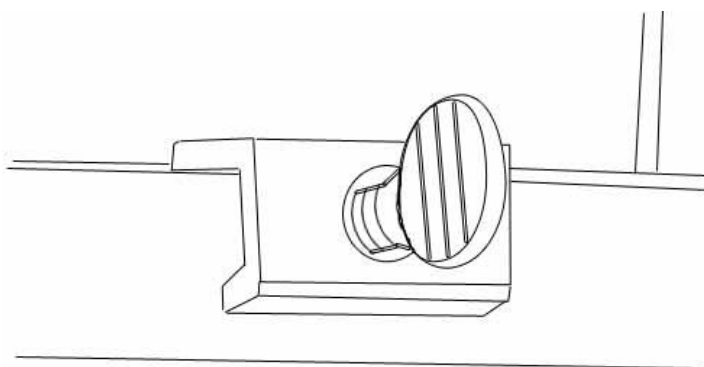
Aluminium

- ADD SOME EXTRA SECURITY TO YOUR SLIDING WINDOWS AND DOORS, ALSO GREAT FOR SLIDING SECONDARY GLAZING
- SIMPLE AND EASY TO SECURE, JUST SLIP OVER THE LIP OF THE TRACK, PUSH IT AGAINST THE WINDOW AND SCREW IT TIGHT
- PREVENTS SLIDING WINDOWS OR DOORS FROM BEING FORCED OR PRIED OPEN FROM OUTSIDE
- SUPPLIED AS A PACK OF 4
- RE-USABLE



## ASSEMBLY INSTRUCTIONS / INSTRUCTIONS FOR USE:

Unpack the components carefully. Please check all parts have been removed from the packaging.



Open the sliding window or sliding door to the required opening then fit the lock to prevent the window or door from opening any further. This means placing the lock against the window or door end opposite the opening.

Screw in place but do not overtighten. Result. Window or door opening is fixed but can still be closed.

## CARE AND CLEANING INSTRUCTIONS:

- Wipe with a clean dry cloth.

## DISPOSAL

- Coopers of Stortford use recyclable or recycled packaging where possible.
- Please dispose of all packaging, paper, cartons, packaging in accordance with your local recycling regulations.
- At the end of the product's lifespan please check with your local council authorised household waste recycling centre for disposal.



\*Calls cost 7 pence per minute plus your telephone company's network access charge

Head Office, 11 Bridge Street,  
Bishop's Stortford CM23 2JU  
Tel: 0844 482 4400\*  
Fax: 01279 756 595  
[www.coopersofstortford.co.uk](http://www.coopersofstortford.co.uk)

**Coopers**  
OF STORTFORD