



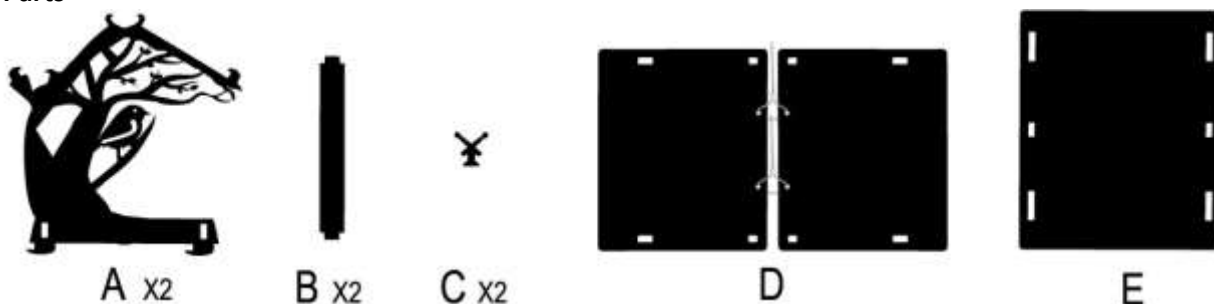
Dimensions
30 x20 x26cm

- ATTRACTIVE LASER CUT BIRD FEEDER IN AN INTRICATE TREE AND BIRD DESIGN
- WITH A STAINLESS STEEL ROPE HANGER THAT WILL NOT RUST OR RUIN OUTSIDE
- HANG FROM A TREE OR HOOK (NOT SUPPLIED) AND FILL WITH BIRD FEED
- EASY CLEAN
- TREATED WITH NON TOXIC/ BIRD FRIENDLY PAINT TO HELP IT WITHSTAND THE ELEMENTS

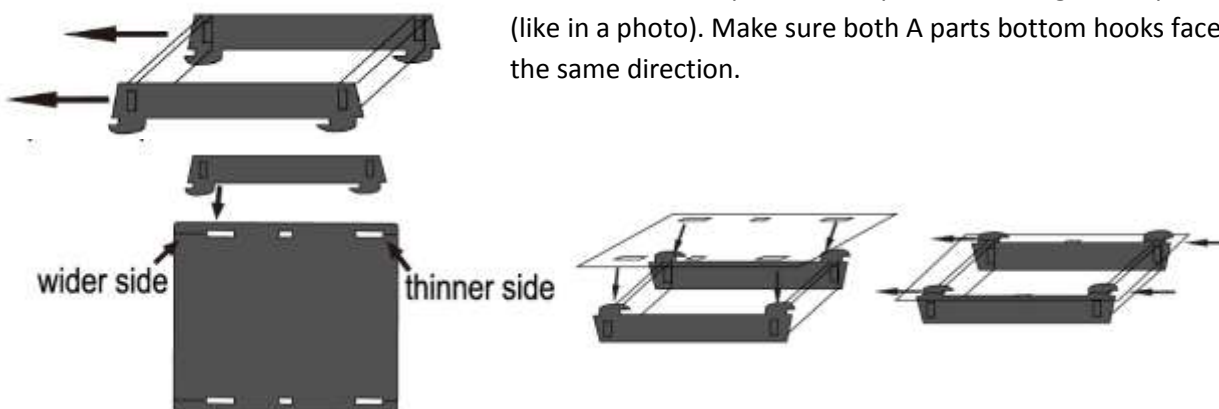
ASSEMBLY INSTRUCTIONS / INSTRUCTIONS FOR USE:

Unpack the components carefully. Please check all parts have been removed from the packaging.

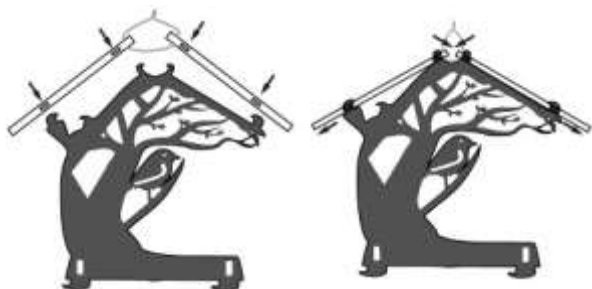
Parts



1. Connect both A parts with B parts in rectangular sequence (like in a photo). Make sure both A parts bottom hooks face in the same direction.



2. Carefully place this construction upside down and put part E on top. When you attach part E, check that wider side would go with open hooks. Then match holes with the hooks, push part E in opposite direction to lock the construction.



3. Put one part D (roof) on top of upper hooks. Match with holes, slide part D a bit outside. This will lock the roof. Repeat with the opposite side.



4. Between the roof (D) insert part C. One piece in the front, push it in 1-2cm deep, do the same with the other piece in the back.

CARE AND CLEANING INSTRUCTIONS:

- Brush off debris every time you put out fresh food and scrub the table with a mild disinfectant solution every few weeks: more frequently if sick birds visit. Move the table from time to time to stop the accumulation of droppings underneath.

DISPOSAL

- Coopers of Stortford use recyclable or recycled packaging where possible.
- Please dispose of all packaging, paper, cartons, packaging in accordance with your local recycling regulations.
- At the end of the product's lifespan please check with your local council authorised household waste recycling centre for disposal.

