

12 Section Potager Growhouse

H066 v01: 02/11/20

Please read and retain these instructions for future reference

GAINSBOROUGH
Garden & Wildlife



Dimensions

L120 xW80x H50cm

- CREATE AN INSTANT POTAGER FOR GROWING VEG, HERBS ETC
- NO NEED FOR TIRELESS DIGGING TO CREATE
- WITH 12 COMPARTMENTS DIVIDED BY WOODEN BOARDS YOU CAN HARVEST A MULTITUDE OF VEG OR HERBS
- OR FOR LARGER OR OTHER ITEMS REMOVE THE WOODEN DEVIDERS TO LEAVE ONE BIG BED
- SIMPLY FILL WITH SOIL AND PLANT, THE DEEP BASE MEANS THE ROOTS HAVE ROOM TO GROW AND HELPS TO RETAIN MOISTURE BETTER FOR THE BEST CROP POSSIBLE AS WELL AS ALLOWING WATER TO SEEP THROUGH
- IT ALSO HAS AN INTEGRATED COVER TO HELP PROTECT YOUR CROP FROM FROST AND PREDATORS

ASSEMBLY INSTRUCTIONS / INSTRUCTIONS FOR USE:

Unpack the components carefully. Please check all parts have been removed from the packaging.

Warning

- This product needs to be assembled by an adult.
- Do not use abrasive cleaners to clean the product.
- The quality and appearance of the cover may change over time and exposure to weather conditions.
- Do not use the Potager Growhouse if any part is damaged or missing.
- Take care to correctly assemble and position the Potager Growhouse.

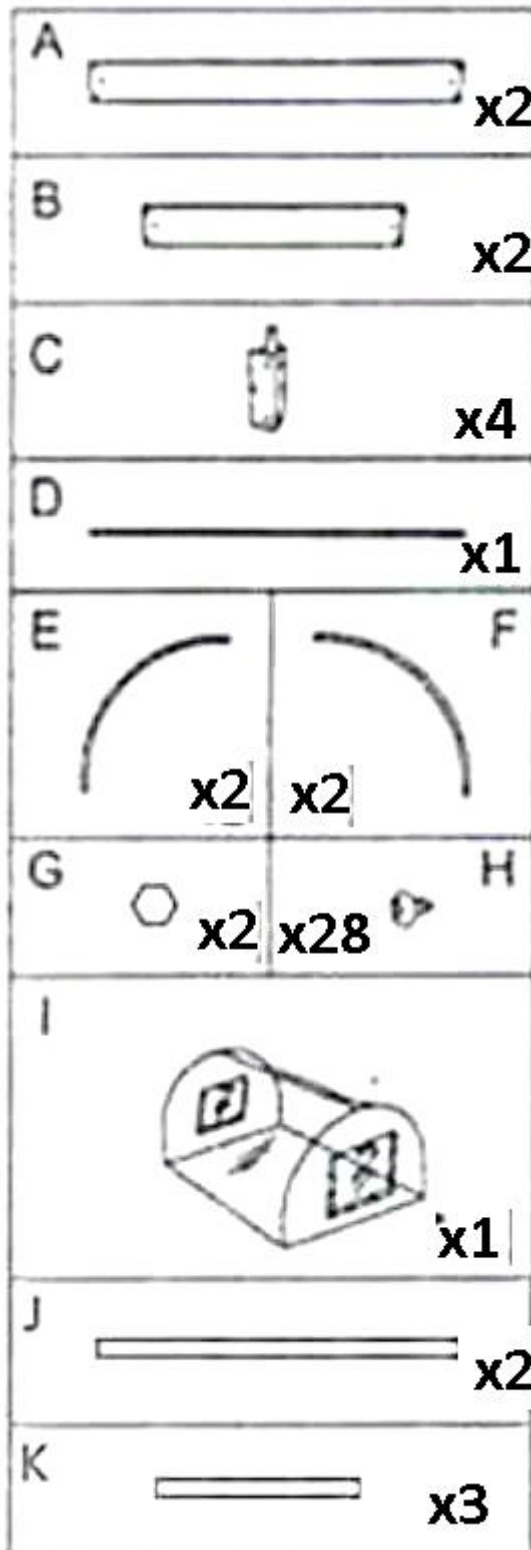
*Calls cost 7 pence per minute plus your telephone company's network access charge

The Enterprise Department
Head Office: 11 Bridge Street
Bishop's Stortford, CM23 2JU
Tel: 0844 482 4400*
Fax: 01279 756 595
www.coopersofstortford.co.uk

Please read and retain these instructions for future reference

v001: 02/11/20

Parts



Materials:

Wood structure (China fir)

PVC tarpaulin

iron reinforcement parts

- Dimensions : 120 (L) x 80 (W) x 50 (H) cm

- 2 wood poles: 117.4 (L) x 1.2 (W) cm

- 3 wood poles: 77.6 (L) x 1.2 (W) cm

- 12 compartments: 30 (L) x 27 (W) cm

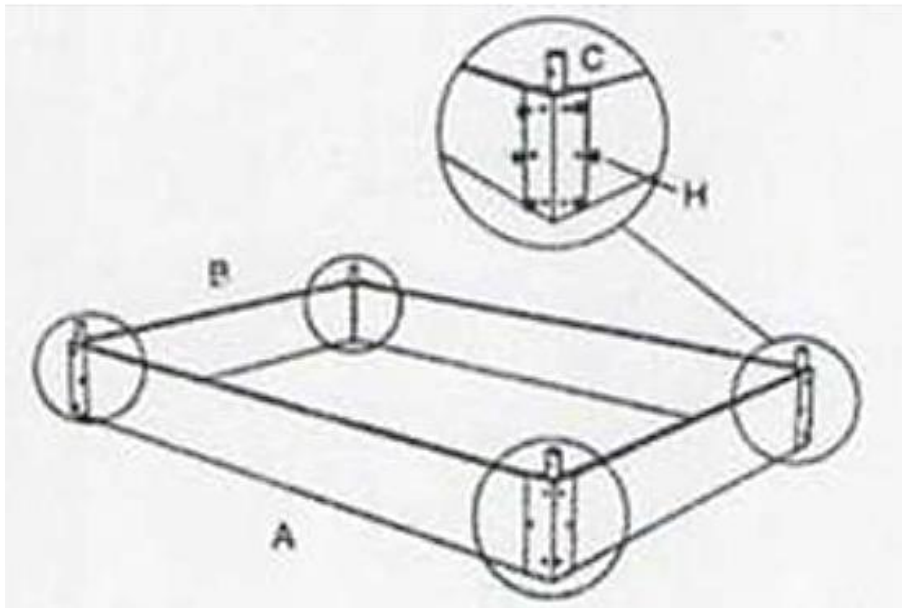
- Transparent tarpaulin with green borders

- 4 iron reinforcement corners

- 4 poles of 1.6 cm diameter to hold the tarpaulin

- 2 openings with Velcro scratches on both widths

-10 iron supports for the poles

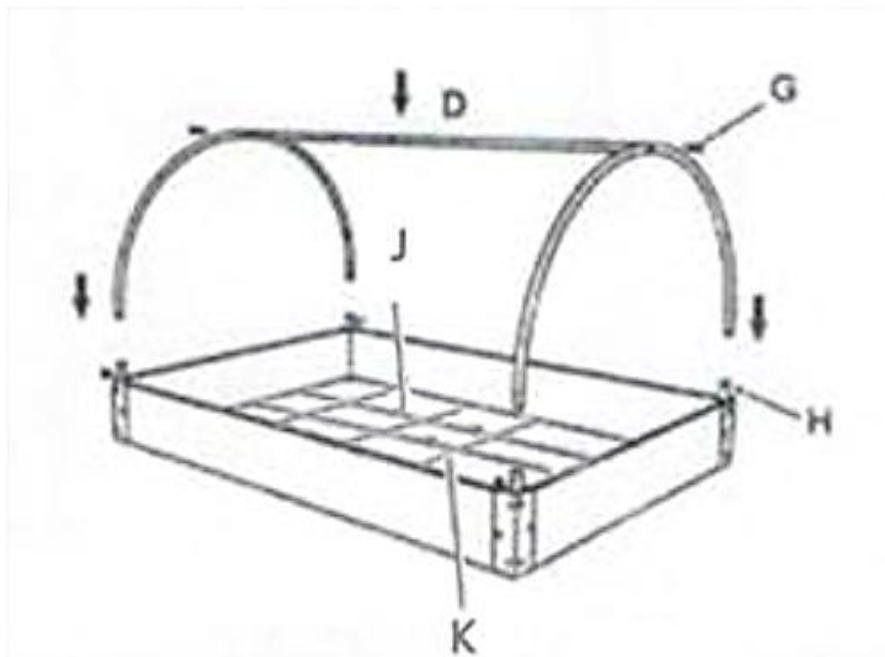


Assemble frame (A & B) connect with corner pieces (C) using bolts (H) where indicated.

Fill with soil before adding the compartments

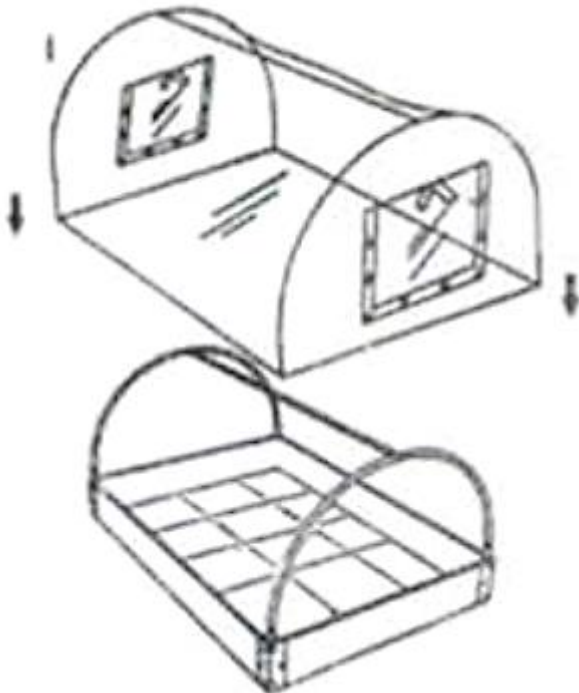


Connect parts E and F.



Assemble frame (D & G) and insert into holes in the base (H) as shown.

Place cover over the frame




Care and Maintenance

- Clean the tarpaulin with water. Do not use solvent or detergent based products.
- In case of string wind, it is advised to remove the tarpaulin.
- Regularly remove excess water or snow that can accumulate on the top of the tarpaulin.

DISPOSAL

- Coopers of Stortford use recyclable or recycled packaging where possible.
- Please dispose of all packaging, paper, cartons, packaging in accordance with your local recycling regulations.
- Plastics, polybags – Contains the following recyclable plastic.



Code & Symbol	 PVC
Type of Plastic	Polyvinyl Chloride
Commonly used for	Pipes, construction material, flooring, windows, guttering, blister packs
Notes	Not usually collected from household recycling bins, Sometimes recycled at local waste management centres.

- At the end of the product's lifespan please check with your local council authorised household waste recycling centre for disposal.