

# Curling Tong

H114 v01: 25/09/20

Please read and retain these instructions for future reference

vivadia



## Dimensions

32 x3.2 x3.2cm

- CURLING TONG WITH CERAMIC COATING
- COMMONLY USED TO CURL / STYLE FRINGES
- SOFTER HAIR FRAMING THE FACE CAN TAKE YEARS OFF YOU
- CREATE LOOSE CURLS TO ALL HAIR OR CREATE LIGHT WAVES FOR VOLUME
- PTC HEATING ELEMENT
- MAX TEMP OF 180 DEGREES
- ON/OFF SWITCH WITH LED INDICATOR
- 19MM CURLING TONG/ SWIVEL CORD 360 DEGREES
- 1.8M CABLE

## Technical details

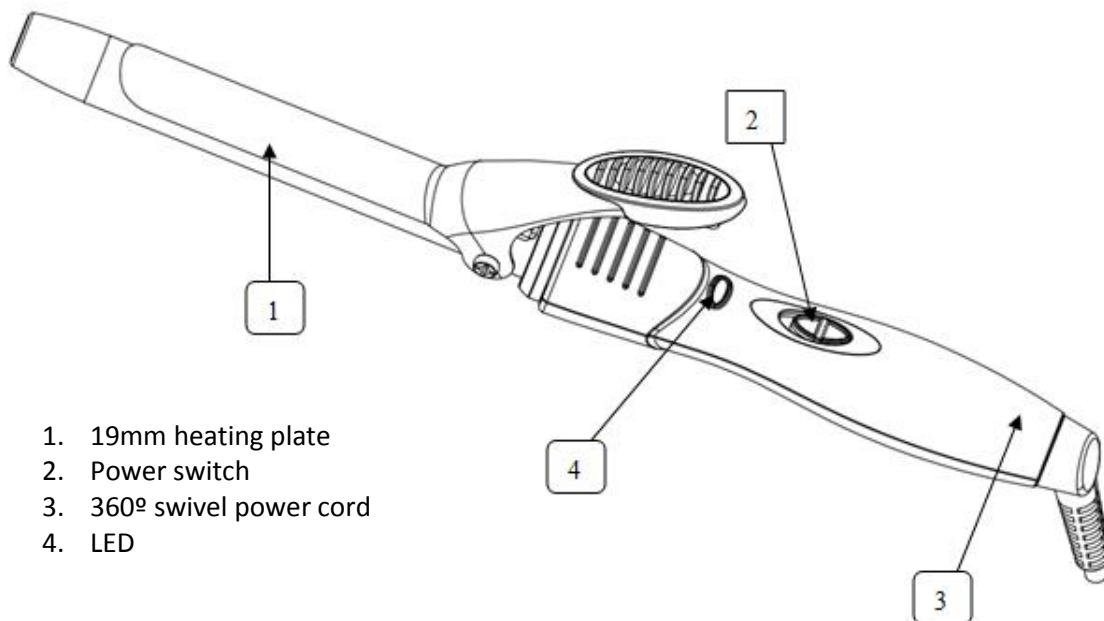
220-240V a.c., 50-60Hz, IPX0, 25W



**Caution**  
Hot surface

CAUTION! THIS ELECTRICAL APPLIANCE'S EXTERNAL SURFACES WILL GET HOT IN NORMAL USE.  
ALLOW TO COOL BEFORE TOUCHING THE EXTERNAL SURFACES.

## Parts




1. 19mm heating plate
2. Power switch
3. 360° swivel power cord
4. LED

\*Calls cost 7 pence per minute plus your telephone company's network access charge

The Enterprise Department  
Head Office: 11 Bridge Street  
Bishop's Stortford, CM23 2JU  
Tel: 0844 482 4400\*  
Fax: 01279 756 595  
[www.coopersofstortford.co.uk](http://www.coopersofstortford.co.uk)

**SAFETY PRECAUTIONS:**

**THE APPLIANCE'S HEATING PLATE BECOMES VERY HOT DURING USE. AVOID CONTACT WITH SKIN. MAKE SURE THAT THE SUPPLY CORD NEVER COMES INTO CONTACT WITH THE HOT PARTS OF THE APPLIANCE.**

- THE APPLIANCE MUST BE UNPLUGGED:
  - BEFORE CLEANING AND MAINTENANCE PROCEDURES.
  - IF IT IS NOT WORKING CORRECTLY.
  - AS SOON AS YOU HAVE FINISHED USING IT.
  - IF YOU LEAVE THE ROOM, EVEN IF ONLY FOR A SHORT WHILE.
- CAUTION: NEVER USE THE APPLIANCE IN THE BATHROOM, UNPLUG IT AFTER USE AS THE PRESENCE OF WATER NEARBY MAY POSE A DANGER EVEN WHEN THE APPLIANCE IS TURNED OFF.
-  THIS APPLIANCE MUST NEVER BE USED NEAR WATER (E.G. A FILLED WASH BASIN, BATHTUB OR SHOWER). DO NOT ALLOW THE APPLIANCE TO GET WET.
- **WARNING – DO NOT USE THIS APPLIANCE NEAR WATER IN BATHTUBS, BASINS OR OTHER VESSELS.**
- DO NOT PLACE HOT BRUSH ON SOFT MATERIAL E.G. CARPET, BEDDING, TOWELS, RUGS ETC.
- FOR ADDITIONAL PROTECTION, THE INSTALLATION OF A RESIDUAL CURRENT DEVICE (RCD) HAVING A RATED RESIDUAL OPERATING CURRENT NOT EXCEEDING 30MA IS ADVISABLE IN THE ELECTRICAL CIRCUIT SUPPLYING THE BATHROOM. ASK YOUR INSTALLER FOR ADVICE.

**WARNINGS AND SAFETY INSTRUCTIONS:**

WHEN USING ELECTRICAL APPLIANCES, BASIC SAFETY PRECAUTIONS SHOULD ALWAYS BE FOLLOWED:

- READ ALL INSTRUCTIONS BEFORE USE.
- FOR DOMESTIC INDOOR USE ONLY.
- DO NOT USE OUTDOORS OR FOR COMMERCIAL USE.
- BEFORE USE, CHECK THOROUGHLY FOR ANY DEFECTS AND DO NOT USE IF DEFECTS ARE FOUND. TAKE CARE NOT TO DROP THE APPLIANCE AS HEAVY IMPACTS MAY CAUSE INTERNAL DAMAGE.
- BEFORE CONNECTING THE APPLIANCE, CHECK IF THE VOLTAGE INDICATED ON THE BOTTOM OF THE APPLIANCE IS IN ACCORDANCE WITH THE MAINS VOLTAGE IN YOUR HOME.
- CHECK THE APPLIANCE AND POWER CABLE CAREFULLY FOR DAMAGE BEFORE EACH USE.
- THIS APPLIANCE CAN BE USED BY CHILDREN AGED FROM 8 YEARS AND ABOVE AND PERSONS WITH REDUCED PHYSICAL, SENSORY OR MENTAL CAPABILITIES OR LACK OF EXPERIENCE AND KNOWLEDGE IF THEY HAVE BEEN GIVEN SUPERVISION OR INSTRUCTION CONCERNING USE OF THE APPLIANCE IN A SAFE WAY AND UNDERSTAND THE HAZARDS INVOLVED. CHILDREN SHALL NOT PLAY WITH THE APPLIANCE. CLEANING AND USER MAINTENANCE SHALL NOT BE MADE BY CHILDREN WITHOUT SUPERVISION.
- CHILDREN OF LESS THAN 3 YEARS SHOULD BE KEPT AWAY UNLESS CONTINUOUSLY SUPERVISED.
- **SOME PARTS OF THIS PRODUCT CAN BECOME VERY HOT AND CAUSE BURNS. PARTICULAR ATTENTION HAS TO BE GIVEN WHERE CHILDREN AND VULNERABLE PEOPLE ARE PRESENT.**
- THE USE OF ANY ACCESSORY ATTACHMENTS NOT RECOMMENDED BY COOPERS OF STORTFORD MAY CAUSE INJURIES AND INVALIDATE ANY WARRANTY YOU MAY HAVE.
- DO NOT LET THE POWER CABLE HANG OVER THE EDGE OF A TABLE OR COUNTER, OR TOUCH HOT SURFACES.
- DO NOT PLACE ON OR NEAR HEAT SOURCES.
- DO NOT COVER THE ITEM IN ANY WAY WHEN IN USE AS THIS MAY CAUSE OVERHEATING.
- DO NOT USE THIS APPLIANCE FOR ANY OTHER USE THAN THE INTENDED USE IT IS DESIGNED FOR.

- TO PROTECT AGAINST ELECTRIC SHOCK, DO NOT IMMERSE POWER CABLE, PLUG OR APPLIANCE, IN WATER OR ANY OTHER LIQUID. DO NOT LEAVE THIS APPLIANCE UNATTENDED WHEN PLUGGED IN. RISK OF HEAT DAMAGE.
- UNPLUG FROM OUTLET WHEN NOT IN USE AND BEFORE CLEANING.
- DO NOT WRAP THE CORD AROUND THE APPLIANCE.
- NEVER USE WHILE SLEEPING.
- DO NOT USE OUTDOORS OR OPERATE WHERE AEROSOL (SPRAY) PRODUCTS ARE BEING USED OR WHERE OXYGEN IS BEING ADMINISTERED.
- DO NOT USE AN EXTENSION CORD WITH THIS APPLIANCE.
- THE WORKING SURFACES OF THE HOT BRUSH ARE HOT WHEN IN USE. DO NOT LET EYES AND BARE SKIN TOUCH HEATED SURFACES.
- DO NOT OPERATE WITH A VOLTAGE CONVERTER.
- CLEAN THE APPLIANCE AFTER USE TO AVOID THE ACCUMULATION OF GREASE AND OTHER RESIDUES.
- DO NOT OPERATE ANY APPLIANCE WITH A DAMAGED POWER CABLE OR PLUG OR AFTER THE APPLIANCE MALFUNCTIONS, OR HAS BEEN DAMAGED IN ANY MANNER. WE RECOMMEND THAT THE POWER CABLE IS NOT KINKED OR STORED IN A TWISTED MANNER, AND THAT YOU REGULARLY CHECK ITS CONDITION.
- ANY REPAIRS MUST BE CONDUCTED BY A QUALIFIED ELECTRICIAN OR ELECTRICAL SERVICE AGENT.

## OPERATION INSTRUCTION

The hair curler is designed work on ordinary household current only, 220-240Vac, 50/60Hz. It is not intended for commercial use.

### Getting started

- Fully unwind the mains cable.
- Only connect the machine to a properly installed safety socket.
- Slide the on/off switch (2) from off onto on until LED lights up.
- After approx. five minutes, the device is ready to use

## RECOMMENDATIONS

- Your hair must be untangled, clean and dry (in order not to damage your hair).
- Put your hair tong on a flat surface.
- Plug in the appliance and switch it on. Wait for 5 minutes until the appliance reaches the right temperature.
- The device must be used only for dry hair. Take a strand of hair and pull it carefully downwards until it is taut. The remaining hair should be put up or fixed in place. Before the halves are pressed together for approx. 5 seconds, we recommend that you ensure that the hair is positioned correctly. Always begin at the base of the hair and move the device in the direction of the hair tip. In order to produce a uniform appearance it is important that the next strands fall in one line. To ensure that the waves are retained for a prolonged period we recommend that you use only a coarse comb or your fingers.
- Please remove the mains plug after use. Leave it to cool for a few minutes before putting it away.

### TO STORE:

Unplug the appliance and let it cool, store in a clean, dry place. Store cord loosely coiled; never wrap the cord around the unit. This could cause the cord to wear prematurely and break. Do not put any stress on the

cord where it enters the handle, as it could cause the cord to fray and possibly break. Never hang the unit up by the power cord.

#### USER-MAINTENANCE INSTRUCTIONS:

- To clean the curling tong, make sure it is turned off and the plug is pulled out of the socket.
- Clean the casing with a soft, damp cloth, without any additional cleaning agents.
- Clean the product with slightly moist cloth, if necessary you can use a commercial dish washing detergent.
- Dry the product thoroughly after cleaning.
- To untwist the cord before use and if the cord becomes twisted due to use, periodically straighten. Store appliance and cord where they will not be damaged. Do not wrap cord around dryer.

Do not attempt to repair the appliance yourself. Consult a qualified technician.

#### PLUG WIRING (UK & IRELAND)

This appliance is fitted with a moulded BS 1363 13-amp plug. If you have to replace the fuse, only those that are ASTA or BSI approved to BS1362 and with a rated current of 13-amperes should be used.


If there is a fuse cover fitted, this cover must be re-fitted after changing the fuse. If the fuse cover is lost or damaged the plug must not be used. Spare fuse holders and fuses are available from electrical outlets. If the socket outlets in your home or office are not suitable for this product's plug, the plug must be removed and disposed of safely.

Attempts to insert the plug into the wrong socket is likely to cause electric hazard.

#### DISPOSAL

- Coopers of Stortford use recyclable or recycled packaging where possible.
- Please dispose of all packaging, paper, cartons, packaging in accordance with your local recycling regulations.
- Plastics, polybags – Contains the following recyclable plastic.



Code & Symbol	 OTHER
Type of Plastic	ABS, PBT, PA, PC
Commonly used for	CD's, crisp packets, various flexible packaging, baby bottles, sunglass lenses
Notes	Not often or widely recycled

- At the end of the product's lifespan please check with your local council authorised household waste recycling centre for disposal.

