

Touch Free Soap Dispenser

H133 v01: 04/09/20

Please read and retain these instructions for future reference



Dimensions

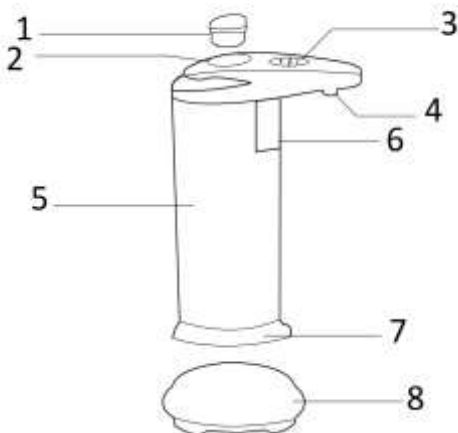
19 x11 x7.5cm

- NO TOUCH AUTOMATIC SOAP DISPENSER + HAND SANITISER
- DISPENSES SOAP OR HAND SANITISER AT THE WAVE OF A HAND UNDER SPOUT
- EASY TO FILL WITH TWIST TOP
- DRIP FREE SO IT WON'T LEAVE ANY ANNOYING RESIDUE
- EFFICIENT WAY TO WASH YOUR HANDS WITH NO GERMS OR SMUDGES LEFT BEHIND - COMPLETELY TOUCH FREE. PERFECT FOR BATHROOMS AND KITCHENS
- REQUIRES 4x AAA BATTERIES (NOT INCLUDED)
- 280ML CAPACITY

Safety Instructions

1. Please keep the surface of the unit clean. Wipe the body with a cloth regularly to avoid long-term corrosion on the unit.
2. Do not attempt to repair the unit.
3. Do not wash the dispenser. Wipe clean with a damp cloth.
4. Avoid direct sunlight to the infrared panel.

Parts



1. Top Cover
2. Liquid Holder
3. Switch / Volume control
4. Liquid soap nozzle
5. Dispenser body
6. Indicator
7. Battery Compartment
8. Stand

*Calls cost 7 pence per minute plus your telephone company's network access charge

The Enterprise Department
Head Office: 11 Bridge Street
Bishop's Stortford, CM23 2JU
Tel: 0844 482 4400*
Fax: 01279 756 595
www.coopersofstortford.co.uk

Assembly instructions



Operation

- Place batteries in the battery compartment as shown in diagram above. Please refer to Batteries section for instructions
- Unlock the top cover by turning it anti-clockwise. Gently pull cover to remove. Fill the compartment with soap. Please make sure that the soap does not contain solid particles in order to avoid clogging.
- To switch on, press the (+) button on the top for 3 seconds. If you wish to turn it off, press the (-) button for a further 3 seconds.
- To adjust volume of soap dispensed, press +/- button until the desired volume. There are 4 adjustable levels.
- Place your hand under the sensor (light indicator) to dispense soap.

Battery Removal and Installation Instructions

Unscrew the cover at the bottom of the unit and then remove the cap.

2. Insert 4 x AAA batteries into the compartment and make sure the polarity is correct. DO NOT MIX OLD BATTERIES WITH NEW BATTERIES.

3. Put the cover back into position and screw it back into place.

4. Please remove batteries if unit is not in use to avoid damage.


BATTERIES

- Keep batteries away from children and pets.
- Do not mix used and new batteries.
- Remove the batteries if left for long periods.
- Never dispose of batteries in a fire.
- Battery disposal, spent or expired batteries must be properly disposed of and recycled in compliance with local regulations. For detailed information, contact your local authority.
- Follow the battery manufacturer's safety, usage, and disposal instructions.

DISPOSAL

- Coopers of Stortford use recyclable or recycled packaging where possible.
- Please dispose of all packaging, paper, cartons, packaging in accordance with your local recycling regulations.
- Plastics, polybags – Contains the following recyclable plastic.



Code & Symbol	 LDPE
Type of Plastic	Low Density Polyethylene
Commonly used for	Shopping bags, bread bags, squeeze bottles, stretch/pallet wrap, bubble wrap, multi-pack can holders
Notes	Usually recyclable supermarket deposit points. Check other plastic films as any non-polythene film e.g. cling film, crisp packets film lids

- At the end of the product's lifespan please check with your local council authorised household waste recycling centre for disposal.

