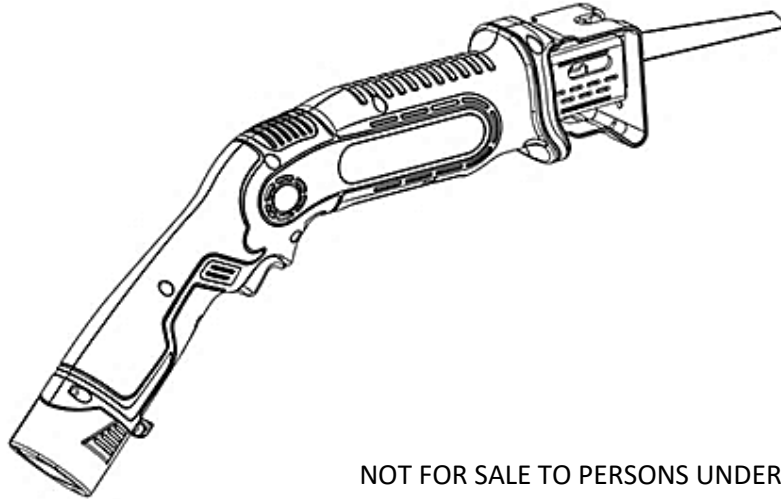


Orange Cordless Saw Rechargeable

H223 v02: 13/04/22

Please read and retain these instructions for future reference



NOT FOR SALE TO PERSONS UNDER 18 YRS

Technical data

Voltage: DC 10.8V

Weight: 1.25Kg

Stroke rate: 0-2100/min

Stroke: 15mm

Cutting capacity: max diameter in wood 80mm / in soft metal 7mm

Charging time: Between 5.0 - 5.5 Hours

Battery: 10.8V 1.5Ah Li-ion

Noise: Sound pressure level LpA = 75.09 dB (A), uncertainty K=3dB (A)

Sound power level LWA = 86.09 dB (A), uncertainty K= 3dB (A)

Vibration: In accordance with Machinery Directive 2006/42/EC and EN60745

Front Handle: 4.095m/s²

Rear Handle: 3.004m/s²

Work Mode: cutting boards

Vibration emission: Main handle - $\alpha_{h,B}$: 9,924 m/s², $\alpha_{h,WB}$: 8,501 m/s²

Uncertainty: K= 1.5m/s²

Work Mode: cutting sheet metal

Vibration emission: Auxilliary handle - $\alpha_{h,B}$: 10,751m/s², $\alpha_{h,WB}$: 9,768 m/s²

Uncertainty: K= 1.5m/s²

Before use

- Read all safety warnings and all instructions before use.
- The term "power tool" in this manual refers to your rechargeable saw.
- Keep work area clean and well lit.
- Always check for damage prior to using the power tool. Any damage should be repaired properly by a qualified service engineer. If experiencing any difficulty consult your local dealer.
- This appliance is not intended for use by children. Children shall not play with the appliance.
- This appliance can be used by persons with reduced physical, sensory or mental capabilities or lack of experience and knowledge if they have been given supervision or adult instruction concerning use of the appliance in a safe way and understand the hazards involved. Cleaning and user maintenance shall be conducted by adults only.
- Do not operate power tools in explosive atmospheres, such as in the presence of flammable liquids, gases or dusts. Power tools create sparks which may ignite dust or fumes.

Orange Cordless Saw Rechargeable H223 Instructions for Use

Please read and retain these instructions for future reference

v002:13/04/22

- Keep children and bystanders away while operating a power tool. Distractions can cause accidents.
- To protect against electric shock, do not immerse cord, plug or appliance in water or any other liquid.
- The use of accessory attachments is not recommended, may cause injuries, and invalidate any warranty you may have.
- Keep tools clean and well maintained. Check for any damage before use.
- Use the tool and parts in accordance with these instructions.
- Do not force the power tool. Use the correct power tool for your application. The correct tool will help to do the job better and more safely.
- Do not use the power tool if the switch does not turn off and on. This must be repaired before further use.
- Disconnect the plug from the power source and/or the battery pack from the power tool before making any adjustments, changing accessories or storing the tool.
- Store tools out of the reach of children.
- Do not use this appliance for any other use than the intended use it is designed for.
- Take care not to drop the appliance as heavy impacts may cause internal damage.

Electrical safety

- Power tool plugs must match the outlet. Never modify the plug in any way. Do not use any adapter plugs with earthed (grounded) power tools. Unmodified plugs and matching outlets will reduce the risk of electric shock.
- Do not expose power tools to rain or wet conditions. Water entering a power tool will increase the risk of electric shock.
- Keep cords away from heat, sharp edges or moving parts. Damaged and entangled cords increase the risk of electric shock.
- When operating a power tool outdoors, use an extension cord suitable for outdoor use.
- It is our recommendation that an RCD (residual current device) is always used when using power tools to protect the user from sustained electric shock in the event of electrical short circuit or in the event of mains cables accidentally being cut and protect the electrical supply.

Personal safety

- Stay alert, watch what you are doing and use common sense when operating a power tool.
- Do not use a power tool while you are tired, under the influence of drugs, medication or alcohol.
- Use personal protective equipment. Eye protection, dust masks, hearing protection and non-skid shoes can all help reduce personal injury.
- Ensure the switch is in off position before connecting tool to power source and/or battery pack.
- Do not overreach. Keep proper footing and balance at all times.
- Dress properly. Do not wear loose clothing or jewellery. Keep your hair, clothing and gloves away from moving parts.
- Disconnect the plug from the power source and/or the battery pack from the power tool before making any adjustments, changing accessories or storing the power tool.
- Keep hands away from the sawing range. Do not reach under or over the tool whilst it is in operation.

**The Enterprise
Department**

UK Head Office, 11 Bridge Street, Bishop's Stortford, CM23 2JU

Tel: 0844 4824400*, Fax: 01279 756595

www.coopersofstortford.co.uk

EU address: D.S.B. LD, 160 Bd. de Fourmies, 59100 Roubaix, France

Tel: (+44) 1279 701269

*UK Calls cost around 7 pence per minute plus your telephone company's network access.
Please check with your telephone supplier.

Orange Cordless Saw Rechargeable H223 Instructions for Use

Please read and retain these instructions for future reference

v002:13/04/22

- Apply the saw to the work piece only when switched on. Otherwise there is danger of kickback when the cutting tool jams in the work piece.
- Hold saw by insulated gripping surfaces only.
- Do not use the saw if damaged in anyway.
- When the cut is complete, switch of the tool, wait for all moving parts to standstill, then carefully remove the blade out of the cut.
- Use only undamaged saw blades that are in perfect condition. Bent or dull saw blades can break, negatively influence the cut, or lead to kickback.
- Do not support the material to be cut by your hand or foot. Clamp material before starting to cut it.
- Contact with electric lines, gas and water lines can be dangerous and can cause damage to property. Call your local utility company for assistance with this.
- Always wait until your power tool has stopped moving before placing it down.
- Protect the power tool against excessive heat, fire, water and moisture.
- Secure the unit well during transport to prevent damage or injury.

Battery tool use and care

- Recharge only with the specified charger supplied by the manufacturer.
- Use power tools only with battery pack supplied by the manufacturer.
- When battery pack is not in use store it away from other metal objects that it can make a connection with. Shorting the battery terminal may create a risk of fire.
- Have your power tool serviced by a qualified technician using identical replacement parts.
- Never attempt to open or modify the battery for any reason.
- Do not expose to water.
- Do not store in locations where the temperature may exceed 40 degrees Celsius.
- Charge at room temperature between 18 – 24 degrees Celsius, never below 4 degrees or above 40 degrees.
- Ensure the battery and charger are kept clean.
- Do not dispose of battery in fire as it may explode. Dispose of old batteries in accordance with local recycling regulations.
- Never attempt to charge non-rechargeable batteries.
- Do not expose the charger to water.
- Do not operate appliance with a damaged cord or plug or after the appliance malfunctions, or has been damaged in any manner. We recommend that the power cord is not stored kinked or in a twisted manner, and that you regularly check its condition.

**The Enterprise
Department**

UK Head Office, 11 Bridge Street, Bishop's Stortford, CM23 2JU

Tel: 0844 4824400*, Fax: 01279 756595

www.coopersofstortford.co.uk

EU address: D.S.B. LD, 160 Bd. de Fourmies, 59100 Roubaix, France

Tel: (+44) 1279 701269

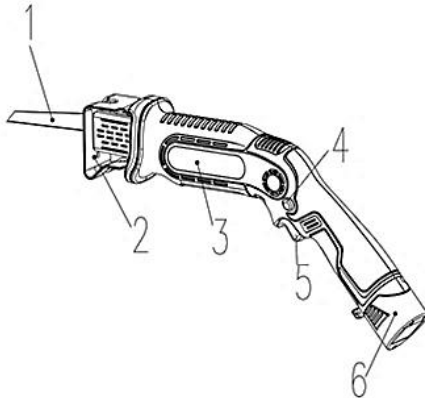
*UK Calls cost around 7 pence per minute plus your telephone company's network access.
Please check with your telephone supplier.

Orange Cordless Saw Rechargeable H223 Instructions for Use

Please read and retain these instructions for future reference

v002:13/04/22

Parts:



1. Blade
2. Head Protection
3. Power Head
4. Trigger Lockout
5. Trigger
6. Battery - 10.8V 1.5Ah Li-ion

Fig 1

Recharging the battery

- Charge the battery before first use and whenever it fails to provide sufficient power on jobs that were easy to perform previously.
- The battery may become warm while charging, this is normal and does not indicate a problem.

Note: After several charges and discharge cycles, the battery will attain full capacity.

- Connect battery charger plug to indoor mains socket only.
- Do not charge the battery at ambient temperatures below 4 degrees Celsius or above 40 degrees Celsius.
- Before switching the product on, make sure that the voltage of your electricity supply corresponds with what is indicated on the rating label.
- Plug the charger in and switch on at the socket. The battery charger indicator lights will illuminate.
- Insert the battery and charging will progress. The indicator lights up red during charging.
- The battery is completely charged when the indicator lights up green.
- Disconnect the charger when not in use, and store in a dry place.
- Your battery pack should charge between 5.0 – 5.5 hours.
- Always allow your battery to cool down before charging.
- Do not charge the battery pack in temperatures below 4 degrees Celsius or above 40 degrees Celsius as this could cause serious damage to the battery.
- If the battery fails to charge properly, check that your plug socket is working properly.
- Do not continue using this product with its battery pack in a depleted condition.
- To prolong battery life, avoid leaving the battery pack on charge for extended periods of time.
- There is no need to run the batteries down completely before recharging. Normal usage is the best method of discharging and recharging the batteries.

Operation

- Use only saw blades suitable for the material being worked.

Warning:

- Remove the battery from the saw before inserting/ replacing the saw blade.

**The Enterprise
Department**

UK Head Office, 11 Bridge Street, Bishop's Stortford, CM23 2JU

Tel: 0844 4824400*, Fax: 01279 756595

www.coopersofstortford.co.uk

EU address: D.S.B. LD, 160 Bd. de Fourmies, 59100 Roubaix, France

Tel: (+44) 1279 701269

*UK Calls cost around 7 pence per minute plus your telephone company's network access.
Please check with your telephone supplier.

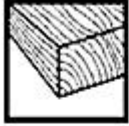
Orange Cordless Saw Rechargeable H223 Instructions for Use

Please read and retain these instructions for future reference

v002:13/04/22

Severe injury or death could occur from body contact with moving blades.

Selecting accessories/spare parts



Top for Wood

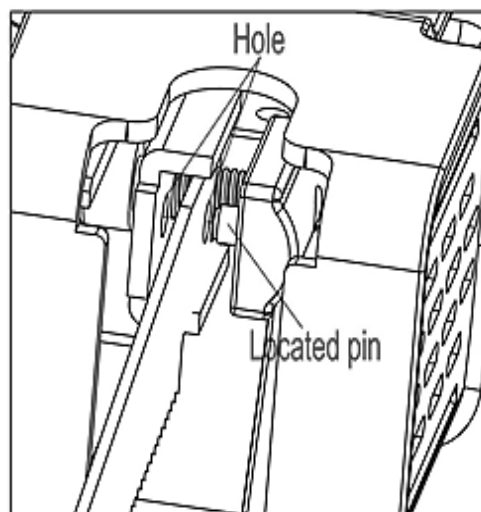
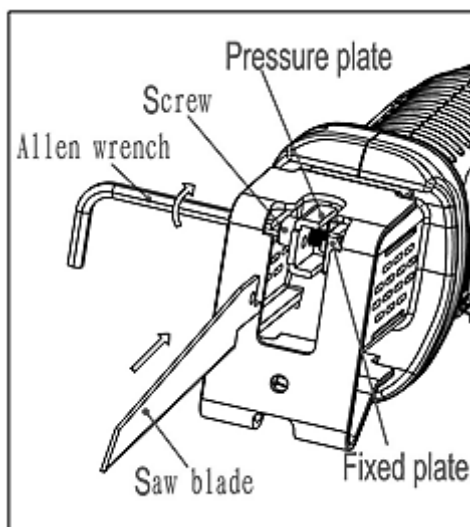


Flexible for Metal



Flexible for Wood and Metal

Inserting/Replacing a saw blade



**The Enterprise
Department**

UK Head Office, 11 Bridge Street, Bishop's Stortford, CM23 2JU

Tel: 0844 4824400*, Fax: 01279 756595

www.coopersofstortford.co.uk

EU address: D.S.B. LD, 160 Bd. de Fourmies, 59100 Roubaix, France

Tel: (+44) 1279 701269

*UK Calls cost around 7 pence per minute plus your telephone company's network access.
Please check with your telephone supplier.

Orange Cordless Saw Rechargeable H223 Instructions for Use

Please read and retain these instructions for future reference

v002:13/04/22

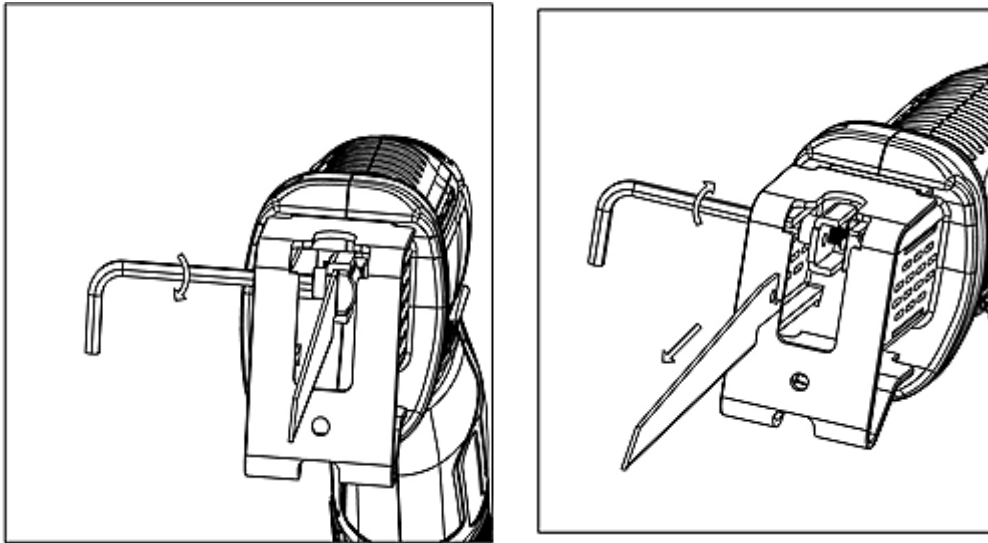


Fig 2

Loosen screw with Allen wrench as shown to take out the blade. Insert new blade, re-insert screw, push through the hole on the blade and re-tighten. (Fig 2)

Inserting/ removing the battery (Fig 3)

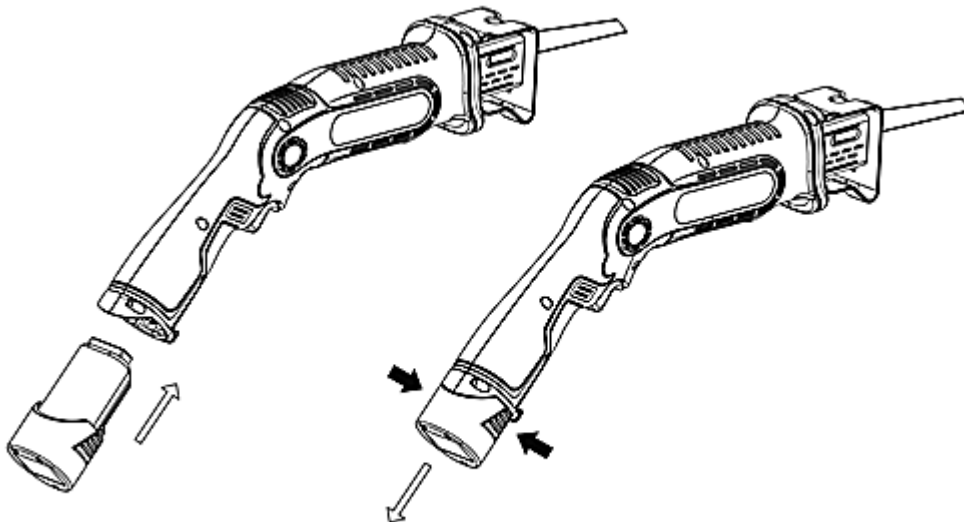


Fig.3

Before maintenance, changing the saw heads, or transportation, ensure the on/off switch is in the off position.

There is danger of injury when the on/off switch is unintentionally activated.

**The Enterprise
Department**

UK Head Office, 11 Bridge Street, Bishop's Stortford, CM23 2JU

Tel: 0844 4824400*, Fax: 01279 756595

www.coopersofstortford.co.uk

EU address: D.S.B. LD, 160 Bd. de Fourmies, 59100 Roubaix, France

Tel: (+44) 1279 701269

*UK Calls cost around 7 pence per minute plus your telephone company's network access.
Please check with your telephone supplier.

Orange Cordless Saw Rechargeable H223 Instructions for Use

Please read and retain these instructions for future reference

v002:13/04/22

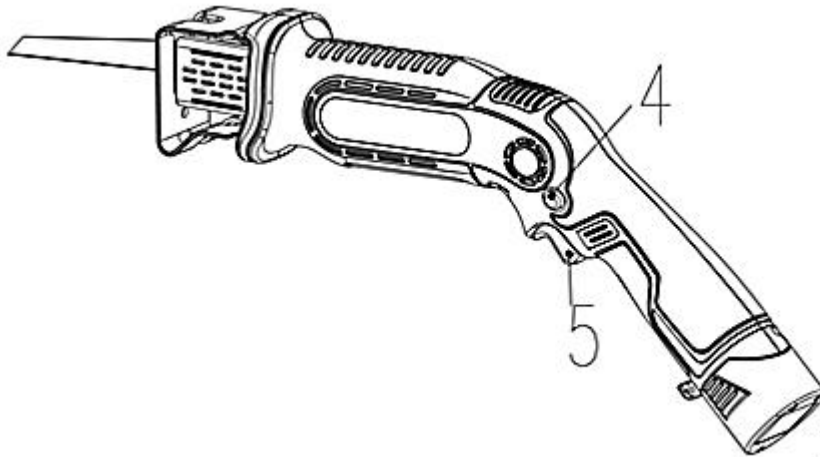
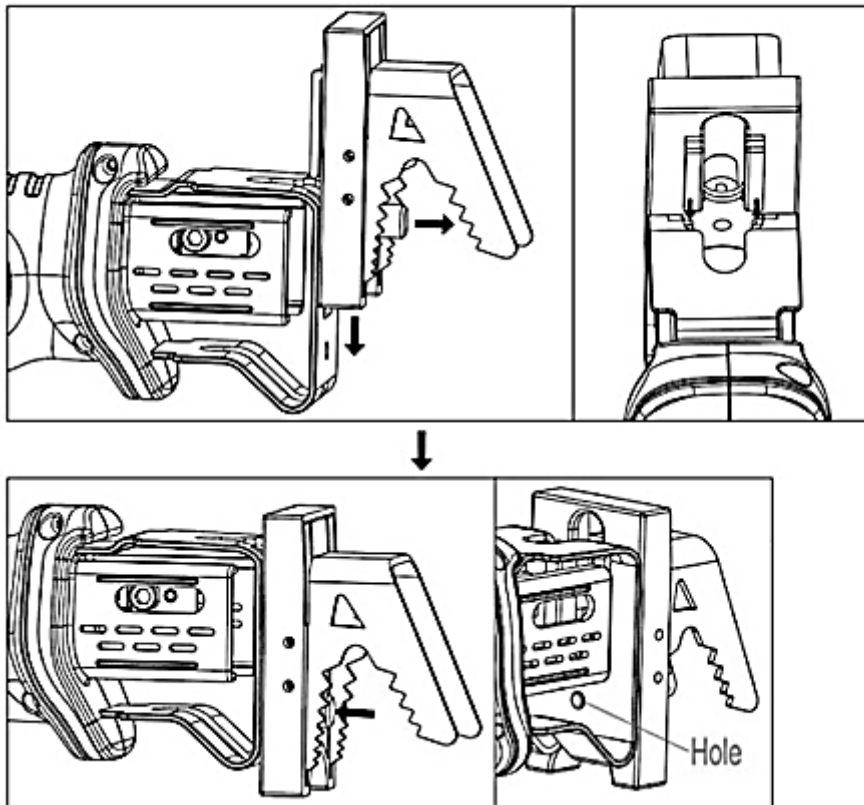


Fig.4

When ready to cut, depress trigger 4 and trigger 5. This will turn the saw on. Releasing the triggers will turn the saw off.

Mounting the Hook

(WARNING: Removing the saw blade before mounting the hook.)



**The Enterprise
Department**

UK Head Office, 11 Bridge Street, Bishop's Stortford, CM23 2JU

Tel: 0844 4824400*, Fax: 01279 756595

www.coopersofstortford.co.uk

EU address: D.S.B. LD, 160 Bd. de Fourmies, 59100 Roubaix, France

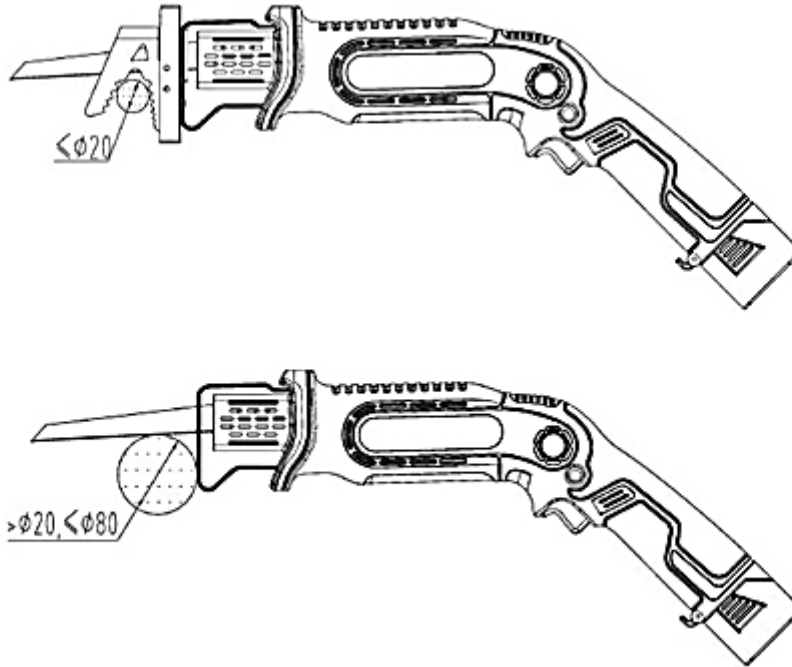
Tel: (+44) 1279 701269

*UK Calls cost around 7 pence per minute plus your telephone company's network access. Please check with your telephone supplier.

Orange Cordless Saw Rechargeable H223 Instructions for Use

Please read and retain these instructions for future reference

v002:13/04/22



Working advice

- WEAR PROTECTIVE GLOVES WHEN CHANGING SAW BLADES.
- DO NOT HOLD THE TOOL AROUND THE ON/OFF SWITCH WHEN CHANGING THE SAW BLADE.
- THERE IS DANGER OF INJURY WHEN THE ON/OFF SWITCH IS UNINTENTIONALLY ACTIVATED.
- ENSURE THAT THE SAW BLADE HOLDER IS FREE FROM MATERIAL RESIDUE, E.G. WOOD OR METAL SHAVINGS.
- GRASP THE SAW FIRMLY WITH ONE HAND WHILST SAWING.
- WARNING! WHILST SAWING DO NOT TOUCH THE HOOK, THE BLADE OR THE AIR VENTS.
- LEAVE THE SAW TO COOL DOWN AFTER USE.

Maintenance and Cleaning (by responsible adult)

- Ensure the on/ off switch is set to off before carrying out any maintenance or changing the tool.
- Always remove the blade before any work on the tool is carried out.
- Always keep ventilation slots clean.
- Clean the saw blade holder with compressed air or a soft brush. Remove the saw blade from the power tool during cleaning.
- Store the power tool in a secure, dry place, out of the reach of children. Do not place other objects on the power tool.

**The Enterprise
Department**

UK Head Office, 11 Bridge Street, Bishop's Stortford, CM23 2JU

Tel: 0844 4824400*, Fax: 01279 756595

www.coopersofstortford.co.uk

EU address: D.S.B. LD, 160 Bd. de Fourmies, 59100 Roubaix, France

Tel: (+44) 1279 701269

*UK Calls cost around 7 pence per minute plus your telephone company's network access.
Please check with your telephone supplier.

Orange Cordless Saw Rechargeable H223 Instructions for Use

Please read and retain these instructions for future reference

v002:13/04/22

CHARGERS

- 1. Use your charger only to charge the battery in the tool which it was supplied. Other batteries could burst, causing personal injury and damage.
- 2. Never attempt to charge non-rechargeable batteries.
- 3. Do not expose the charger to water.
- 4. Do not open the charger.
- 5. Do not probe the charger.

RECHARGEABLE BATTERY

CHARGING BATTERY (Fig.5)

Before attempting to charge the battery pack, thoroughly read all Safety Instructions.

The battery needs to be charged before first use and whenever it fails to produce sufficient power.

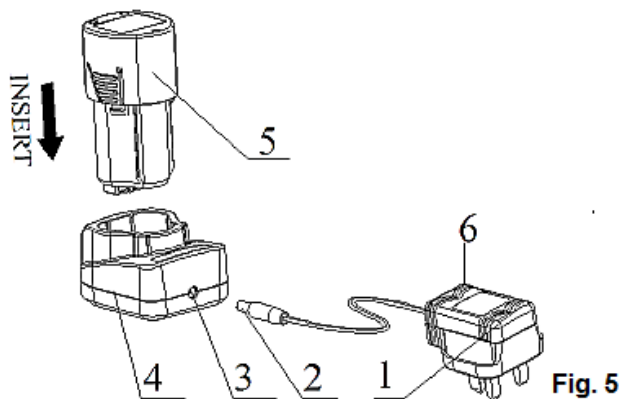
The battery may become warm while charging. This is normal and does not indicate a problem.

NOTE: After several charge and discharge cycles, the battery will attain full capacity.

Connect battery charger plug to indoor mains socket only.



DO NOT CHARGE THE BATTERY AT AMBIENT TEMPERATURES BELOW 4°C OR ABOVE 40°C



- Plug the mains plug of the adaptor (1) into an indoors mains socket outlet and the adaptor plug (2) into the socket (3) on the charger station (4). At this time, the battery charge-control indicator (6) lights up green. Then insert the battery pack into the charger station (4). The battery charge-control indicator lights up red indicating charging is in progress. The battery is completely charged when the indicator lights up green again.
- Disconnect the battery charger from the mains supply when not using it for longer periods.

IMPORTANT CHARGING NOTES

1. After normal usage, your battery pack should be fully charged in about 5.0 - 5.5 hours. Allow the battery to cool down before charging after using the saw. (**NOTE:** A hot battery placed in the charger will not charge)
2. **DO NOT** charge the battery pack in an air temperature below 4 °C or above 40 °C. This is important and will prevent serious damage to the battery pack. Longer life and best performance can be obtained if the battery pack is charged when air temperature is about 24°C.

**The Enterprise
Department**

UK Head Office, 11 Bridge Street, Bishop's Stortford, CM23 2JU

Tel: 0844 4824400*, Fax: 01279 756595

www.coopersofstortford.co.uk

EU address: D.S.B. LD, 160 Bd. de Fourmies, 59100 Roubaix, France

Tel: (+44) 1279 701269

*UK Calls cost around 7 pence per minute plus your telephone company's network access.
Please check with your telephone supplier.

Orange Cordless Saw Rechargeable H223 Instructions for Use

Please read and retain these instructions for future reference

v002:13/04/22

While charging, the charger may hum and become warm to touch. This is a normal condition and does not indicate a problem.

3. If the battery pack does not charge properly
 - a. Check current at receptacle by plugging in a lamp or other appliance.
 - b. Check to see if receptacle is connected to a light switch which turns power off when you turn out the lights.
 - c. Move charger and battery pack to a surrounding air temperature of 4°C to 40°C.
 - d. If the receptacle and temperature are satisfactory and you do not get proper charging contact an electrician or local power tool service centre.
4. The battery pack needs to be charged before first use and should be recharged when it fails to produce sufficient power. **DO NOT CONTINUE** using this product with its battery pack in a depleted condition. (NOTE: After several charge and discharge cycles, the battery will attain full capacity.)
5. To prolong battery life, avoid leaving the battery pack on charger for extended periods of time (over 30 days without use). Although overcharging is not a safety concern, it can significantly reduce overall battery life.

Explanation of symbols on your product



Read instruction manual.



General hazard safety alert.



Keep bystanders a safe distance away from the power tool.



Do not use the power tool in the rain or leave it outdoors when it is raining.



Wear heavy-duty gloves to protect your hands.

BATTERIES

- Keep batteries away from children and pets.
- Do not mix used and new batteries.
- Remove the batteries if left for long periods.
- Never dispose of batteries in a fire.
- Battery disposal, spent or expired batteries must be properly disposed of and recycled in compliance with local regulations. For detailed information, contact your local authority.
- Follow the battery manufacturer's safety, usage, and disposal instructions.

**The Enterprise
Department**

UK Head Office, 11 Bridge Street, Bishop's Stortford, CM23 2JU

Tel: 0844 4824400*, Fax: 01279 756595

www.coopersofstortford.co.uk

EU address: D.S.B. LD, 160 Bd. de Fourmies, 59100 Roubaix, France

Tel: (+44) 1279 701269

*UK Calls cost around 7 pence per minute plus your telephone company's network access.
Please check with your telephone supplier.

Orange Cordless Saw Rechargeable H223 Instructions for Use



Please read and retain these instructions for future reference

v002:13/04/22

DISPOSAL

- Coopers of Stortford use recyclable or recycled packaging where possible.
- Please dispose of all packaging, paper, cartons, packaging in accordance with your local recycling regulations.
- Plastics, polybags – this is made from the following recyclable plastic.



Code & Symbol	Type of Plastic	Commonly used for	Notes
 OTHER Machine	ABS (Acrylonitrile butadiene styrene) PVE (Polyvinyl ether)	CD's, crisp packets, various flexible packaging, baby bottles, sunglass lenses	Not often or widely recycled
 OTHER Bags	PE (Polyethylene)		

- At the end of the product's lifespan please check with your local council authorised household waste recycling centre for disposal.

DECLARATION OF CONFORMITY

Coopers of Stortford that the Cordless Rechargeable Saw H223 (Model NO: J0F-2ET-1-.8)

Conforms to the following European Directives and standards

Machinery Directive 2006/42/EC

EN60745-1:2009+A11, EN 60743-2-11:2010 & EN ISO 11680-1:2011

Low Voltage Directive 2014/35/EU

EN60335-2-29:2004+A2:2010, EN60335-1:2012+A11:2-14 and EN62233:2008

EMC Directive 2014/30/EU

EN55014-1:2006+A1:2009+A2:2011

EN55014-2:1997+A1:2001+A2:2008

EN61000-3-2:2014

EN61000-3-3:2013

RoHS Directive 2011/65/EU

The Technical file in accordance with 2006/42/EC is available from:

Coopers of Stortford, 11 Bridge Street, Bishop's Stortford, Hertfordshire, CM23 2JU



**The Enterprise
Department**

UK Head Office, 11 Bridge Street, Bishop's Stortford, CM23 2JU

Tel: 0844 4824400*, Fax: 01279 756595

www.coopersofstortford.co.uk

EU address: D.S.B. LD, 160 Bd. de Fourmies, 59100 Roubaix, France

Tel: (+44) 1279 701269

*UK Calls cost around 7 pence per minute plus your telephone company's network access.
Please check with your telephone supplier.