

Rocking Garden Chair with Shade

H256 v001: 28/09/20

Please read and retain these instructions for future reference

GAINSBOROUGH
Garden & Wildlife



Dimensions

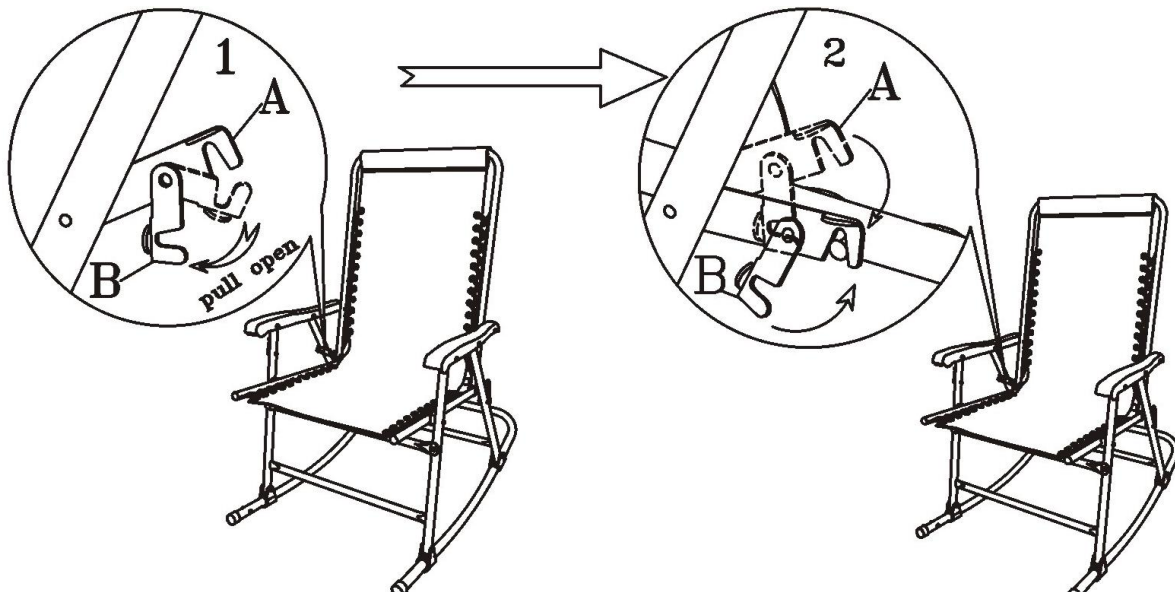
94 x68 x107cm

- ENJOY THE COMFORT AND RELAXATION OUR ROCKING GARDEN CHAIR PROVIDES
- PERFECT FOR ENJOYING THE LONG SUMMER DAYS
- WITH BUILT IN SUN SHADE FOR UV PROTECTION AND PADDED HEADREST YOU COULD HAPPILY RELAX FOR HOURS
- ROCKING BASE (WITH ANTI-TIPPING FEATURE)
- IN A STYLISH MOCHA LEAF DESIGN
- **WEIGHT CAPACITY 120kg**

ASSEMBLY INSTRUCTIONS / INSTRUCTIONS FOR USE:

Unpack the components carefully. Please check all parts have been removed from the packaging.

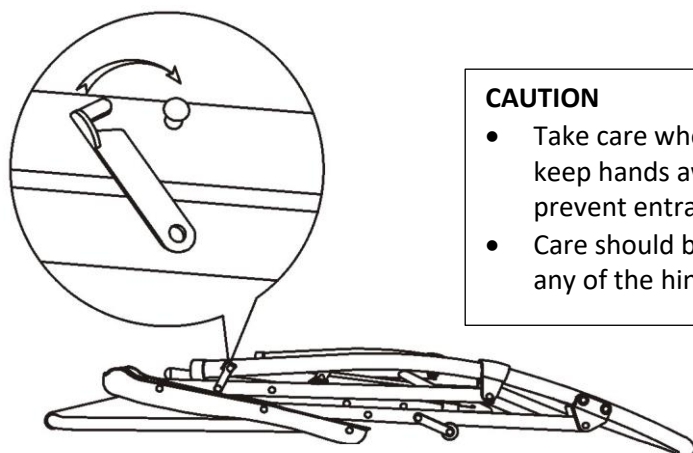
Assembly



- **Unfold the sunshade if required.**

*Calls cost 7 pence per minute plus your telephone company's network access charge

The Enterprise Department
Head Office: 11 Bridge Street
Bishop's Stortford, CM23 2JU
Tel: 0844 482 4400*
Fax: 01279 756 595
www.coopersofstortford.co.uk

Advisory Notes**CAUTION**

- Take care when opening and closing the chair and keep hands away from the folding mechanism to prevent entrapment.
- Care should be exercised so as not to trap finger in any of the hinged parts of this furniture.

- This furniture comes fully assembled. Before using please ensure all components and fixings are secure.
- Setting up this furniture should be carried out by a competent adult.
- Pregnant women should take extra care when using this product.
- Always use on firm level ground, ensuring that all legs remain in contact with the ground.
- Never stand on the fabric.
- Maximum weight: 120kg
- Do not let children play or jump on this furniture.
- Periodic structural checks of this furniture should be undertaken, do not use if you have any doubts about its fitness for purpose.
- This furniture should be stored under cover during prolonged spells of adverse weather (wet or cold) and also during the winter (ideally in a garden shed or garage). Always clean and dry thoroughly before storage.

Care of outdoor leisure furniture

Please follow the care instructions in order to maintain the appearance and life of this outdoor furniture.

Use warm soapy water and a damp cloth to clean the frame and the fabric slings of the furniture. Pad out excess moisture with a dry towel after rinsing and allow to air dry.

Never use any solvents, scourers, abrasives, bleach, acids, strong detergents, aggressive chemical cleaners or solvent type cleaning solution on the furniture.

Do not use high-pressure washer for cleaning of this product.

To help maintain its appearance and to avoid scratches, never place sharp pointed objects directly onto the surface of the furniture.

This furniture has been treated during production with a high quality coating; it is important that deep scratches or scores are avoided, as these could break through to the bare metal and lead to an onset of rust.

DISPOSAL

- Coopers of Stortford use recyclable or recycled packaging where possible.
- Please dispose of all packaging, paper, cartons, packaging in accordance with your local recycling regulations.
- At the end of the product's lifespan please check with your local council authorised household waste recycling centre for disposal.

