

Parasol Drinks Table

H267 WH v01: 16/11/20

Please read and retain these instructions for future reference

GAINSBOROUGH
Garden & Wildlife

Dimensions

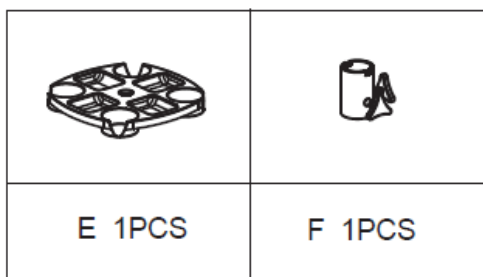
42.5cm x42.5cm



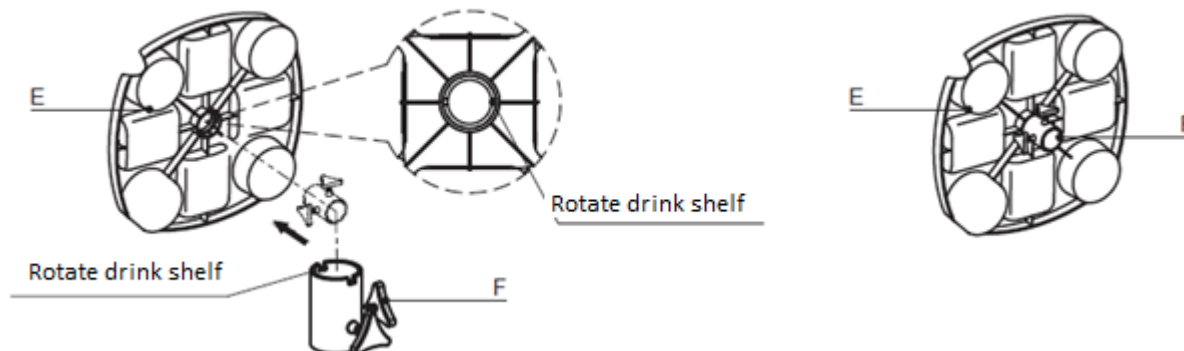
- THIS HANDY PARASOL DRINKS TABLE IS IDEAL FOR WHEN SPACE IS A PREMIUM OR FOR WHEN YOU ARE OUT AND ABOUT ON A PICNIC OR VISITING THE PARK
- IT SIMPLY SLIDES ONTO THE PARASOL POLE AND THEN CAN BE USED TO STORE DRINKS, GLASSES, KEYS, WALLET ETC
- CAN BE USED ON MOST STANDARD SIZED PARASOLS BUT PERFECT FOR US WITH OUR PORTABLE PARASOL RANGE H272 GR, H272 RC
- WITH 4 ROUND DRINK HOLDER SLOTS THAT EVEN HAVE A GAP SO THE HANDLE OF A MUG CAN SLOT IN AND 4 TRAYS FOR STORING KEYS, GLASSES ETC
- HOLE IN CENTRE 4CM CM'S ROUND
- Max weight load: 10kgs

ASSEMBLY INSTRUCTIONS / INSTRUCTIONS FOR USE:

Unpack the components carefully. Please check all parts have been removed from the packaging.

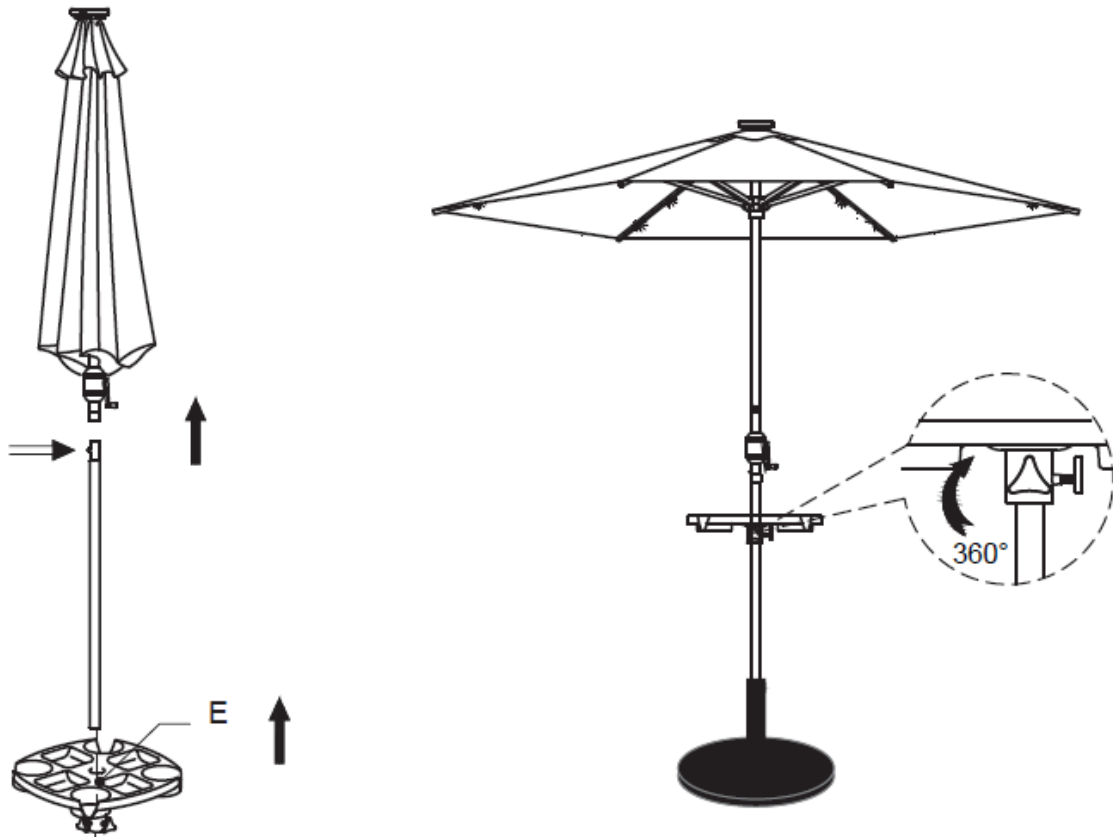


Suitable for all parasol pole diameters below or equal to 38MM



*Calls cost 7 pence per minute plus your telephone company's network access charge


The Enterprise Department
Head Office: 11 Bridge Street
Bishop's Stortford, CM23 2JU
Tel: 0844 482 4400*
Fax: 01279 756 595
www.coopersofstortford.co.uk



DISPOSAL

- Coopers of Stortford use recyclable or recycled packaging where possible.
- Please dispose of all packaging, paper, cartons, packaging in accordance with your local recycling regulations.
- Plastics, polybags – Contains the following recyclable plastic.



Code & Symbol	 PP
Type of Plastic	Polypropylene
Commonly used for	Microwaveable food containers, yoghurt pots, butter tubs, disposable plates and cups
Notes	Commonly recycled and collected from household recycling bins (packaging tape itself not recyclable but does not interfere with cardboard)

- At the end of the product's lifespan please check with your local council authorised household waste recycling centre for disposal.