

# HALF PARASOL

H270GR/H270 MO v001: 26/10/20

Please read and retain these instructions for future reference

**GAINSBOROUGH**  
Garden & Wildlife

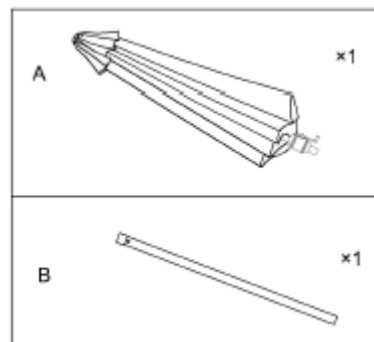
H270 GR – HALF PARASOL CLASSIC GREEN  
H270 MO – HALF PARASOL MOCCHA

## SPECIFICATION:

- 50+ UV protective parasol
- Built in air vent at the top to help prevent parasol blown over by the wind

## PARTS:

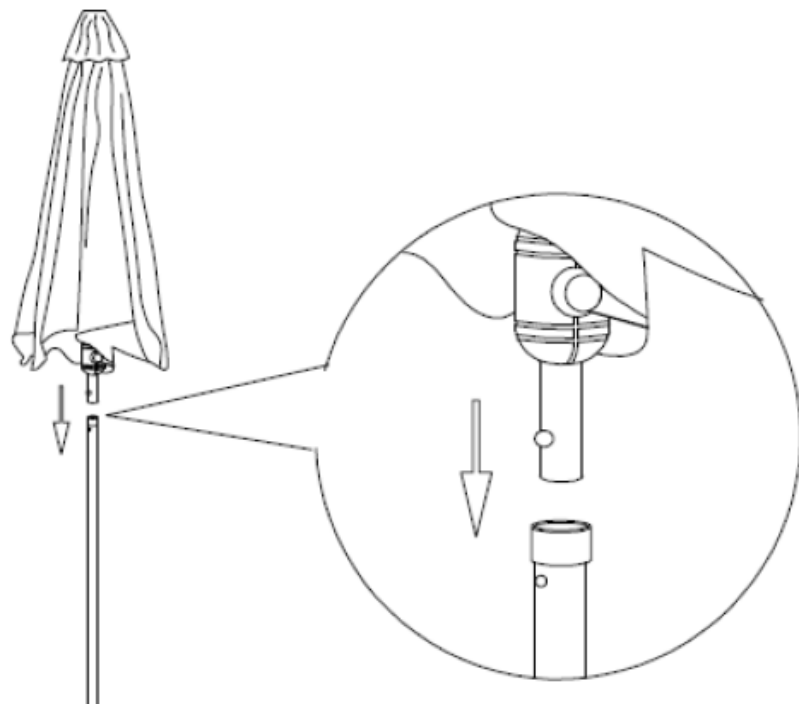
- A. Parasol/Umbrella
- B. Pole



No base included

## ASSEMBLY:

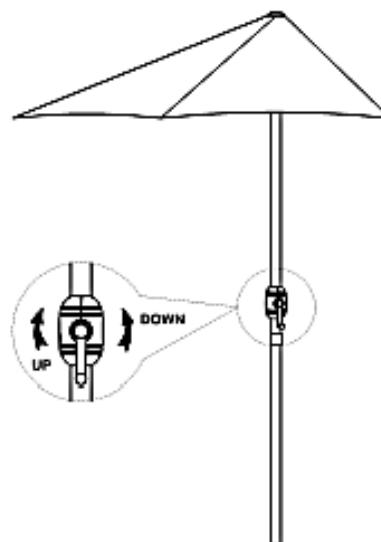
- Rotate support pole fully into umbrella pole as shown.



\*Calls cost 7 pence per minute plus your telephone company's network access charge

The Enterprise Department  
Head Office: 11 Bridge Street  
Bishop's Stortford, CM23 2JU  
Tel: 0844 482 4400\*  
Fax: 01279 756 595  
[www.coopersofstortford.co.uk](http://www.coopersofstortford.co.uk)

- Crank clockwise to open the umbrella.
- Press button to adjust angle of umbrella tilt (can be tilted by 30°)
- Safely secure your parasol into the base of your choice. Please be sure to follow the manufacturers' recommendations and instructions.





## CLEANING INSTRUCTIONS

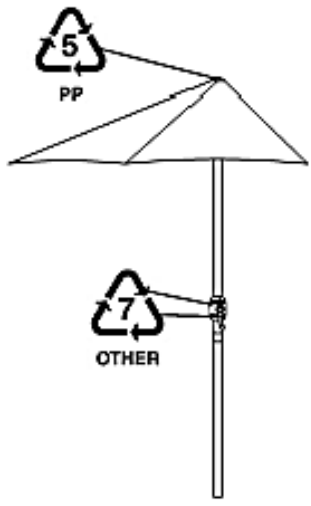
- Wipe clean with damp cloth.
- Suitable for outdoor use.
- Move parasol indoors or cover your parasol during inclement weather conditions.
- **Always close and store the parasol during high winds.**

## DISPOSAL

- Coopers of Stortford use recyclable or recycled packaging where possible.
- Please dispose of all packaging, paper, cartons, packaging in accordance with your local recycling regulations.
- Plastics, polybags – The parts indicated are made from the following recyclable plastic.



Code & Symbol	Type of Plastic	Commonly used for	Notes
	Polypropylene	Microwaveable food containers, yoghurt pots, butter tubs, disposable plates and cups	Commonly recycled and collected from household recycling bins (packaging tape itself not recyclable but does not interfere with cardboard)
		CD's, crisp packets, various flexible packaging, baby bottles, sunglass lenses	Not often or widely recycled



- At the end of the product's lifespan please check with your local council authorised household waste recycling centre for disposal.