

# Straight Plant Stand

H278 v002: 28/04/21

Please read and retain these instructions for future reference

**GAINSBOROUGH**  
Garden & Wildlife



## Dimensions

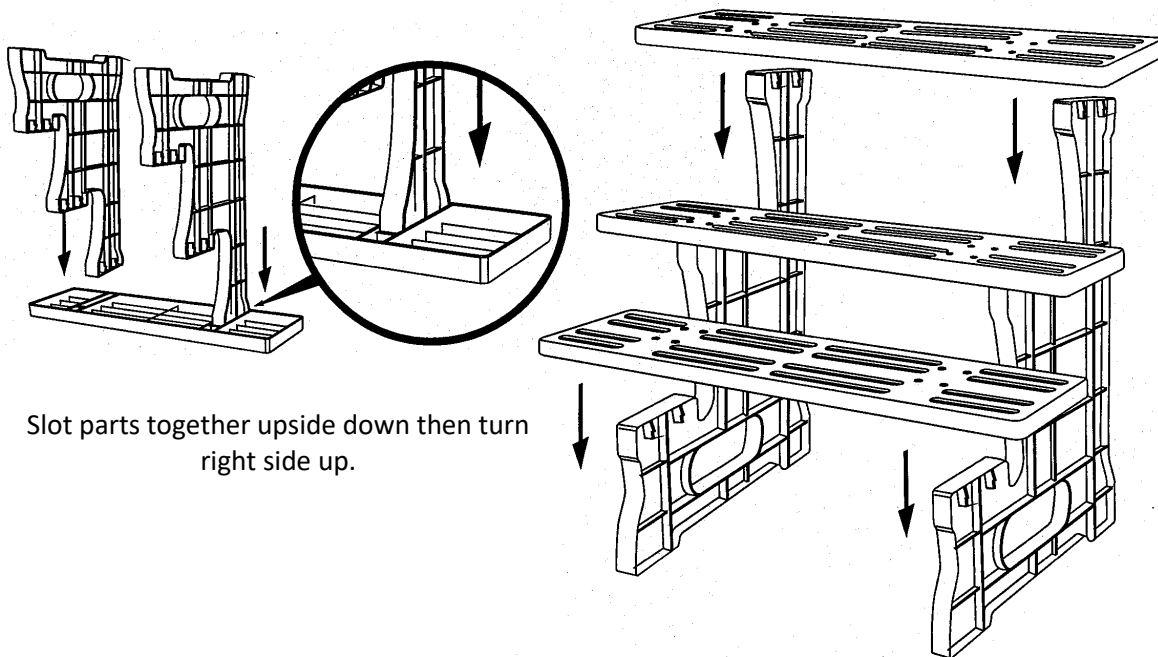
58 (L) x 40.5 (W) x 48 (H) cm

- CREATE A SHOW DISPLAY OF PLANTS
- GREAT FOR ADDING MORE PLANTS TO YOUR GARDEN ESPECIALLY IF YOU ONLY HAVE A SMALL OUTSIDE SPACE
- ALSO GREAT FOR CREATING A HERB 'GARDEN'

Max. weight load: 10kgs approx. per tier  
Pots and plants not included

## ASSEMBLY INSTRUCTIONS / INSTRUCTIONS FOR USE:

Unpack the components carefully. Please check all parts have been removed from the packaging.



Slot parts together upside down then turn right side up.

- Always place on flat surfaces
- Wipe clean regularly


\*Calls cost 7 pence per minute plus your telephone company's network access charge

The Enterprise Department  
Head Office: 11 Bridge Street  
Bishop's Stortford, CM23 2JU  
Tel: 0844 482 4400\*  
Fax: 01279 756 595  
[www.coopersofstortford.co.uk](http://www.coopersofstortford.co.uk)

### DISPOSAL

- Coopers of Stortford use recyclable or recycled packaging where possible.
- Please dispose of all packaging, paper, cartons, packaging in accordance with your local recycling regulations.
- Plastics, polybags – Contains the following recyclable plastic.



Code & Symbol	 PP
Type of Plastic	Polypropylene
Commonly used for	Microwaveable food containers, yoghurt pots, butter tubs, disposable plates and cups
Notes	Commonly recycled and collected from household recycling bins (packaging tape itself not recyclable but does not interfere with cardboard)

- At the end of the product’s lifespan please check with your local council authorised household waste recycling centre for disposal.