

Wishing Well Planter

H281 v001: 28/09/20

Please read and retain these instructions for future reference

GAINSBOROUGH
Garden & Wildlife



Dimensions

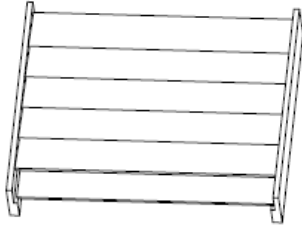

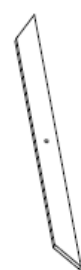


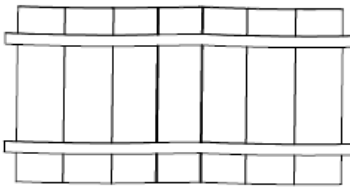
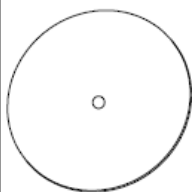
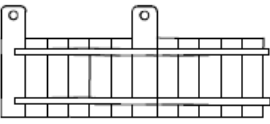



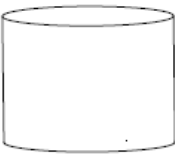










48 x48 x100cm

- WISHING WELL PLANTER CREATES A STUNNING FEATURE IN ANY GARDEN
- WITH DECORATIVE ADDITIONAL BUCKET PLANTER
- FILL WITH YOUR FAVOURITE PLANTS (not included) FOR A REAL SHOW STOPPER APPEAL
- EASY ASSEMBLY
- PLASTIC LINER

ASSEMBLY INSTRUCTIONS / INSTRUCTIONS FOR USE:

Unpack the components carefully. Please check all parts have been removed from the packaging.

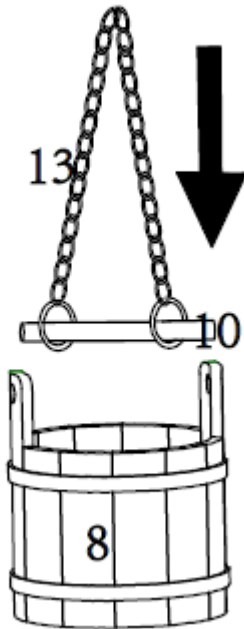
Parts

1. 2pcs Roof section		2. 1pc Roof cap		3. 2pcs Roof base		4. 2pcs Pole		5. 2pcs Upper pole		6. 2pcs Main planter body	
											
7. 1pc Main planter base		8. 1pc Hanging bucket body		9. 1pc Hanging bucket base		10. 1pc Hanging bucket handle		11. 1pc Main body handle		12. 1pc Liner	
											
13. 1pc Chain	14. 1pc Split pin	15. 1pc Chain clasp	3*12mm 18pcs	3*15mm 12pcs	3*25mm 2pcs	3*30mm 4pcs	3*40mm 4pcs	bolt & nut 6*25mm 4sets	bolt & nut 6*40mm 2sets		
											

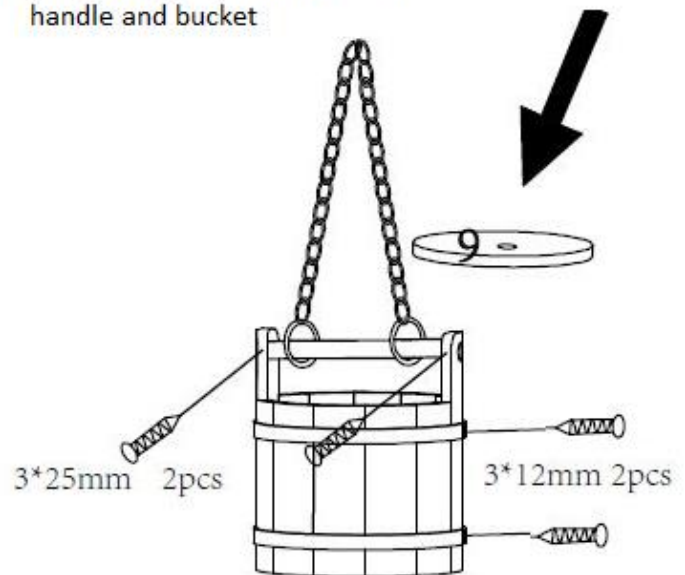
Assembly

Ensure to use the right bolts.

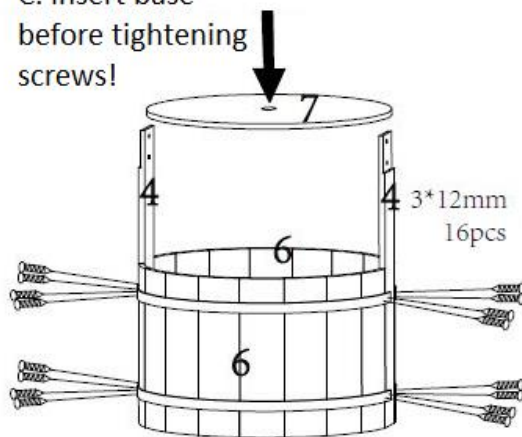
A. Assemble the hanging bucket



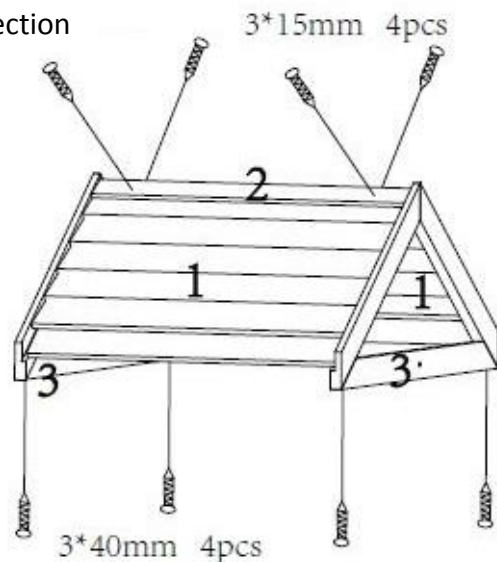
B. Insert bucket base and then fix handle and bucket



C. Insert base before tightening screws!



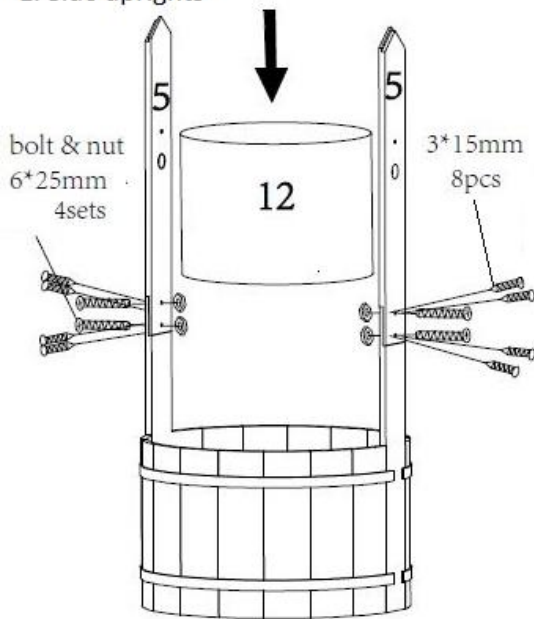
D. Roof section



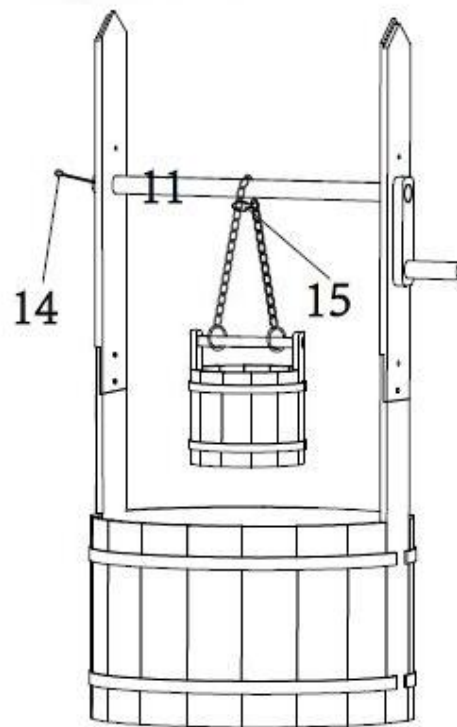
Please read and retain these instructions for future reference

v001: 28/09/20

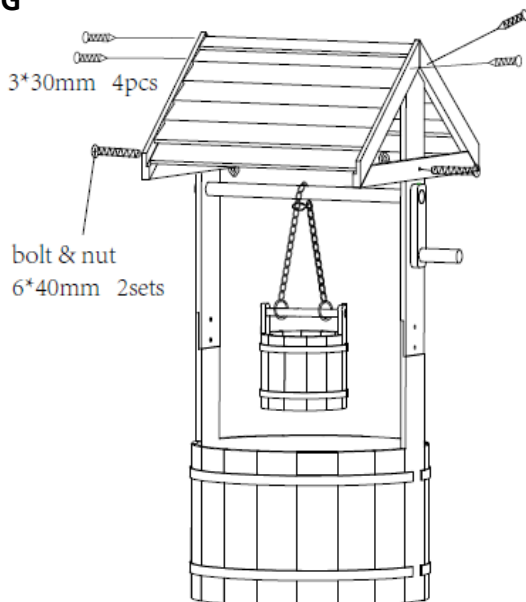
E. Side uprights



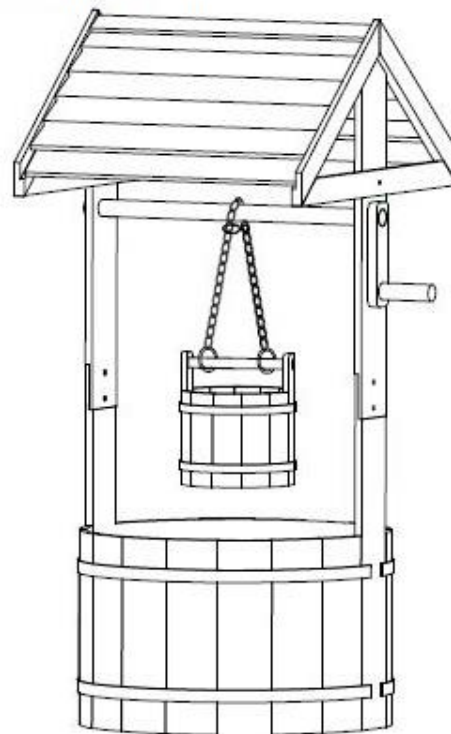
F. Use clip 14 to secure bucket.



G




H. Finished item



DISPOSAL

- Coopers of Stortford use recyclable or recycled packaging where possible.
- Please dispose of all packaging, paper, cartons, packaging in accordance with your local recycling regulations.
- Plastics, polybags – Contains the following recyclable plastic.



Code & Symbol	 LDPE
Type of Plastic	Low Density Polyethylene
Commonly used for	Shopping bags, bread bags, squeeze bottles, stretch/pallet wrap, bubble wrap, multi-pack can holders
Notes	Usually recyclable supermarket deposit points. Check other plastic films as any non-polythene film e.g. cling film, crisp packets film lids

- At the end of the product's lifespan please check with your local council authorised household waste recycling centre for disposal.