

# Folding Travel Fan

H297

# Instructions for Use

Please read and retain these instructions for future reference

v002: 18/12/20



## Product Specification

Product Name: Foldable fan

Model: H297

Main material: Aluminum alloy& ABS plastic

Battery model: Lithium battery 18650

Battery model: 3.7V 7200mAh

Size: 200\*200\*95mm mm ( folded )

200\*200\*97mm ( extension )

Working time: 5~24 hours

Charging time: About 4.5 hours

Noise decibel: 30~40 db

Discharge power: 1.3~4.8W

Discharge current: 278~970MA

Charging voltage: DC 5V

Working wind speed: 2.3~4.0m/s

\*Calls cost 7 pence per minute plus your telephone company's network access charge

Head Office, 11 Bridge Street,  
Bishop's Stortford CM23 2JU  
Tel: 0844 482 4400\*  
Fax: 01279 756 595  
[www.coopersofstortford.co.uk](http://www.coopersofstortford.co.uk)

**Coopers**  
OF STORTFORD

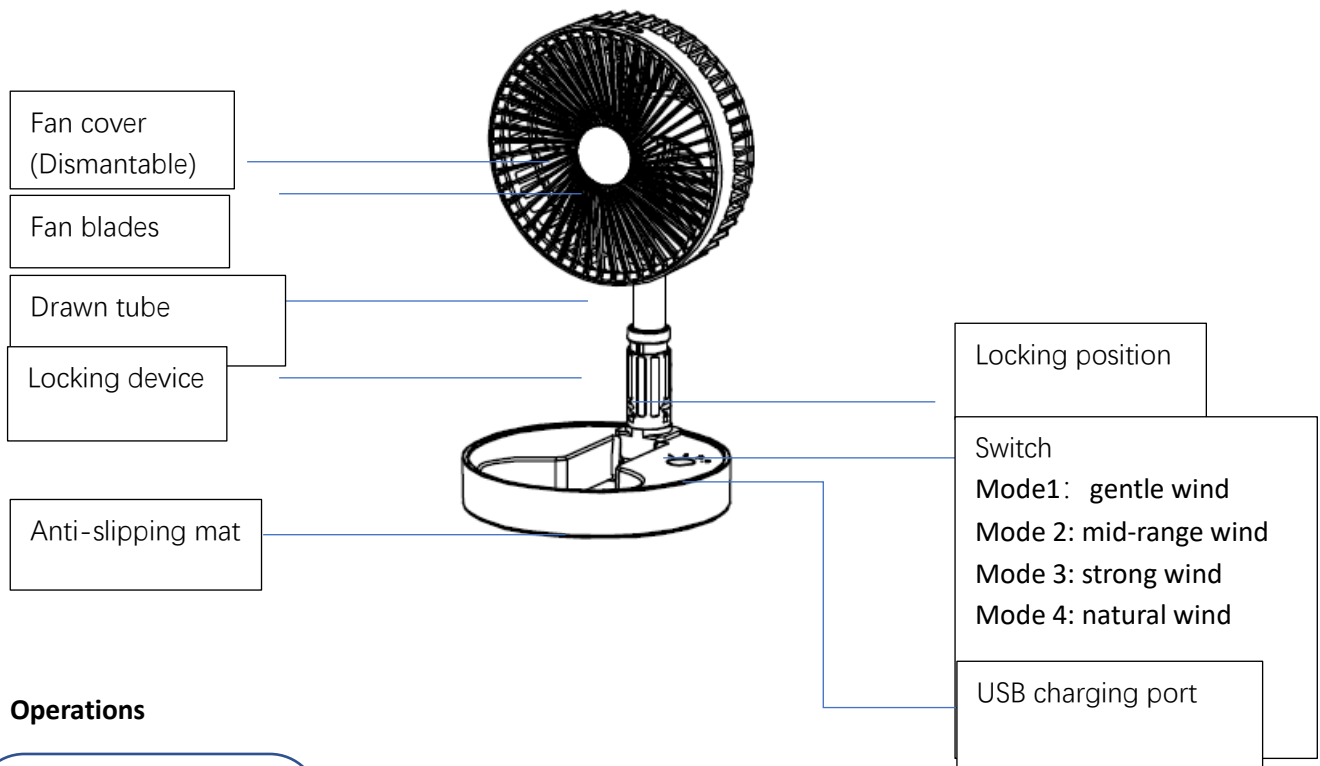
# Folding Travel Fan

H297

# Instructions for Use

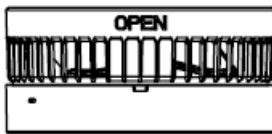
Please read and retain these instructions for future reference

v002: 18/12/20



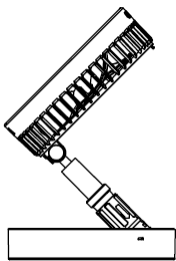
## Operations

1.



While fan is folded, unfold upwards from the "open" position.

2.



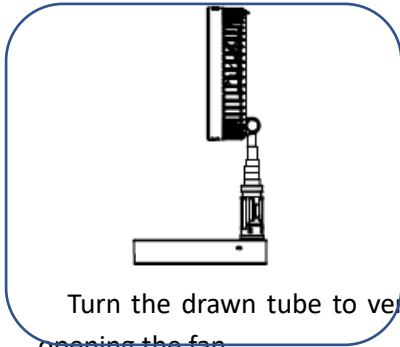
Follow the arrow direction to open the fan.

\*Calls cost 7 pence per minute plus your telephone company's network access charge

Head Office, 11 Bridge Street,  
Bishop's Stortford CM23 2JU  
Tel: 0844 482 4400\*  
Fax: 01279 756 595  
[www.coopersofstortford.co.uk](http://www.coopersofstortford.co.uk)

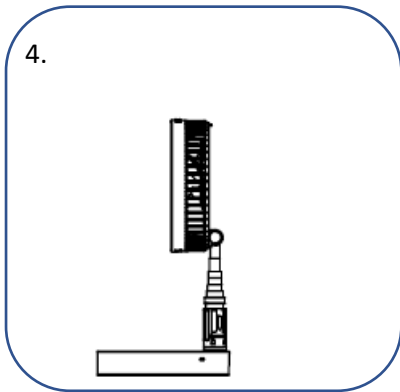
**Coopers**  
OF STORTFORD

3.



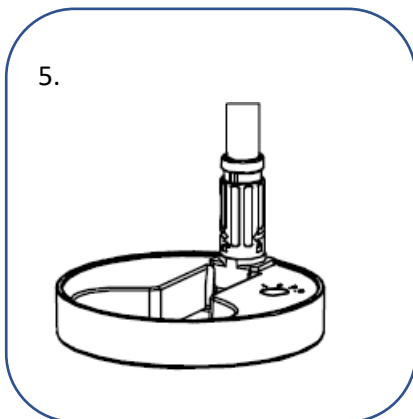
Turn the drawn tube to vertical position and then lock the handle device to fix the angle after opening the fan.

4.



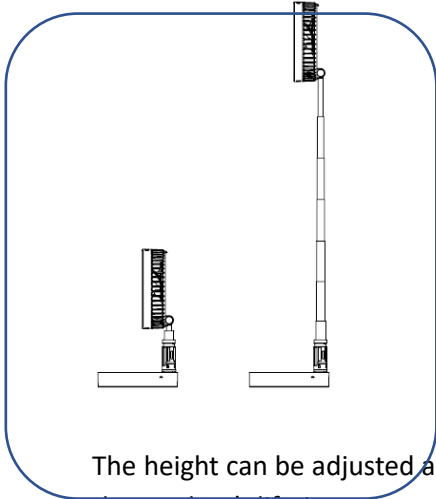
The fan head can be moved up and down.

5.



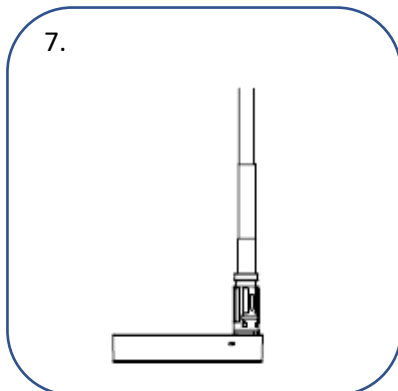
Press the switch button to display the battery level, double press the button to turn on the fan and switch the mode 1, 2, 3, 4 to select the wind speed.

6.



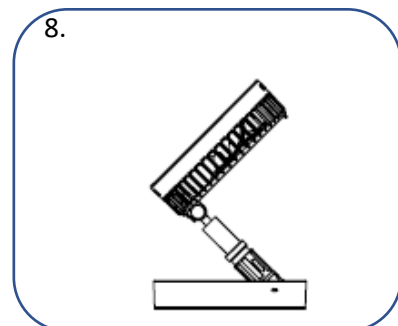
The height can be adjusted as needed. Please gently pull or draw back the drawn tube to ensure the product's lifetime.

7.



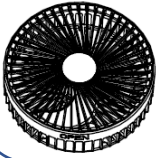
Step 1 for folding the fan: please turn the handle anti-clockwise to release it.

8.



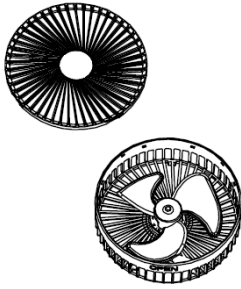
Step 2 for folding the fan: while the handle device is released, follow the arrow direction to fold the fan.

9.



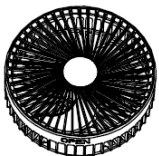
To clean the fan blades, unplug the fan and take off front cover by holding the fan cover and turn it anti-clockwise until it opens

10.



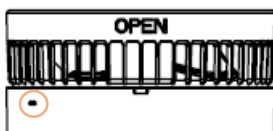
Use a dry cloth to wipe the cover and blades. Do not immerse in water.

11.



Align the buckle position to assemble the cover back to the main body.

12.



---

The circled area is the Micro USB charging port. Please use DC 5V USB charger.

**⚠ Safety Caution**

**SAFETY INSTRUCTIONS:**

WHEN USING ELECTRICAL APPLIANCES, BASIC SAFETY PRECAUTIONS SHOULD ALWAYS BE FOLLOWED:

- READ ALL INSTRUCTIONS BEFORE USE.
- TO PROTECT AGAINST ELECTRIC SHOCK, DO NOT IMMERSE APPLIANCE, IN WATER OR ANY OTHER LIQUID.
- UNPLUG FROM OUTLET WHEN NOT IN USE AND BEFORE CLEANING.
- DO NOT OPERATE ANY APPLIANCE WITH A DAMAGED CORD OR PLUG OR AFTER THE APPLIANCE MALFUNCTIONS, OR HAS BEEN DAMAGED IN ANY MANNER. WE RECOMMEND THAT THE POWER CORD IS NOT KINKED OR STORED IN A TWISTED MANNER, AND THAT YOU REGULARLY CHECK ITS CONDITION.
- THE USE OF ANY ACCESSORY ATTACHMENTS NOT RECOMMENDED BY COOPERS OF STORTFORD MAY CAUSE INJURIES AND INVALIDATE ANY WARRANTY YOU MAY HAVE.
- DO NOT LET CORD HANG OVER THE EDGE OF A TABLE OR COUNTER, OR TOUCH HOT SURFACES.
- DO NOT PLACE ON OR NEAR HEAT SOURCES.
- USE ON A LEVEL, STABLE SURFACE.
- **DO NOT** COVER THE ITEM IN ANY WAY WHEN IN USE AS THIS MAY CAUSE OVERHEATING.
- DO NOT USE THIS APPLIANCE FOR ANY OTHER USE THAN THE INTENDED USE IT IS DESIGNED FOR.
- ENSURE THERE IS SUFFICIENT DISTANCE BETWEEN THIS APPLIANCE AND OTHER ITEMS ON THE WORK SURFACE OR WORK STATION, OR SUFFICIENT DISTANCE BETWEEN THE APPLIANCE AND THE CONFINES OF THE AREA IN WHICH IT IS SITUATED. WE RECOMMEND A MINIMUM CLEARANCE AROUND ALL FACES OF AT LEAST 10CM.
- BEFORE USE, CHECK THOROUGHLY FOR ANY DEFECTS AND DO NOT USE IF DEFECTS ARE FOUND. TAKE CARE NOT TO DROP THE APPLIANCE AS HEAVY IMPACTS MAY CAUSE INTERNAL DAMAGE.
- IT IS RECOMMENDED NOT TO LET THE PRODUCT CONTINUOUS WORKING FOR MORE THAN 4 HOURS TO AVOID HEATING.
- DO NOT PLACE THE PRODUCT IN A HUMID ENVIRONMENT.



**BATTERIES**

- Keep batteries away from children and pets.
- Do not mix used and new batteries.
- Remove the batteries if left for long periods.
- Never dispose of batteries in a fire.
- Battery disposal, spent or expired batteries must be properly disposed of and recycled in compliance with local regulations. For detailed information, contact your local authority.

- Follow the battery manufacturer's safety, usage, and disposal instructions.

## DISPOSAL

- Dispose of all packaging, paper, cartons, plastic and plastic bags in accordance with your local recycling regulations.
- This is made from the following plastic.

Code & Symbol		
Type of Plastic	Polypropylene	ABS
Commonly used for	Microwaveable food containers, yoghurt pots, butter tubs, disposable plates and cups	CD's, crisp packets, various flexible packaging, baby bottles, sunglass lenses
Notes	Commonly recycled and collected from household recycling bins (packaging tape itself not recyclable but does not interfere with cardboard)	Not often or widely recycled

- At the end of the product's lifespan please dispose of it at an authorised household waste recycling centre.

