

2.7m Tilt Parasol

H439 v002: 05/12/22

Please read and retain these instructions for future reference

GAINSBOROUGH
Garden & Wildlife

H439 MO – Mocha

H439 GR – Green

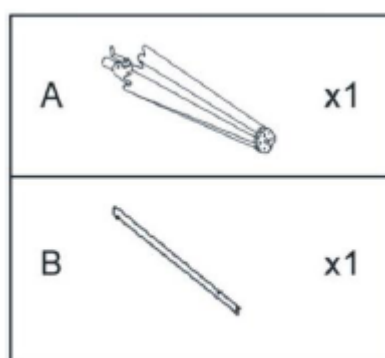
H439 GRY - Grey

SPECIFICATION:

- 50+ UV protective parasol
- Built in air vent at the top to help prevent the parasol being blown over by the wind

PARTS:

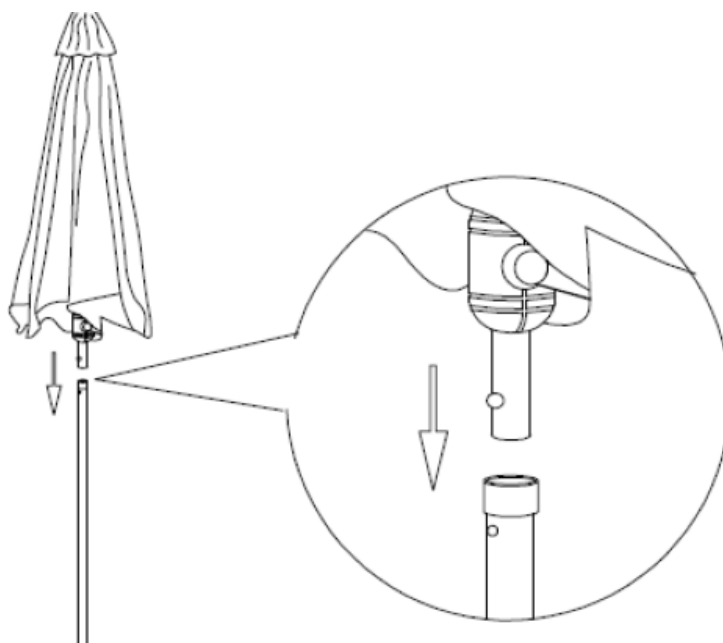
- A. Parasol/Umbrella
- B. Pole



No base included

ASSEMBLY:

- Rotate support pole fully into umbrella pole as shown.



**The Enterprise
Department**

UK Head Office, 11 Bridge Street, Bishop's Stortford, CM23 2JU

Tel: 0844 4824400*, Fax: 01279 756595

www.coopersofstortford.co.uk

EU address: D.S.B. LD, 160 Bd. de Fourmies, 59100 Roubaix, France

Tel: (+44) 1279 701269

*UK Calls cost around 7 pence per minute plus your telephone company's network access.
Please check with your telephone supplier.

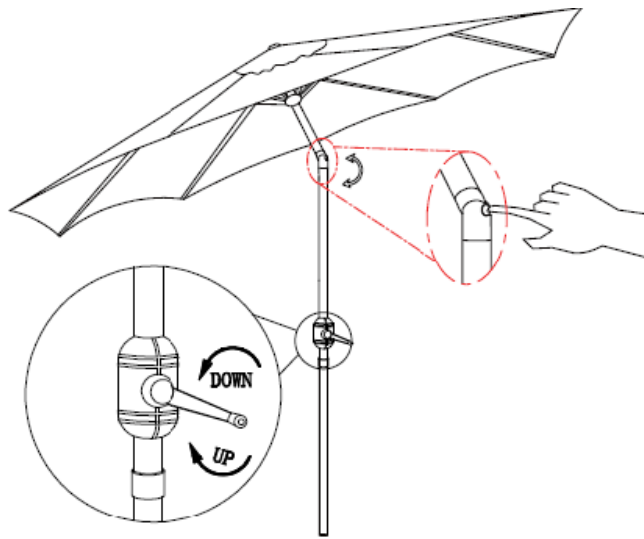
2.7m Tilt Parasol H439

Instructions for Use

Please read and retain these instructions for future reference

v002:05/12/22

- Crank clockwise to open the umbrella.
- Press button to adjust angle of umbrella tilt (can be tilted by 30°)
- Safely secure your parasol into the base of your choice. Please be sure to follow the manufacturers' recommendations and instructions.






CLEANING INSTRUCTIONS:

- Wipe clean with damp cloth.
- Suitable for outdoor use.
- Move parasol indoors or cover your parasol during inclement weather conditions.

DISPOSAL

- Coopers of Stortford use recyclable or recycled packaging where possible.
- Please dispose of all packaging, paper, cartons, packaging in accordance with your local recycling regulations.
- Plastics, polybags – this is made from the following recyclable plastic.



Code & Symbol	Type of Plastic	Commonly used for	Notes	
 PP	Polypropylene	Microwaveable food containers, yoghurt pots, butter tubs, disposable plates and cups	Commonly recycled and collected from household recycling bins (packaging tape itself not recyclable but does not interfere with cardboard)	
 OTHER		CD's, crisp packets, various flexible packaging, baby bottles, sunglass lenses	Not often or widely recycled	

**The Enterprise
Department**

UK Head Office, 11 Bridge Street, Bishop's Stortford, CM23 2JU

Tel: 0844 4824400*, Fax: 01279 756595

www.coopersofstortford.co.uk

EU address: D.S.B. LD, 160 Bd. de Fourmies, 59100 Roubaix, France

Tel: (+44) 1279 701269

*UK Calls cost around 7 pence per minute plus your telephone company's network access. Please check with your telephone supplier.

2.7m Tilt Parasol H439

Instructions for Use

Please read and retain these instructions for future reference

v002:05/12/22

- At the end of the product's lifespan please check with your local council authorised household waste recycling centre for disposal.

**The Enterprise
Department**

UK Head Office, 11 Bridge Street, Bishop's Stortford, CM23 2JU

Tel: 0844 4824400*, Fax: 01279 756595

www.coopersofstortford.co.uk

EU address: D.S.B. LD, 160 Bd. de Fourmies, 59100 Roubaix, France

Tel: (+44) 1279 701269

*UK Calls cost around 7 pence per minute plus your telephone company's network access.
Please check with your telephone supplier.