

# 2 in 1 Aerator & Scarifier

H466 OR

v002: 14/09/21

Please read and retain these instructions for future reference



## 1300W ORIGINAL INSTRUCTION

### 2 IN 1 ELECTRIC SCARIFIER AND AERATOR

#### TECHNICAL DATA

Nominal Voltage	230V 50Hz
Power	1300W
Electric Engine No Load Speed	3600/min
Working width	32cm
Working depth	-12,-9,-6,-3,+10mm
Collection bag	40L
Insulation Class	Class II
Weight	11KG

#### IMPORTANT!

##### Safety Instructions

##### All Operators Must Read These Instructions Before Use

Always follow these safety guidelines. Failure to do so may result in serious bodily injury or death.

##### General Safety WARNINGS!


When using this electric aerator & scarifier, basic safety precautions should always be followed to reduce the risk of fire, electric shock and personal injury.

Before using the aerator & scarifier, take the time to familiarize yourself with the controls, especially how to stop the machine in an emergency. The only individuals who should use the aerator & scarifier are those who have a thorough understanding of the instructions and who know how to operate the machine. Children should never be allowed access to the aerator & scarifier.

Retain this manual for future reference and reread it at the start of each aerating session.

## GENERAL SAFETY

- 1. Keep work area clean and well-lit** – Cluttered, dark areas invite accidents.
- 2. Replacement parts** – When servicing this unit, use only identical replacement parts.  
Replace or repair damaged cords immediately.
- 3. Keep children, bystanders, and pets away** – All spectators, including pets, should be kept a safe distance away from the work area.
- 4. Dress properly** – Do not wear loose clothing or jewellery as such articles can get caught in moving parts. Wear a protective covering to contain long hair. Wearing rubber gloves and substantial non-slip footwear is recommended when working outdoors.
- 5. Avoid accidental starting** – Do not carry the aerator & scarifier with your finger on the switch. Make sure the switch is off before plugging in the unit.
- 6. Do not force the tool** – It will perform better with less likelihood of personal or mechanical injury if it is used at the rate for which it is designed.
- 7. Wear personal protective equipment** – When using this tool, wear safety glasses with side shields or goggles to provide necessary eye protection. Wear ear defenders to prevent hearing damage. Use a face or dust mask if the work environment is dusty.
- 8. Disconnect the tool** – Disconnect the aerator & scarifier from the power supply when it is not in use, before servicing it, when changing accessories, and when performing any other maintenance task.
- 9. Store idle tool indoors** – When not in use, the aerator & scarifier should be stored indoors in a dry and high or locked-up place out of the reach of children.
- 10. Maintain the aerator & scarifier with care** – Keep cutting edges sharp and clean for optimal and safest performance.  
Inspect the aerator & scarifier cord periodically and if damage is found have it repaired by an authorized service facility. Extension cords should also be inspected periodically and immediately replaced if damaged. Keep handles dry, clean and free from oil and grease.
- 11. Use the right tool** – Do not use the tool for any job except that for which it is intended.
- 12. Avoid dangerous environments** – Do not use the aerator & scarifier in rain, damp, or wet locations.
- 13. Stay alert** – Watch what you are doing. Use common sense. Do not operate the aerator & scarifier when you are tired or under the influence of drugs, alcohol, or other medication.
- 14. Do not overreach** – Keep proper footing and balance at all times.


 **WARNING!** Some dust and debris created by the use of the tool could contain chemicals known to cause cancer and birth defects or other reproductive harm. Some examples of these chemicals are:

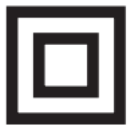
- chemicals in fertilizers
- compounds in insecticides, herbicides, and pesticides
- arsenic and chromium from chemically treated lumber

Your risk from exposure to these chemicals varies, and depends on how often you do this type of work. To reduce your exposure, work in a well-ventilated area and with approved safety equipment, such as dust masks that are specially designed to filter out microscopic particles.

## Double-Insulated Appliances

In a double-insulated appliance, two systems of insulation are provided instead of grounding. No grounding means that it is already provided on a double-insulated appliance. Servicing a double-insulated appliance requires extreme care and knowledge of the system, and should be performed only by qualified service personnel at an authorized dealer. Replacement parts for a double-insulated appliance must be identical to the parts they replace. A double-insulated appliance is marked with the words "Double Insulation" or "Double Insulated."

The symbol  (square within a square) may also be marked on the appliance.



**DOUBLE-INSULATED: GROUNDING NOT REQUIRED. WHEN SERVICING, USE ONLY IDENTICAL REPLACEMENT PARTS.**

This electric aerator & scarifier is double-insulated, eliminating the need for a separate grounding system. Use only identical replacement parts. Read the instructions before servicing double-insulated appliances. Use this electric aerator & scarifier only as described in this manual.

## Electrical Safety

1. Ground fault circuit interrupter (GFCI) protection should be provided on the circuit(s) or outlet(s) to be used for this electric aerator & scarifier. Receptacles are available having built-in GFCI protection and may be used for this measure of safety.

2. To prevent electric shock, use only with an extension cord suitable for outdoor use, such as SW-A, SOW-A, STW-A, STOW-A, SJW-A, SJOW-A, SJTW-A, or SJTOW-A.

Before use, check that your extension cord is in good condition. When using an extension cord, make sure to use one heavy enough to carry the current your product will draw. For lengths more than 50 ft (15 m), a No.14 AWG (or greater) extension cord should be used. An undersized cord will cause a drop in line voltage resulting in loss of power and overheating.



**WARNING**

**Electric shock may cause SEVERE INJURY or DEATH. Heed these warnings:**

- Do not allow any part of the electric aerator & scarifier to make contact with water while it is

in operation. If the appliance becomes wet while turned off, wipe dry before starting.

- Use only a UL-, CSA-, or ETL-rated extension cord for outdoor, all-weather use.
- Do not use an extension cord over 100 ft (30 m).
- Do not touch the appliance or its plug with wet hands or while standing in water. Wearing rubber boots offers some protection.

**For the extension cable, please refer to the following table:**

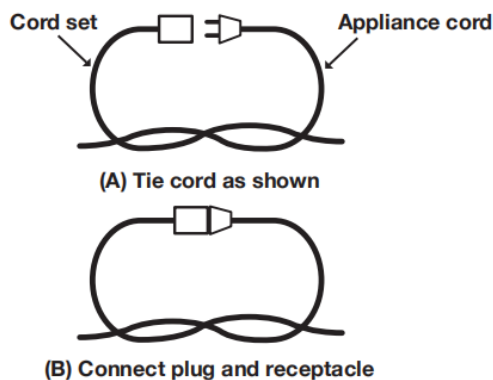
Extension Cord Length	Up to 50 ft (15 m)	+50 ft - 100 ft (+15 m - 30 m)
Wire Gauge (A.W.G.):	14	12

**3.** To reduce the risk of electric shock, this appliance has a polarized plug (i.e. one blade is wider than the other). Use this appliance only with a polarized UL-, CSA-, or ETL-listed extension cord recommended for outdoor, all-weather use.

The appliance plug will fit into a polarized extension cord only one way. If the appliance plug does not fit fully into the extension cord, reverse the plug. If the plug still does not fit, obtain a correct polarized extension cord. A polarized extension cord will require the use of a polarized wall outlet. The extension cord plug will fit into the polarized wall outlet only one way. If the plug does not fit fully into the wall outlet, reverse the plug. If the plug still does not fit, contact a qualified electrician to install the proper wall outlet. Do not modify the appliance plug, extension cord receptacle, or extension cord plug in any way.

**4.** To prevent the appliance cord from disconnecting from the extension cord during operation, use the onboard extension cord restraint hook and/or make a knot with the two cords as shown in Table 1.

**Table 1. Method of Securing Extension Cord**




## **IMPORTANT!**

### **Safety Instructions for Walk-Behind Aerator & scarifiers**

#### **General Operation**

- Read, understand and follow all instructions on the machine and in the manual(s) before starting.
- Thoroughly inspect the area where the equipment is to be used and remove all foreign objects.

 **WARNING!** Foreign objects in the work area can be picked up by the aerator & scarifier and launched into your eyes, which can result in severe personal injury. In addition to surveying the area and removing foreign objects before beginning work, always wear safety goggles or safety glasses with side shields and, when necessary, a full face shield.

#### **WARNINGS:**

- USE THE ELECTRIC AERATOR & SCARIFIER ONLY IN DAYLIGHT OR GOOD ARTIFICIAL LIGHT.
- DO NOT OPERATE THE EQUIPMENT WITHOUT WEARING ADEQUATE OUTER GARMENTS. WEAR PROTECTIVE FOOTWEAR THAT WILL IMPROVE FOOTING ON SLIPPERY SURFACES.
- USE EXTENSION CORDS AND RECEPTACLES AS SPECIFIED BY THE MANUFACTURER FOR ALL UNITS WITH ELECTRIC DRIVE MOTORS OR ELECTRIC STARTING MOTORS (SEE EXTENSION CORD CHART ON PAGE 2).
- NEVER ATTEMPT TO MAKE ANY ADJUSTMENTS WHILE THE MOTOR IS RUNNING.
- NEVER OPERATE THE AERATOR & SCARIFIER IN WET GRASS. ALWAYS BE SURE OF YOUR FOOTING; WALK, NEVER RUN, WITH THE MACHINE.
- DO NOT PUT HANDS OR FEET NEAR OR UNDER ROTATING PARTS.
- EXERCISE EXTREME CAUTION WHEN OPERATING ON OR CROSSING GRAVEL DRIVES, WALKS OR ROADS. STAY ALERT FOR HIDDEN HAZARDS OR TRAFFIC.
- EXERCISE CAUTION TO AVOID SLIPPING OR FALLING.
- STOP THE MOTOR AND DISCONNECT THE POWER SUPPLY WHEN LEAVING THE OPERATING POSITION, BEFORE UNCLOGGING THE TINES AND WHEN REPAIRING, ADJUSTING, INSPECTING OR PERFORMING ANY OTHER MAINTENANCE ON THE MACHINE.
- TAKE ALL NECESSARY PRECAUTIONS WHEN LEAVING THE MACHINE UNATTENDED. STOP THE MOTOR AND REMOVE THE POWER CORD.
- BEFORE CLEANING, REPAIRING OR INSPECTING THE UNIT, SHUT OFF THE MOTOR, DISCONNECT THE POWER SUPPLY AND WAIT UNTIL ALL MOVING PARTS HAVE COME TO A COMPLETE STOP.
- NEVER OPERATE THE MACHINE WITHOUT PROPER GUARDS, PLATES OR OTHER SAFETY

PROTECTIVE DEVICES IN PLACE AND IN PROPER WORKING ORDER.

- KEEP CHILDREN AND PETS AWAY.
- DO NOT OVERLOAD THE MACHINE CAPACITY BY ATTEMPTING TO AERATE TOO DEEP AT TOO FAST A RATE.
- NEVER OPERATE THE MACHINE AT HIGH TRANSPORT SPEEDS ON HARD OR SLIPPERY SURFACES.
- NEVER ALLOW BYSTANDERS NEAR THE UNIT WHEN OPERATING.
- USE ONLY ATTACHMENTS AND ACCESSORIES APPROVED BY THE MANUFACTURER OF THE MACHINE.
- NEVER OPERATE THE MACHINE WITHOUT GOOD VISIBILITY OR LIGHT.
- BE CAREFUL WHEN CULTIVATING IN HARD GROUND. THE TINES MAY CATCH IN THE GROUND AND PROPEL THE MACHINE FORWARD. IF THIS OCCURS, LET GO OF THE HANDLEBARS AND THE STARTING LEVER AND DO NOT RESTRAIN THE MACHINE.
- USE EXTREME CAUTION WHEN REVERSING OR PULLING THE MACHINE TOWARDS YOU.
- STOP THE TINES IF THE MACHINE HAS TO BE TILTED FOR TRANSPORTATION. DO NOT OPERATE THE TINES WHEN CROSSING SURFACES OTHER THAN GRASS, AND WHEN TRANSPORTING THE PRODUCT TO AND FROM THE WORKING AREA.
- DO NOT TILT THE MACHINE WHEN SWITCHING ON THE MOTOR, EXCEPT IF THE PRODUCT HAS TO BE TILTED FOR STARTING. IN THIS CASE, DO NOT TILT IT MORE THAN ABSOLUTELY NECESSARY AND LIFT ONLY THE PART WHICH IS AWAY FROM THE OPERATOR.
- DO NOT START THE MOTOR WHEN STANDING IN FRONT OF THE DISCHARGE OPENING.
- SWITCH ON THE MOTOR CAREFULLY ACCORDING TO THE INSTRUCTIONS AND KEEP YOUR FEET CLEAR OF THE ROTATING TINES.
- NEVER PICK UP OR CARRY THE MACHINE WHILE THE MOTOR IS RUNNING.
- STOP THE MOTOR AND DISCONNECT THE MACHINE FROM THE POWER SUPPLY:
  - BEFORE CLEARING BLOCKAGES OR UNCLOGGING THE DISCHARGE OPENING;
  - BEFORE CHECKING, CLEANING OR WORKING ON THE MACHINE;
  - AFTER STRIKING A FOREIGN OBJECT. INSPECT THE MACHINE FOR DAMAGE AND MAKE REPAIRS BEFORE RESTARTING AND OPERATING THE MACHINE;
  - IF THE MACHINE STARTS TO VIBRATE ABNORMALLY (CHECK IMMEDIATELY).
  - WHENEVER YOU LEAVE THE MACHINE.
- NEVER USE THE AERATOR & SCARIFIER WITHOUT THE THATCH COLLECTION BAG SECURELY FITTED.

**WARNING!** Beware of sharp tines. Tines continue to rotate after the motor is switched off.

## Slope Operation

Slopes are major factors related to slip and fall accidents, which can result in severe injury. Operation on all slopes requires extra caution. If you feel uneasy on a slope, do not aerate it.

- aerate across the face of slopes; never aerate slopes following an up and down traverse. Exercise extreme caution when changing direction on a slope.
- Watch for holes, ruts, bumps, rocks or other hidden objects. These may cause an unexpected slip or fall.
- Do not aerate on wet grass or excessively steep slopes. Poor footing could cause a slip and fall accident.
- Do not aerate near drop offs, ditches or embankments. You could lose your footing or balance.

## Children Safety

Tragic accidents can occur if the operator is not alert to the presence of children. Children are often attracted to the machine and the aerating activity. Never assume that children will remain where you last saw them.

- Keep children out of the aerating area and under the watchful care of a responsible adult other than the operator.
- Stay alert and turn the aerator off if a child enters the area.
- Never let children operate the machine.
- Use extra care when approaching blind corners, shrubs, trees or other objects that may block your view of a child.

## Vibration + Noise Reduction

To reduce the impact of noise and vibration emission, limit the time of operation, use low-vibration and low-noise operating modes as well as wear personal protective equipment. Take the following points into account to minimize the vibration and noise exposure risks:

- Only use the product as intended by its design and these instructions.
- Ensure that the product is in good condition and well maintained.
- Use correct application tools for the product and ensure they are in good condition.
- Keep tight grip on the handles/grip surface.
- Maintain this product in accordance with these instructions and keep it well lubricated (where appropriate).
- Plan your work schedule to spread any high vibration tool use across a number of days.

## Residual Risks

Even if you are operating this product in accordance with all the safety requirements, potential risks of injury and damage remain. The following dangers can arise in connection with the structure and design of this product:

- Health defects resulting from vibration emission if the product is being used over long













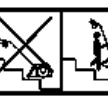

periods of time or not adequately managed and properly maintained.

- Injuries and damage to property due to broken application tools or the sudden impact of hidden objects during use.
- Danger of injury and property damage caused by flying objects.

**⚠ WARNING!** This product produces an electromagnetic field during operation! This field may under some circumstances interfere with active or passive medical implants! To reduce the risk of serious or fatal injury, we recommend persons with medical implants to consult their doctor and the medical implant manufacturer before operating this product!

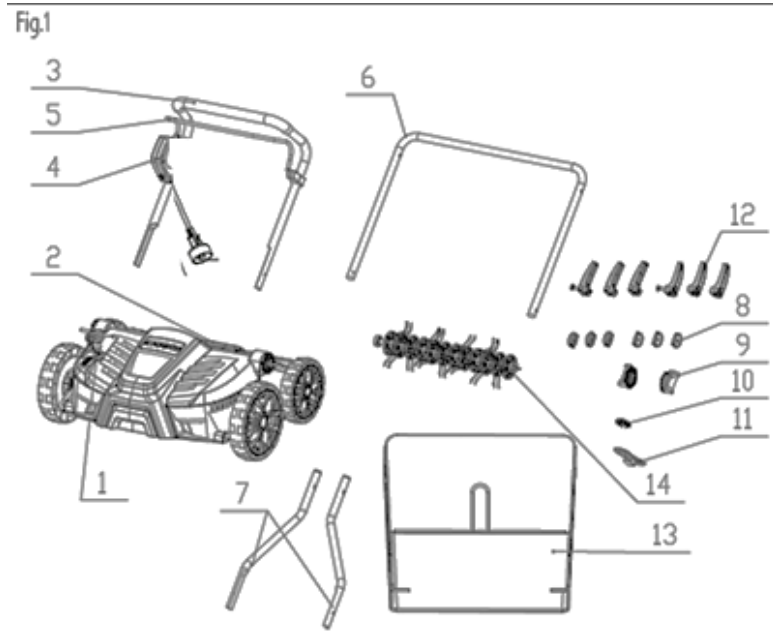
## Safety Symbols

The following table depicts and describes safety symbols that may appear on this product. Read, understand and follow all instructions on the machine before attempting to assemble and operate.

Symbols	Descriptions	Symbols	Descriptions
	<b>READ THE OPERATOR'S MANUAL(S)</b> – Read, understand, and follow all instructions in the user manual(s) before attempting to assemble and operate.		<b>SAFETY ALERT</b> – Indicates a precaution, a warning, or a danger.
	<b>WARNING!</b> Do not expose the unit to rain or wet conditions.		<b>WEAR EYE AND HEARING PROTECTION</b> – For protection against injury, wear ear defenders and safety goggles.
	Wear protective gloves and non-slip footwear when using the machine and handling debris.		<b>DANGER!</b> Rotating blades – Keep hands and feet away from moving parts.
	Keep bystanders a safe distance away from the work area.		Thrown objects picked up by the rotating tines can cause severe injury.
	Inspect the work area prior to use and remove all objects that could be thrown by the appliance. If a hidden object is discovered while working, stop the engine and remove the object.		Use extreme <b>CAUTION</b> when reversing or pulling the machine towards you.
	<b>SWITCH OFF!</b> Remove plug from outlet before cleaning or conducting maintenance checks.		<b>SWITCH OFF!</b> Remove plug from outlet immediately if the cord is damaged or cut.
	Do not push down stairs.		Double Insulation.

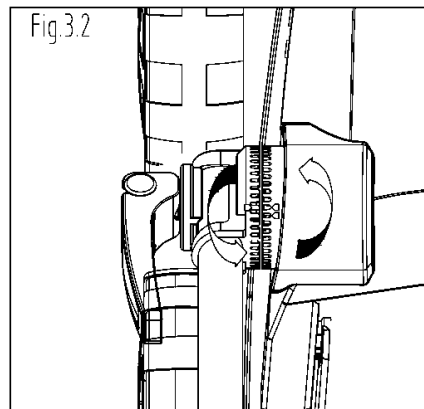
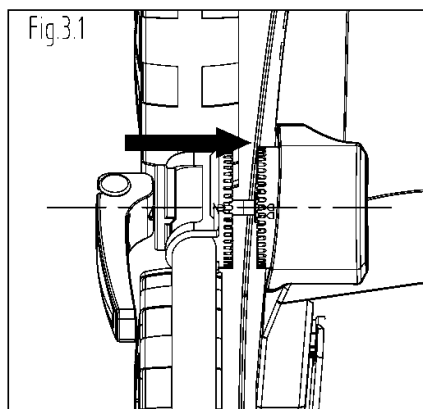
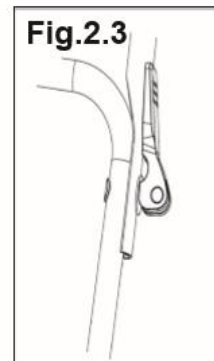
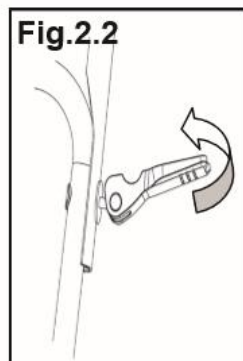
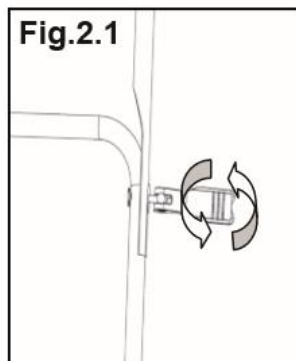


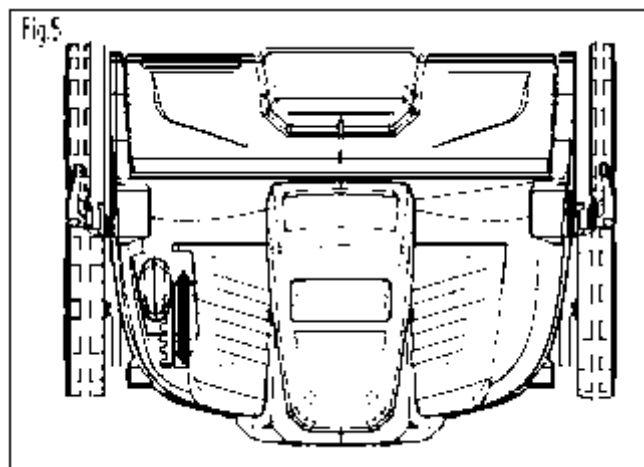
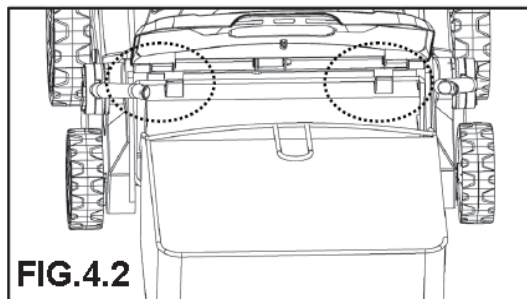
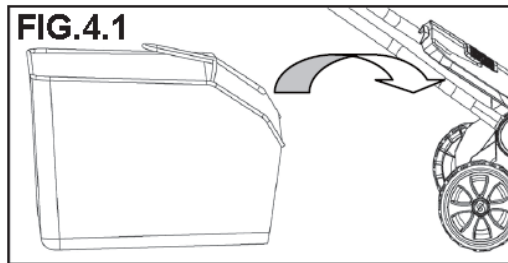
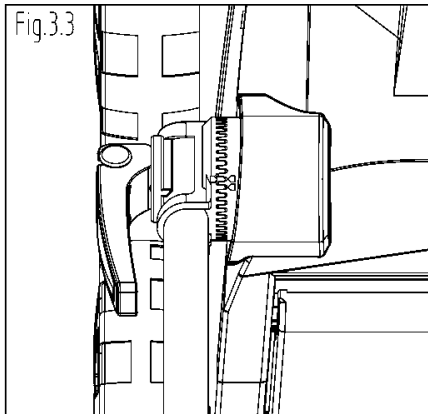
## Fig Sheet



### DESCRIPTION OF PRODUCT PARTS (FIG 1)

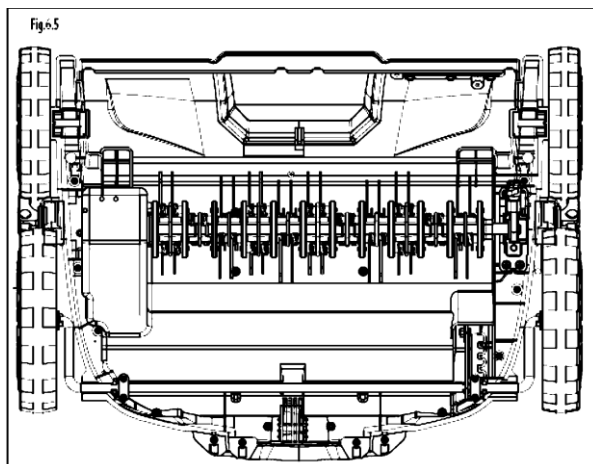
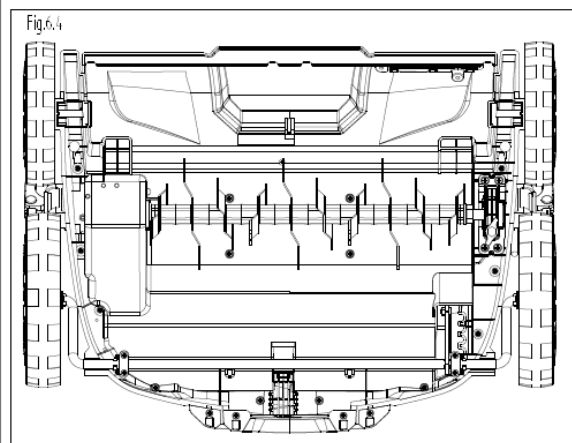
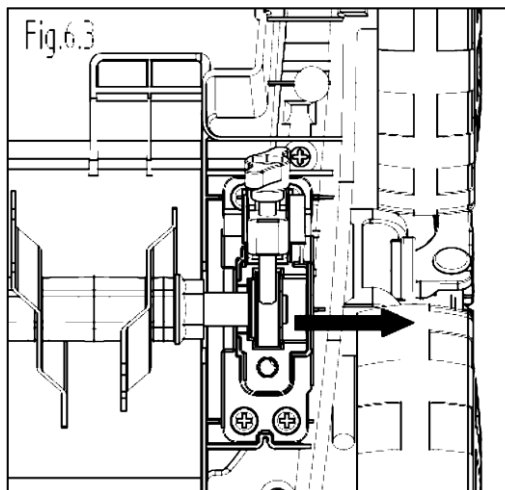
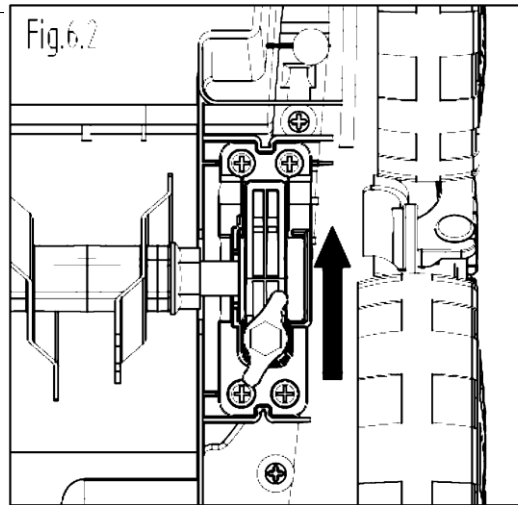
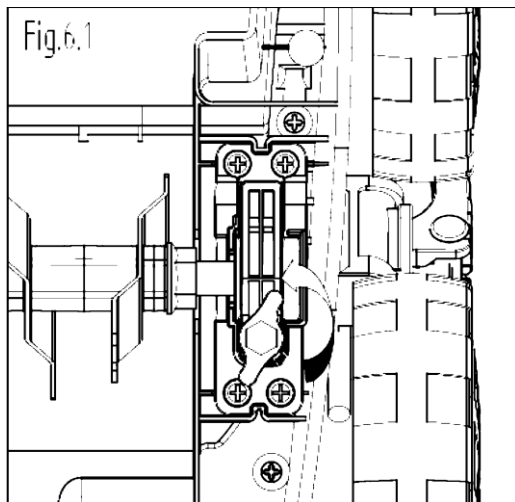
1. Height adjust handle
2. Rear flap
3. Upper handle
4. Switch box
5. Switch bar
6. Lower handle
7. Middle handle
8. Handle fix knob
9. Angle adjust block
10. Cable clamp
11. Cable holder
12. Quick clamps
13. Grass bag
14. Blade system of lawn aerator





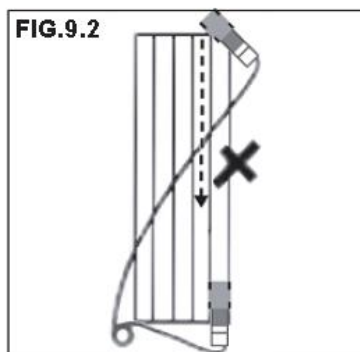
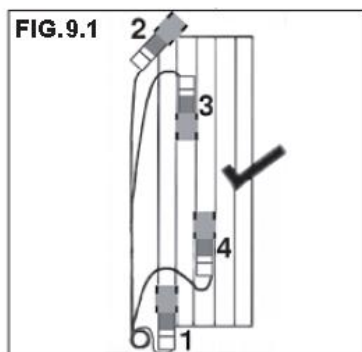
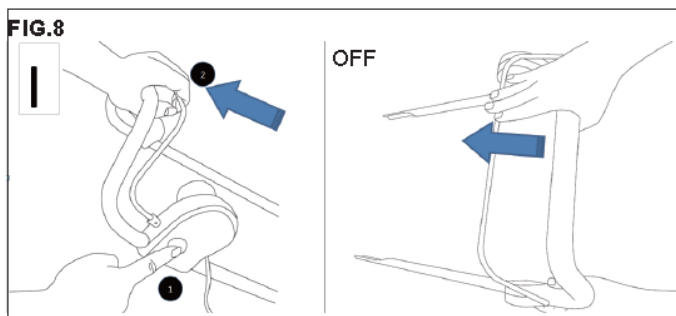
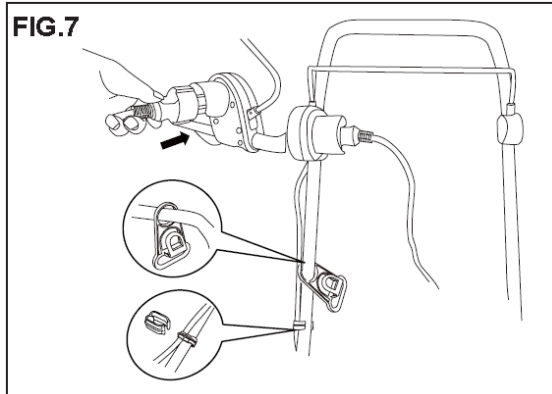
Please read and retain these instructions for future reference

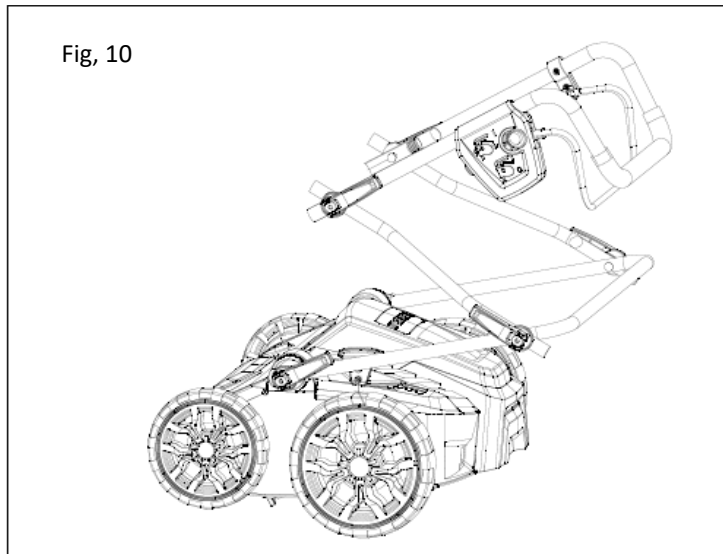
v001: 25/09/20



Please read and retain these instructions for future reference

v001: 25/09/20





## General Description

230v~ 50Hz 1300W Electric scarifier and aerator .  
working width 32cm , working depth -12--10mm.

## How to use your scarifier ( using rigid type tine )

- 1) By scarifying you remove the hardened surface, grass felt and flat-growing weeds and the crusted over grassroots are loosened up. The lawn will start to breathe again and assimilate the nourishing substances, oxygen and water. This also prevents the establishing of bacteria in the lawn felt during the wintertime.
- 2) Cut the grass to a height of about 40mm before scarifying. The lawn must be dry when using the machine. The best time for an scarifying is any time during the vegetative season, from end April through to September. Scarify it at least once a year.  
We recommend using a fertilizer straight after airing if you want a green carpet.

## How to use your aerator (spring rigid type tine )

- 1) By raking you remove the dead matter, moss and weed which disfigures a lawn. The build up of dead grass provides a mat of absorbent fibers which prevents water getting through to the ground.
- 2) Do not force your rake through grass that is longer than 75mm. The lawn must be dry when using the machine. It's recommend that your aerator is used at the beginning and the end of each grass cutting season to give your lawn a thorough raking. Your aerator should also be used after each mowing to remove any grass cutting that may be left by your mower.

## General Operation

We recommend the directional method of operation to obtain the maximum cutting performance from your unit and to reduce the risk of the trailing the extension lead from entering the cutting path.

- 1) Place the bulk of the supply cable on the lawn close to the starting point.
- 2) Hold the handle assembly with both hands.

Warning: Do not attempt to operate your machine with one hand – you must guide it with both hands. Do not operate your machine on sanded, concrete or wooden ground.

## ASSEMBLY

### Handle Assembly

#### Quick clamp assembly (FIG. 2.1- FIG. 2.3)

- You can rotate the quick clamp to adjust the tightness of the lock.(Fig 2.1)
- And then lock the trigger to make the handle in position. (Fig 2.2-2.3)
- Fit the cable holder (11) onto the upper handle bar from the switch side (Fig.7).

#### Lower handle assembly on the deck:

- Make sure the metal handle in the slot of angle adjust block(9) fig 3.2
- Insert the quick clamp (12) from outside in the hole of machine body, rotate the quick clamp to adjust the tightness of the lock and then lock the trigger to make the handle in position (Fig. 3.3-3.4).

#### Grass Bag Assembly (FIG. 4.1-4.2)

- Fix the metal frame inside the damping rims of cloth-bag (Fig.4.1)
- Mount the grass collector bag on the hooks on main body as shown in the picture (Fig.4.2)

#### Height Adjustment (FIG. 5)

**Push the height adjust handle (1) forwards or backwards to adjust the height.**

The working position can be lowered with increased knife and sprung tine wear.

Wear can be identified from an increasingly poor result. The readjusting depth amounts to approx. 3 mm per setting. Use the millimeter scale readings for fine setting.

The implement must be switched off to set the working position.

#### Blade System Change (FIG. 6.1-6.5)

- Turn over the machine to motor side in dry place and loosen wing nut by turning counter-clockwise to open the lock (Fig. 6. 1-6.2).

- Pull the flange of the blade system up from the coupling in the machine body (Fig. 6.3).
- Pull the original blade system upward to detach it from the machine body (Fig. 6.4).
- Insert the aerator blade system inside is the revised process of scarifier blade system detached(fig.6.5)

## OPERATION

 **Always keep to instructions on safety and current rules and regulations.**

**Apply only a gentle pressure to the machine.**

## Hint and suggestions

### POWER CONNECTION(FIG. 7)

fix the cord by the cord clip and cord retainer

Note: The packaging material is made of recycle materials. Dispose of packaging materials in accordance with regulations.

 **CAUTION!**

Do not switch on the unit until it has been completely assembled. Before switching on the unit, always check the connection cable for signs of damage; only on undamaged connection cable may be used.

Note: Damaged connection cables are highly dangerous!

The mains voltage (220V) indicated on the rating plate must correspond with the mains power supply.

- 1) Insert the mains plug of the unit connection cable into the combined switch/plug.  
(As fig 5 show)
- 2) Secure with the cable grip. The loop of the mains cable must be adequately long so that the cable grip can slide from one side to the other.

### EXTENSION CORDS

- Use only a BS1363 rated extension cord for outdoor, all-weather use.
- Do not use an extension cord over 100 ft (30 m).

### Switching ON/OFF (FIG. 8)

**Switch on:** press the button on the combined switch/plug. Hold down the on Button ① and pull the switch bar ② towards the handle and hold in position

**The safety button ① does lock into position. (FIG. 8)**

**Switch off:** release the switch bar.

**Note:** While mowing, lay the connection cable safely on footpaths and on areas which have already been mowed.

**⚠ WARNING!**



**When the motor has been switched off, the cutter continues running for several seconds therefore do not touch the underside of the mower until the cutter has come to a standstill!**

**Warning:** Do not attempt to operate your machine with one hand – you must guide it with both hands. Do not operate your machine on sanded, concrete or wooden ground.

- Tilt the handle downwards to slightly raise the front of your unit and to reduce the risk of lawn damage while starting, depress the safely lock-off button (①) on the switch box and while still depressed pull the switch bar (②) towards you.
- (FIG. 8) and lower your machine to its proper cutting position, and commence cutting. Proceed down the cutting area as shown in Fig. 9.1, working from position 1 towards position 2 and, on reaching position 2, turn to the right and proceed towards position 3. Continue to the end of the cutting area, turn to the left and proceed towards position 4. Continue in the same manner as shown in Fig. 9. 1, always working away from the cable. Do not adopt the method as shown in Fig. 9. 2, working towards the cable, as this is dangerous practice.

### Setting the Working Depth

The working depth is adjustable to 5 heights referring to below table. FIG 5

Mark on label	Working position	Depth		
-12mm	Highest	-12mm	V	X
-9mm	Forth	-9mm	V	X
-6mm	Third	-6mm	V	V
-3mm	Second	-3mm	V	V
+10mm	Lowest	+10mm	X	V

**Note:** The springs must be used only with position 0,1 and 2. If you are going too deep the efficiency will not be higher and you can even break the springs. The springs are made to catch the grass foam in surface. So it's not necessary to go deeper into the soil. The position 3 and 4 are used for blade. The misused cannot be covered by the guarantee.



## TROUBLESHOOTING

**⚠ WARNING!** Only perform the steps described within these instructions!

All further inspection, maintenance and repair work must be performed by a qualified technician.

Suspected malfunctions, disturbances or damages are often due to causes that the user can fix themselves. Follow the below troubleshooting guidelines when checking the unit. In most cases, the problem can be resolved quickly and the aerator can be restored to proper working order.

Problem	Possible Cause	Solution
Motor does not start	<ul style="list-style-type: none"> <li>a) Not connected to power supply</li> <li>b) Power cord or plug is defective</li> <li>c) Other electrical defect to the product</li> <li>d) Lock-off button not pressed</li> </ul>	<ul style="list-style-type: none"> <li>a) Connect to power supply</li> <li>b) Contact an authorized service agent</li> <li>c) Contact an authorized service agent</li> <li>d) Press lock-off button first, then the start/stop lever</li> </ul>
Product does not reach full power	<ul style="list-style-type: none"> <li>a) Extension cord not suitable for operation with this product</li> <li>b) Power source (e.g. generator) has too low voltage</li> <li>c) Air vents are blocked</li> </ul>	<ul style="list-style-type: none"> <li>a) Use a proper extension cord</li> <li>b) Connect to another power source</li> <li>c) Clean the air vents</li> </ul>

## DISPOSAL

- Coopers of Stortford use recyclable or recycled packaging where possible.
- Please dispose of all packaging, paper, cartons, packaging in accordance with your local recycling regulations.
- Plastics, polybags – Contains the following recyclable plastic.
- Plastics – This is made from the following plastic.



 3 PVC	 4 LDPE	 5 PP	 7 OTHER
Polyvinyl Chloride	Low Density Polyethylene	Polypropylene	Other



- Aluminium – the handle is made from the following Aluminium  
At the end of the product's lifespan please dispose of it at an authorised household WEEE Waste recycling centre for disposal.

## EU DECLARATION OF CONFORMITY

Coopers of Stortford hereby declare under our sole responsibility, that the product named below has been designed to comply with all relevant sections of the below referenced standards and directives: -

DESCRIPTION & ITEM NUMBER: 2 IN 1 AERATOR & SCARIFIER – H466 OR

CONFORMS TO THE FOLLOWING: -

- Machinery Directive 2006/42/EC
- Low Voltage Directive 2014/35/EU
- EMC Directive 2014/30/EU
- Noise Directive 2000/14/EC & 2005/88/EC
- Noise Level: 95dB
- RoHS Directive 2011/65/EU & 2015/863/EU

The test reports in accordance with 2006/42/EC are available from:  
Coopers of Stortford, 11 Bridge Street, Bishop's Stortford, Hertfordshire, CM23 2JU

