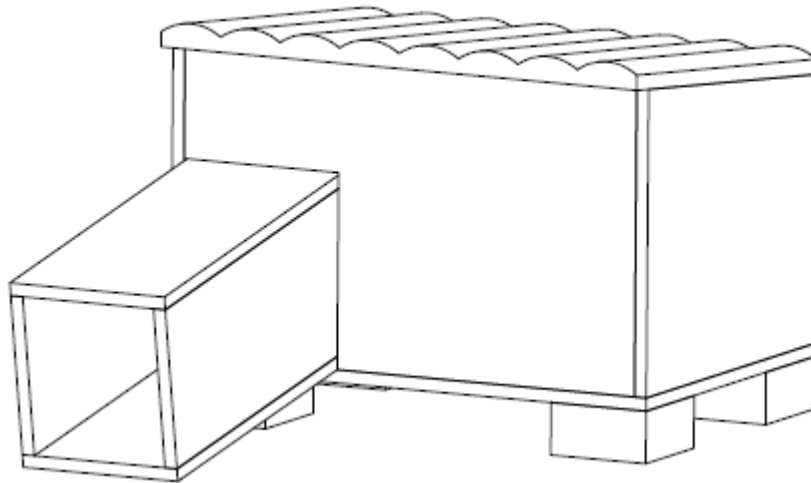


Hedgehog House

H593 v001: 08/02/21

Please read and retain these instructions for future reference

GAINSBOROUGH
Garden & Wildlife



Dimensions

H30 xW40 xD30cm

Composition

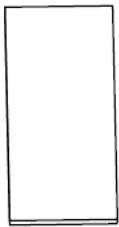
Wood

ASSEMBLY INSTRUCTIONS / INSTRUCTIONS FOR USE:

Unpack the components carefully. Please check all parts have been removed from the packaging.

Parts

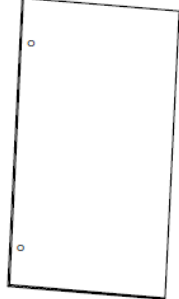
1. 2PCS



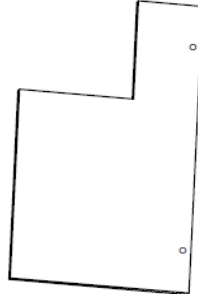
2. 2PCS



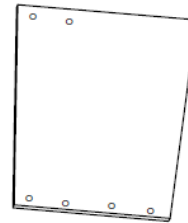
3. 1PC



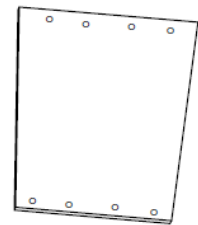
4. 1PC



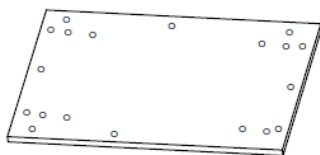
5. 1PC



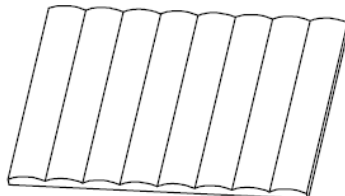
6. 1PC



7. 1PC



8. 1PC



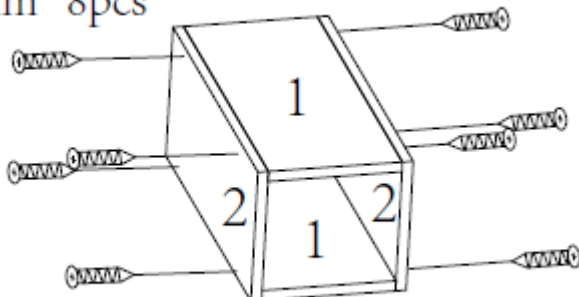
9. 4PCS

3*25mm 45pcs

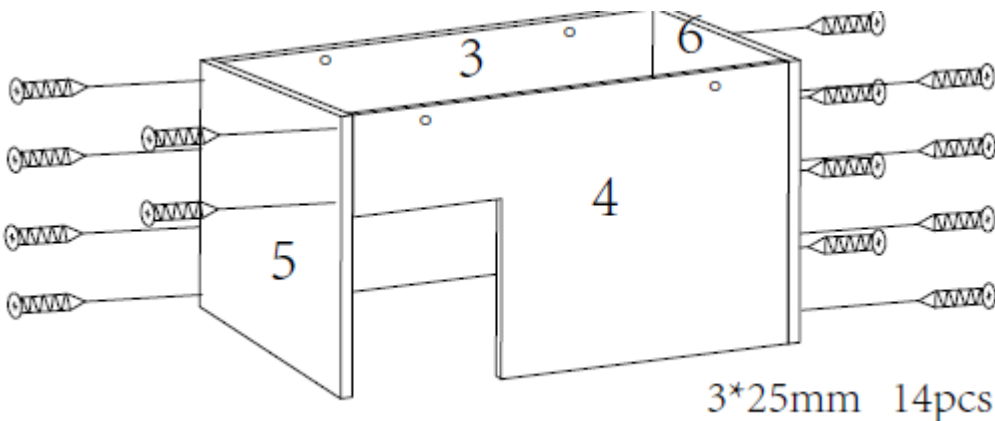


Assembly

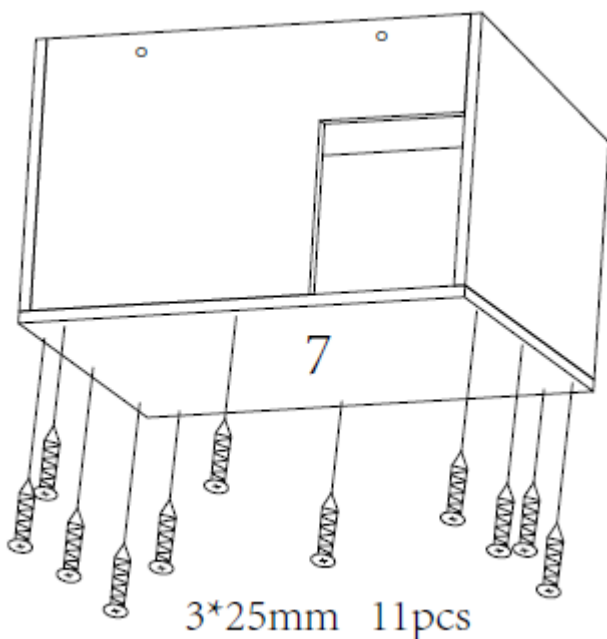
3*25mm 8pcs



Fix 4 pcs of entrance/porch with 8pcs of 3*25mm screws

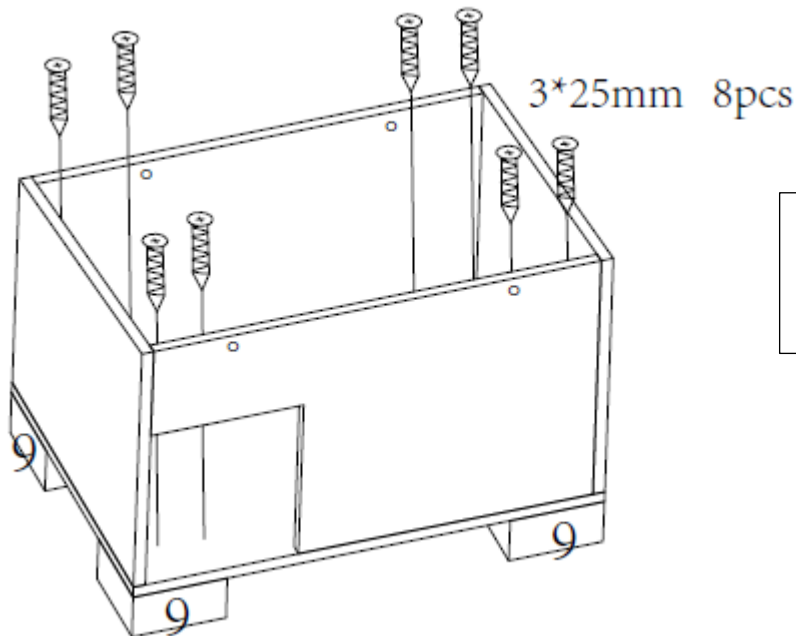


Fix 4 pcs of house, with 14pcs of 3*25mm screws

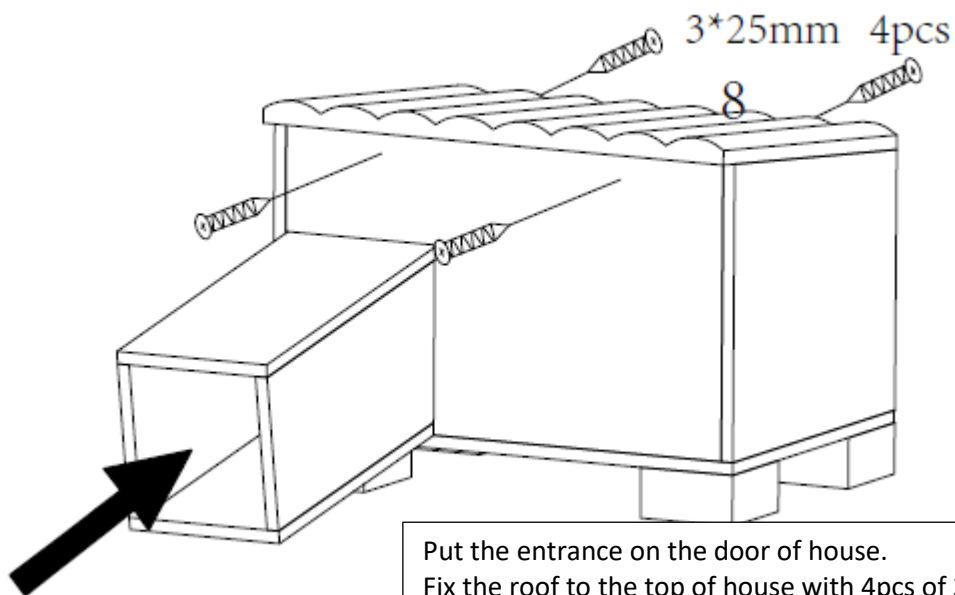


Fix 1pc of base to the assembly using 11pc of 3*25mm screws

3*25mm 11pcs



Fix legs to the base of the house with 8pcs of 3*25mm screws



Put the entrance on the door of house.
Fix the roof to the top of house with 4pcs of 3*25mm screws

Cover with lid/roof. The hedgehog house can be covered with plastic sheeting, soil and twigs. Hedgehogs may take straw or leaves inside and use for bedding.

Information: please note the wood is unpainted and untreated so as not to emit odours which are unpleasant to hedgehogs.

POSITIONING YOUR HEDGEHOG HOUSE

Place the house in a quiet part of the garden, preferably against a bank, wall or fence. Make sure that the entrance to the house does not face North or North East, thus avoiding the cold winter winds.

After winter use it may need to be cleaned/ washed out. To make sure there is nobody in residence, put a small, light obstruction in the entrance to see whether it is pushed away overnight, if it isn't this is an indication that the hedgehog may no longer be in residence (but take care just in case). You can clean out the house using an organic Pyrethrum powder, suitable for caged birds. **DO NOT CLEAN IF A HEDGEHOG IS IN RESIDENCE.**

DISPOSAL

- Coopers of Stortford use recyclable or recycled packaging where possible.
- Please dispose of all packaging, paper, cartons, packaging in accordance with your local recycling regulations.
- At the end of the product's lifespan please check with your local council authorised household waste recycling centre for disposal.

