

Halogen Heater

H615 v03: 12/04/23

Please read and retain these instructions for future reference

BERGSTRÖM



Dimensions

Heater: 27 W x 9cm D x from the base to the top of the heater
48 H cm

base 36 W x 26 D cm

- 3HEAT SETTING 400W/800W/1200W
- RADIANT ELECTRIC HEAT-WIDE ANGLE HEAT REFLECTORS
- COOL-TOUCH HOUSING
- TARGET HEAT TO A SPECIFIC AREA OR USE THE WIDE ANGLE
75 DEGREE OSCILLATION
- MAINS-POWERED
- SAFETY TIP-OVER SWICH,

220-240 V ~ 50-60 Hz 1200W



Caution
Hot surface

**CAUTION! THIS ELECTRICAL APPLIANCE'S EXTERNAL SURFACES
WILL GET HOT IN NORMAL USE.**

ALLOW TO COOL BEFORE TOUCHING THE EXTERNAL SURFACES.

GENERAL ADVICE

- PLEASE READ CAREFULLY THESE INSTRUCTIONS BEFORE USING THE APPLIANCE AND RETAIN FOR FURTHER REFERENCE.
- AFTER TAKING IT OUT OF THE PACKING, MAKE SURE THAT THE APPLIANCE HAS NO DAMAGES; IN CASE OF DOUBT PLEASE CALL A COMPETENT QUALIFIED ELECTRICIAN. THE PACKING PARTS (PLASTIC BOX, POLYSTYRENE, NAILS, ETC.) MUST BE KEPT OUT OF REACH OF CHILDREN AS THEY ARE DANGEROUS; ENSURE SAFE DISPOSAL.
- BEFORE PLUGGING IN THE APPLIANCE MAKE SURE THAT YOUR MAINS VOLTAGE CORRESPONDS TO THE ONE STATED ON THE APPLIANCE. IF THERE ARE DIFFERENCES BETWEEN YOUR PLUG AND YOUR SOCKET, LET THE PLUG BE SUBSTITUTED BY A COMPETENT QUALIFIED ELECTRICIAN WITH A CORRECT ONE; ALSO MAKE SURE THAT THE CABLE IS CONFORMING TO THE POWER CONSUMPTION OF THE APPLIANCE. DO NOT USE ADAPTORS OR EXTENSIONS; IF IT IS NECESSARY TO USE THEM, THEY MUST BE CONFORMING TO THE PRESENT SAFETY RULES AND THEIR CURRENT CAPACITY (AMPERES) IS NOT LESS THAN THE MAXIMUM ONE OF THE APPLIANCE.
- THIS APPLIANCE IS FOR JUST DOMESTIC PURPOSES, ACCORDING TO THE WAY INDICATED IN THESE INSTRUCTIONS.
- WHEN THE APPLIANCE IS IN USE IT BECOMES HOT: ONLY TOUCH THE PLASTIC HANDLE AND SWITCHES. AVOID TOUCHING THE RADIANT PART.
- DO NOT COVER THE APPLIANCE WHEN IT IS HOT, TO AVOID RISK OF FIRE.
- DO NO LET CHILDREN TO USE THE APPLIANCE, WITHOUT SUPERVISION.

**The Enterprise
Department**

UK Head Office, 11 Bridge Street, Bishop's Stortford, CM23 2JU

Tel: 0330 331 0300 Fax: 01279 756595

www.coopersofstortford.co.uk

EU address: D.S.B. LD, 160 Bd. de Fourmies, 59100 Roubaix, France

Tel: (+44) 1279 701269

- **DO NOT TOUCH THE APPLIANCE WITH WET FEET OR HANDS.**
- **INDOOR USE ONLY.**
- **NEVER MOVE THE APPLIANCE BY PULLING THE CORD; NEVER PULL IT TO UNPLUG.**
- **AFTER SWITCHING ON OR OFF THE APPLIANCE, IT IS POSSIBLE TO HEAR A LIGHT NOISE (CLICK) DUE TO THE HEATING OR THE COOLING OF THE APPLIANCE. THIS IS NORMAL AND IT DOES NOT INDICATE A FAULT.**

INSTALLING

- Before each use, verify the appliance and cable are undamaged. If damaged consult a competent qualified electrician.
- Put the appliance far enough from heating sources, inflammable materials (curtains, clothes, etc.), inflammable gas or explosive materials and foam materials that can get deformed because of the high temperatures. Verify that the frontal part of the appliance has a free space of about 1m in front of it, while the side has a free space of 0.5m in front of it. Do not use the appliance either near a bath, a washbasin, a shower to avoid electrical shock, or in a place where it can be pushed and get damaged.
- Stand the appliance on a horizontal, flat surface or table; do not stand on an inclined plane. Make sure the safety system is in contact with the floor, otherwise the appliance will not work.
- Make sure the cable is properly positioned and it is not in contact with hot surfaces of the appliance. Do not wind the cord around the appliance and do not bend it.
- Do not use the appliance with a timer or a programmer or with a system that can switch on the appliance automatically, to avoid risk of fire.
- **All repairs should be made by a competent qualified electrician.**

ASSEMBLING


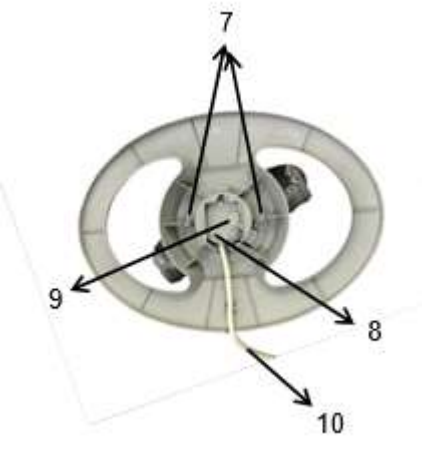
- 1) To operate, stand the appliance on a horizontal, flat and stable surface.
- 2) Unscrew the wing nut screws placed in the interior part of the appliance.
- 3) Feed the cable through the hole in the middle of the support and assemble the support itself by putting it in the interior of the body.
- 4) Put the wing nut screws through the support and tighten them.

WORKING

- 1) Plug the appliance and switch on. The tube in the middle will turn on. The other tubes can be turned on with their switches.
- 2) Switch on the key for oscillating (TURN) to let the stove oscillate to the left and to the right.
- 3) To switch off the appliance, put the switch to "OFF" position and unplug the stove.

CLEANING AND MAINTENANCE

- Before cleaning the appliance, switch off, unplug and wait for it to cool down completely.
- Protect the parabola from dust to keep safe its reflecting characteristic.
- To clean the body use a soft damp cloth; do not use abrasive products.
- The protection grill and the smocking net are very delicate; to clean them only use your vacuum cleaner, paying attention not to damage them.
- When the heater is not in use it needs to be covered and stored in a dry place. It is recommended to use the original packaging to preserve it from dust and humidity.
- The cable must be substituted with a special tool: please contact a competent qualified electrician.

	
<p>Frontal part:</p> <ol style="list-style-type: none">1. Switch "On/Off" central tube2. Upper tube switch3. Lower tube switch4. Oscillate function5. Protection grill6. Support	<p>Interior part:</p> <ol style="list-style-type: none">7. Wing nut screws8. Stabilising system9. Safety tip-over switch10. Cable and plug

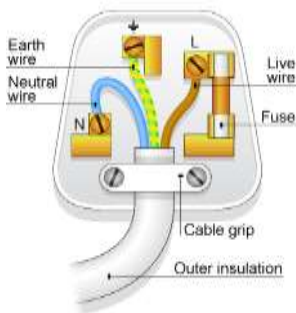
PLUG WIRING (UK & IRELAND)

This appliance is fitted with a BS 1363 13-amp plug. If you have to replace the fuse, only those that are ASTA or BSI approved to BS1362 and with a rated current of 7-amperes should be used. If there is a fuse cover fitted, this cover must be re-fitted after changing the fuse. If the fuse cover is lost or damaged the plug must not be used. Spare fuse holders and fuses are available from electrical outlets. If the socket outlets in your home or office are not suitable for this product's plug, the plug must be removed and disposed of safely. Attempts to

insert the plug into the wrong socket is likely to cause electric hazard. A replacement plug should be wired according to the following instructions:

The cable

A mains electricity cable contains two or three inner wires. Each has a core of copper and an outer layer of flexible plastic. This product is earthed; the wires in the cord set are colour coded in the following way:



BLUE	NEUTRAL
BROWN	LIVE
GREEN & YELLOW	EARTH

The diagram shows the key features of a correctly wired three-pin mains plug.

DISPOSAL

- Coopers of Stortford use recyclable or recycled packaging where possible.
- Please dispose of all packaging, paper, cartons, packaging in accordance with your local recycling regulations.
- Plastics, polybags – Contains the following recyclable plastic.



- At the end of the product's lifespan please check with your local council authorised household waste recycling centre for disposal.

