

Slim Foldable Airer

H625 v01: 10/03/21

Please read and retain these instructions for future reference



Dimensions

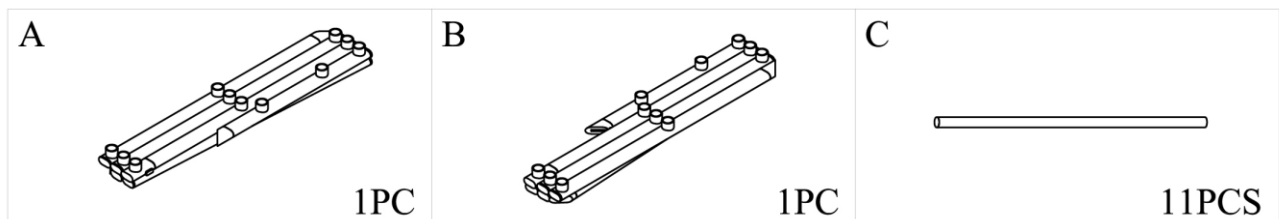
(H)105cm x(W)60cm x(D)35cm

Composition

Metal tube with PP plastic ends

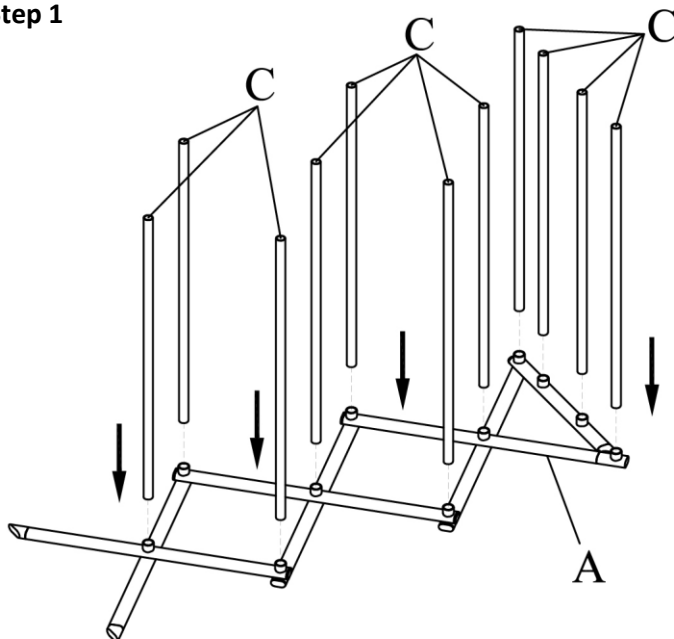
Max weight load: 3kgs

Parts



Assembly

Step 1

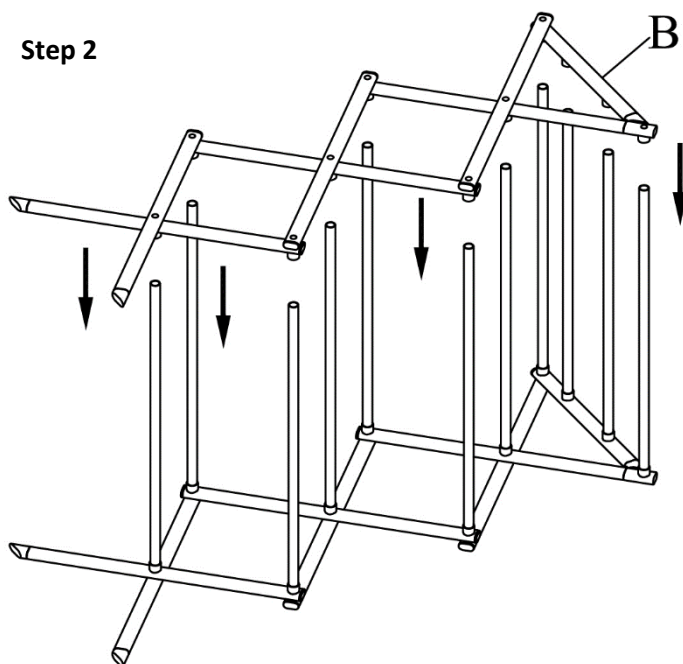


Insert 11 pcs part C into part A as shown.

*Calls cost 7 pence per minute plus your telephone company's network access charge

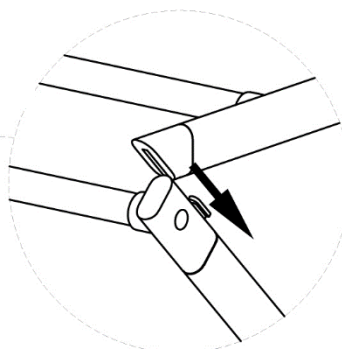
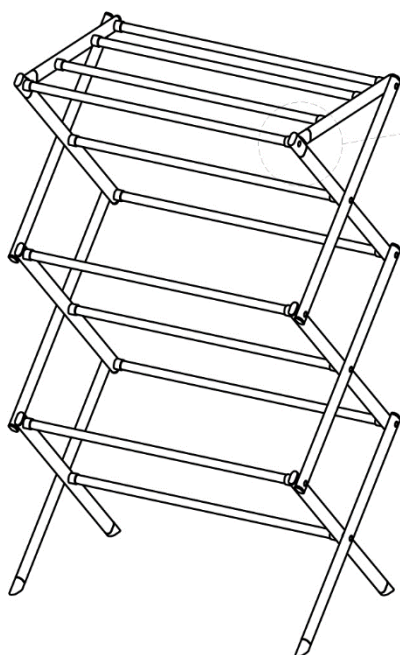
The Enterprise Department
Head Office: 11 Bridge Street
Bishop's Stortford, CM23 2JU
Tel: 0844 482 4400*
Fax: 01279 756 595
www.coopersofstortford.co.uk

Step 2



Align part B with parts C and push in.

Step 3




Always ensure locking mechanism is engaged.

To fold flat release locking mechanism.

DISPOSAL

- Coopers of Stortford use recyclable or recycled packaging where possible.
- Please dispose of all packaging, paper, cartons, packaging in accordance with your local recycling regulations.
- Plastics, polybags – Contains the following recyclable plastic.



Code & Symbol	
Type of Plastic	Polypropylene
Commonly used for	Microwaveable food containers, yoghurt pots, butter tubs, disposable plates and cups
Notes	Commonly recycled and collected from household recycling bins (packaging tape itself not recyclable but does not interfere with cardboard)

- At the end of the product's lifespan please check with your local council authorised household waste recycling centre for disposal.