

12-in-1 Saw

H674 v01: 19/05/21

Please read and retain these instructions for future reference



Dimensions

(H) 26.5 x (W) 11 x (H) 1.8cm

Weight: Saw 156g

Total product weight with box: 576g

Composition

MANGANESE STEEL, ALUMINIUM, ALLOY, NYLON, ABS, HIGH CARBON STEEL, DIAMOND

- UNIVERSAL SAW THAT CAN BE USED ON PLASTIC, GLASS, TILE, METAL, CERAMIC ETC
- 12 DIFFERENT SAW BLADES ALL IN ONE STURDY CASE WITH THE ERGONOMICALLY DESIGNED SAW HANDLE, A HANDY AND COMPACT WAY TO HAVE A MULTITUDE OF SAWS
- IDEAL FOR DIY, WOODWORKING,
- A GREAT GIFT FOR THE DIY LOVER
- SET CONTAINS: 1X HAND SAW 5X SMALL SAW BLADES 1X LARGE WOOD SAW BLADE 1X EMERY ROUND SAW BLADE 1X EMERY FLAT SAW BLADE 2X CENTRE PUNCH DRILL BIT 1X WOOD SAW SCREW 1X TOOL BOX – 1X INSTRUCTIONS

CAUTION!
THIS PACKAGE CONTAINS A BLADED ITEM.

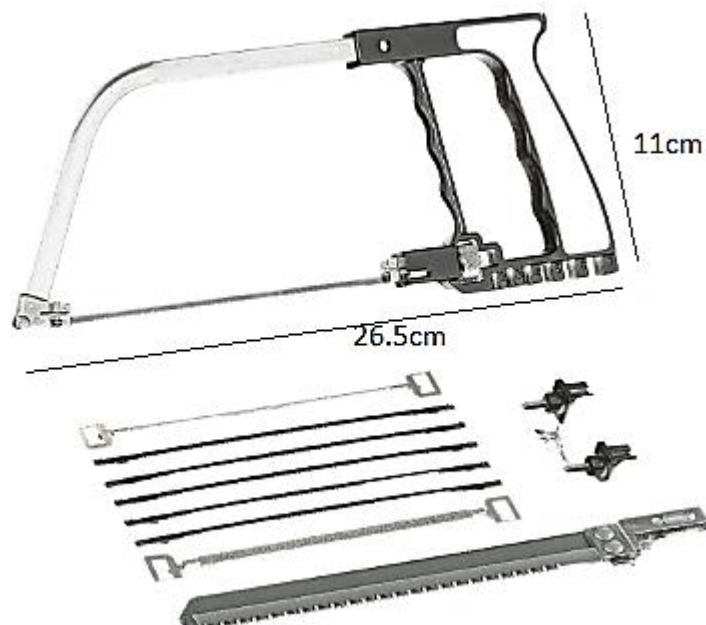


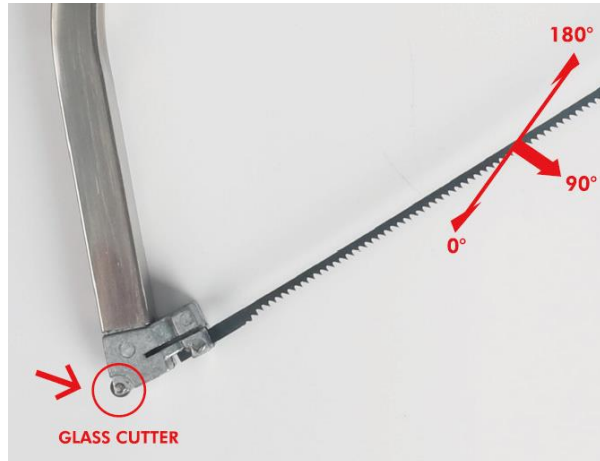
NOT FOR SALE TO PERSONS UNDER 18 YEARS OF AGE.

ASSEMBLY INSTRUCTIONS / INSTRUCTIONS FOR USE:

Unpack the components carefully. Please check all parts have been removed from the packaging.

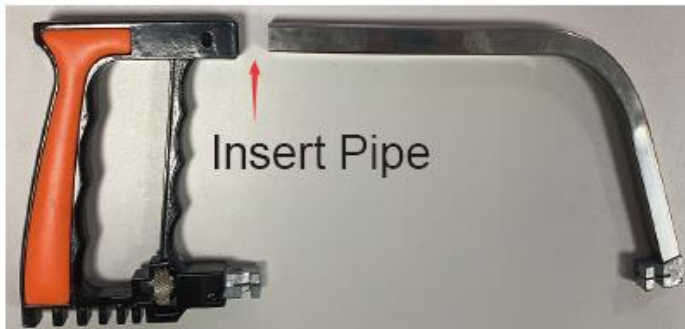
Parts





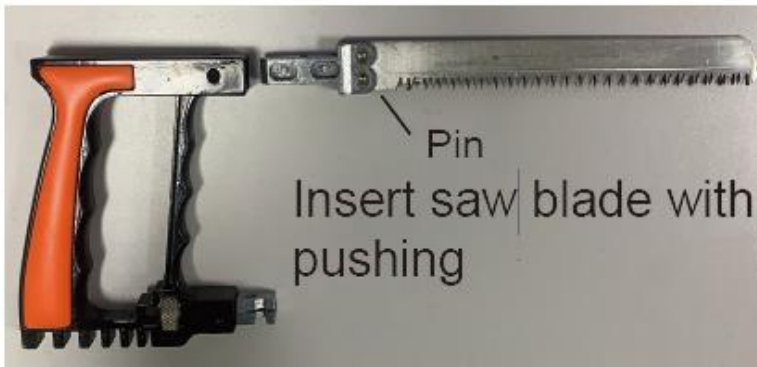
Cutting:

Aluminium/Nail/Pipe/Acrylic/Wood/Rubber/Rope/Electric/Bamboo/Bone



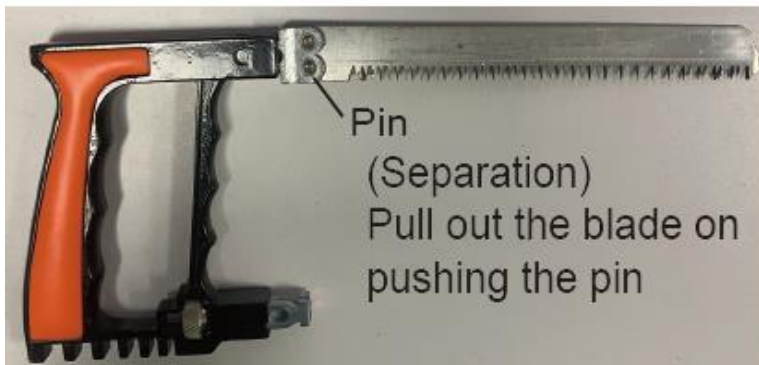
Saw Blade Assembly

1. Insert pipe
2. Slacken the nut
3. Hook up the blade on the front axis first and rear axis (direct the teeth towards the handle. Blades can be installed in 3 different directions: down, right and left)
4. Tighten the nut to fix the blade
5. Locate the front axis against a hard surface and push the handle to compress the frame
6. Retighten the nut as much as possible (the tighter the nut, you will get better performance)



Straight Saw Blade Assembly

1. Insert saw blade by pushing the pin



2. Pull out the blade by pushing the pin

How To Cut Glass And Tiles

The saw cuts glass and tiles with a tool tip attached to the frame
Just pull the tool tip attached to the saw frame towards handle direction at an angle of 45 degrees


Safety

1. Always wear safety gloves when using any saw
2. Mind your fingers when you cut any materials
3. Wear eye protection whenever cutting metals or other hard materials
4. Mount the workpiece in a vice or similar clamping device

DISPOSAL

- Coopers of Stortford use recyclable or recycled packaging where possible.
- Please dispose of all packaging, paper, cartons, packaging in accordance with your local recycling regulations.
- Plastics, polybags – this is made from the following recyclable plastic.



Code & Symbol	 OTHER
Type of Plastic	Nylon/ABS
Commonly used for	CD's, crisp packets, various flexible packaging, baby bottles, sunglass lenses
Notes	Not often or widely recycled

- At the end of the product's lifespan please check with your local council authorised household waste recycling centre for disposal.

