

Gate Legged Table

H696

Instructions for Use

Please read and retain these instructions for future reference

v001: 08/02/21



Dimensions

(H)75.5x(W) 90cm x(D) 60cm (open)

(H)75.5x(W) 19.5x(D) 60cm (folded)

Composition

Tops: MDF, Legs: Pine wood

Weight

10.4kgs

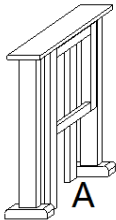
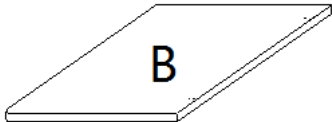
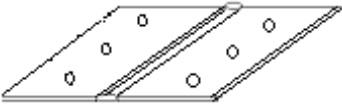
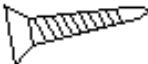
- Fits up to 4 people
- Folds away neatly

Max weight load for each table wing: 10kg

ASSEMBLY INSTRUCTIONS / INSTRUCTIONS FOR USE:

Unpack the components carefully. Please check all parts have been removed from the packaging.

Parts

No.	Pic.	Descript.	Q'ty
A		Frame with Legs	1 Pc
B		Wing Tops	2 Pcs
1		Hinges	4 Pcs
2		Tapping Screws 3x14mm	24 pcs

- **Tools Required: 1 x cross head Screwdriver (Not included)**

Head Office, 11 Bridge Street,
Bishop's Stortford CM23 2JU
Tel: 0844 482 4400*
Fax: 01279 756 595
www.coopersofstortford.co.uk

Coopers
OF STORTFORD

*Calls cost 7 pence per minute plus your
telephone company's network access charge

Please read and retain these instructions for future reference

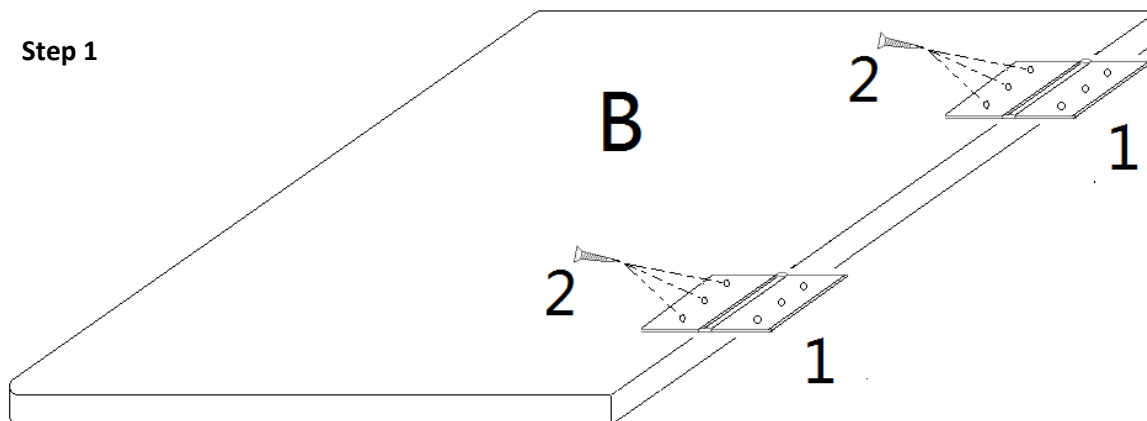
v001: 08/02/21

• 2 Person Assembly

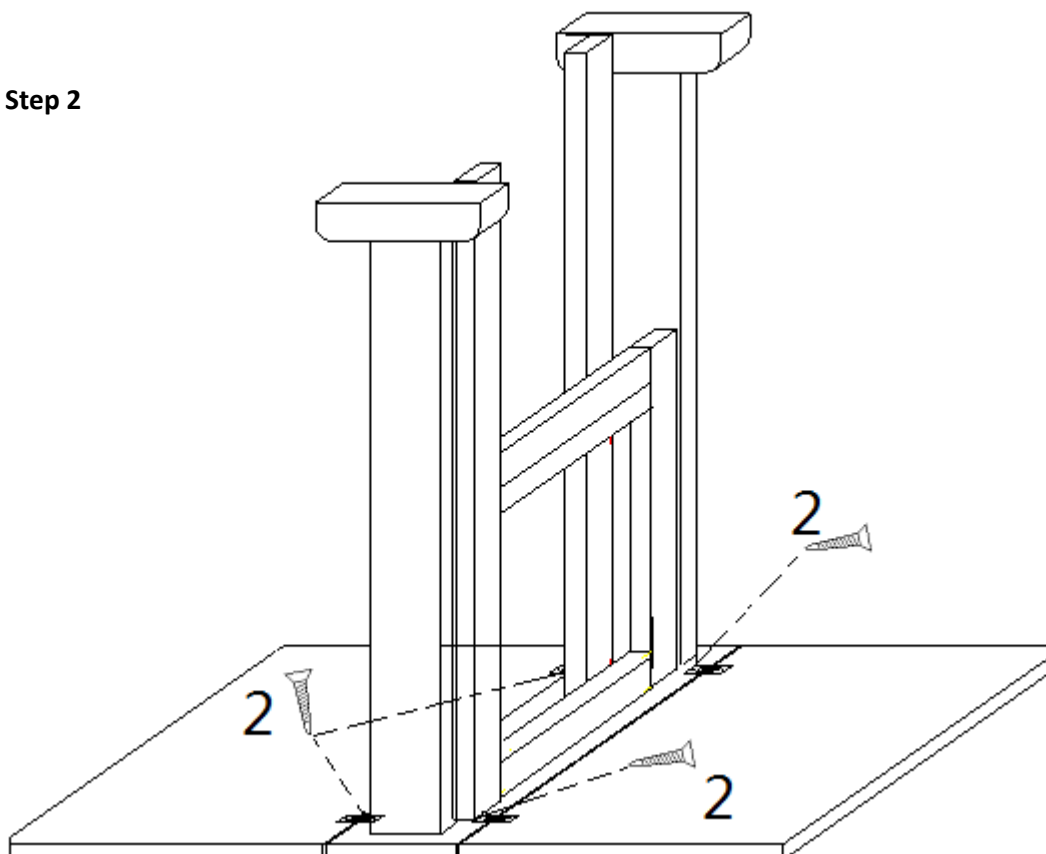
Assemble on a flat surface and cover to protect surface from scratching.

Assembly

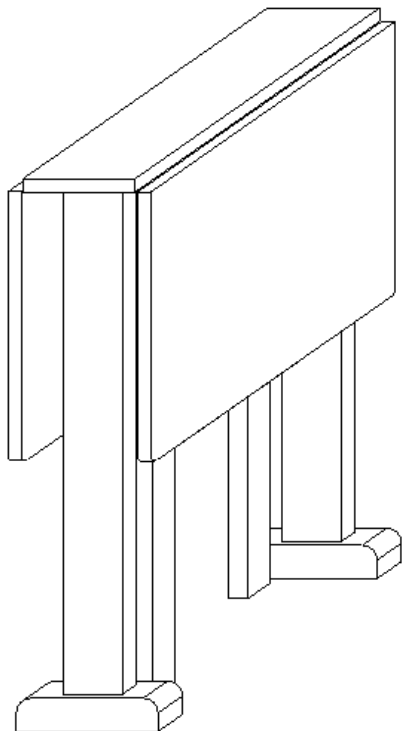
Step 1



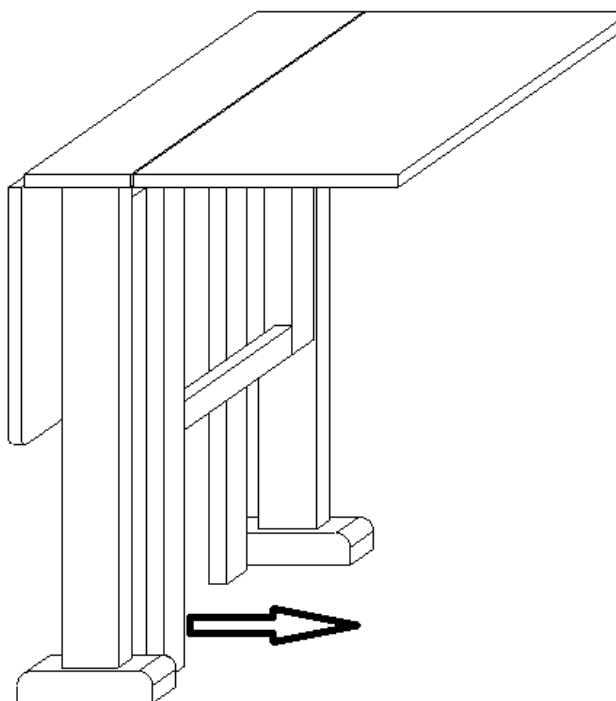
Step 2



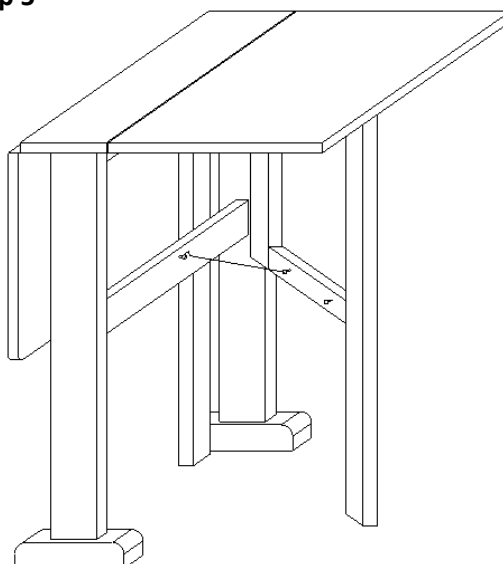
Step 3



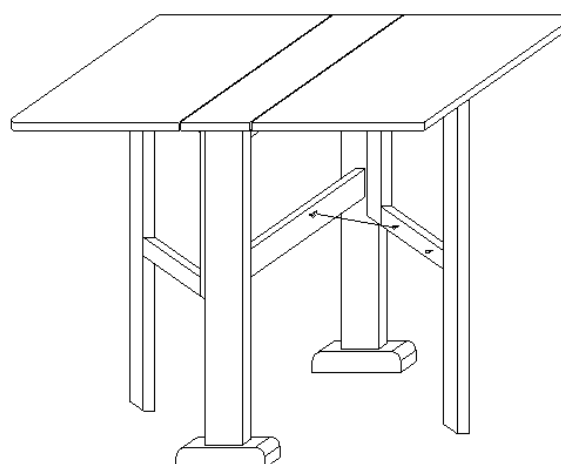
Step 4



Step 5



Step 6



CARE AND CLEANING INSTRUCTIONS:

- Wipe with a clean damp cloth.
- Please ensure all parts are checked regularly and tightened where required.

DISPOSAL

- Coopers of Stortford use recyclable or recycled packaging where possible.
- Please dispose of all packaging, paper, cartons, packaging in accordance with your local recycling regulations.
- At the end of the product's lifespan please check with your local council authorised household waste recycling centre for disposal.

