

**2 Person assembly**  
**Indoor use only. For Light Domestic Use.**  
**Do not sit on this folding table.**  
**Use on flat surface, do not use on uneven surfaces.**

## ASSEMBLY INSTRUCTIONS / INSTRUCTIONS FOR USE:

Unpack the components carefully. Please check all parts have been removed from the packaging.

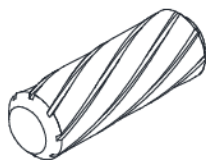
### Before Starting:

- Read each section carefully before starting. It is very important that each step is performed in the correct order. If these steps are not followed in sequence, assembly difficulties will occur.
- Make sure all parts are included. Most board parts are labelled and stamped on the raw edge.
- Work in a spacious area, preferably on a carpet, near the place the unit will be located.
- Do not use power tools to assemble your furniture. Power tools may strip or damage the parts.
- This instruction booklet contains important safety information. please read it carefully and keep for future reference.

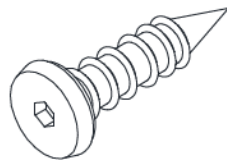
### Helpful Hints

- Clean the product with your choice of furniture polish and a soft cloth. DO NOT USE harsh chemicals or abrasive cleaners.
- Move your new furniture carefully. Two people are needed to lift and carry the unit to its new location.
- Never push or drag your furniture (especially on a carpet).
- Identify, sort and count the parts before beginning assembly.
- Compression dowels should be tapped in with a rubber mallet.
- Slides have a lip on the right only.
- Back panel provides stability and support.
- Unit may collapse without back panel installed.

## Hardware List



Wood Dowel	
1	x 4

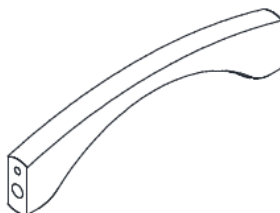


Screw	
2	x 12

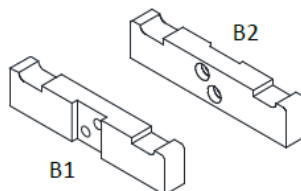


Allen Key	
3	1

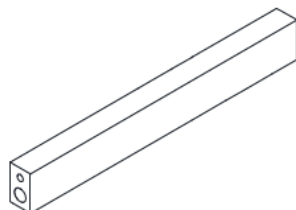
## Parts List



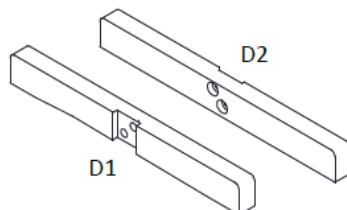
Handle	
A	1



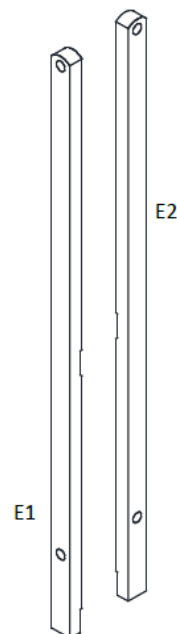
Hanger	
B	2



Cross Bar	
C	1



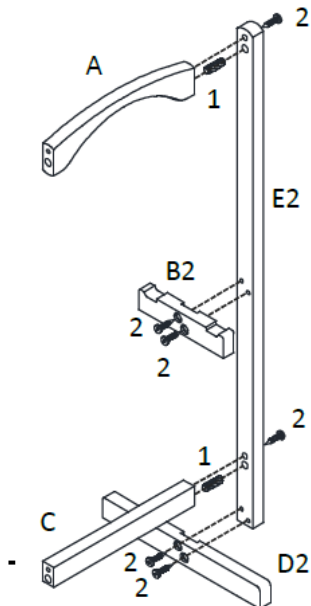
Stretcher	
D	2



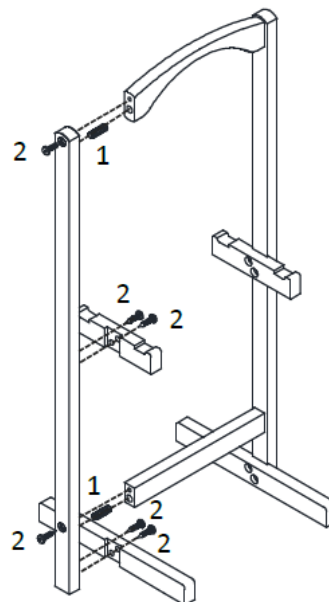
Post	
E	2

## Assembly

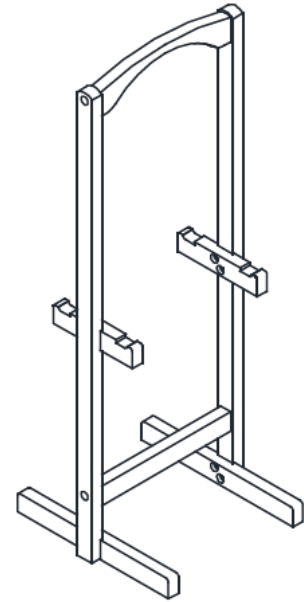
### Step 1:



### Step 2:



### Step 3:



### Weight Limits:

This unit has been designed to support the maximum loads shown. Exceeding these load limits could cause sagging, instability, product collapse, and/or serious injury.



### WARNING

Please make sure that all the objects are removed before moving the assembled unit. The unit must be lifted by more than one person, not dragged or pushed. Failure to do will cause product damage, instability, product collapse, and/or serious injury.

### DISPOSAL

- Coopers of Stortford use recyclable or recycled packaging where possible.
- Please dispose of all packaging, paper, cartons, packaging in accordance with your local recycling regulations.
- At the end of the product's lifespan please check with your local council authorised household waste recycling centre for disposal.

