

Smoothie Maker

K048 v01: 09/08/21

Please read and retain these instructions for future reference

Basilico



Dimensions

(H) 16 x (W) 11.5 x (D) 11.5cm

Length of mains lead: 120cm

Technical details

220V AC, 50/60Hz, 220W

- BLADE ROTATION SPEED – 21000RPM
- OVERHEATING PROTECTION
- EASY TO USE AND CLEAN
- INNER LOCK SWITCH
- ANTI-SLIP RUBBER FEET
- COMES WITH 2 SIZED CUPS AND 2 DIFFERENT BLADES

CAUTION! THIS CONTAINS SHARP BLADES. PLEASE TAKE CARE WHEN CLEANING, WE RECOMMEND THIS IS CLEANED BY AN ADULT.

WARNINGS AND SAFETY INSTRUCTIONS:

WHEN USING ELECTRICAL APPLIANCES, BASIC SAFETY PRECAUTIONS SHOULD ALWAYS BE FOLLOWED:

- READ ALL INSTRUCTIONS BEFORE USE.
- FOR DOMESTIC INDOOR USE ONLY.
- DO NOT USE OUTDOORS OR FOR COMMERCIAL USE.
- BEFORE USE, CHECK THOROUGHLY FOR ANY DEFECTS AND DO NOT USE IF DEFECTS ARE FOUND. TAKE CARE NOT TO DROP THE APPLIANCE AS HEAVY IMPACTS MAY CAUSE INTERNAL DAMAGE.
- BEFORE CONNECTING THE APPLIANCE, CHECK IF THE VOLTAGE INDICATED ON THE BOTTOM OF THE APPLIANCE IS IN ACCORDANCE WITH THE MAINS VOLTAGE IN YOUR HOME.
- CHECK THE APPLIANCE AND POWER CABLE CAREFULLY FOR DAMAGE BEFORE EACH USE.
- THIS APPLIANCE CAN BE USED BY CHILDREN AGED FROM 8 YEARS AND ABOVE, AND PERSONS WITH REDUCED PHYSICAL, SENSORY OR MENTAL CAPABILITIES OR LACK OF EXPERIENCE AND KNOWLEDGE IF THEY HAVE BEEN GIVEN SUPERVISION OR INSTRUCTION CONCERNING USE OF THE APPLIANCE IN A SAFE WAY AND UNDERSTAND THE HAZARDS INVOLVED. CHILDREN SHALL NOT PLAY WITH THE APPLIANCE. CLEANING AND USER MAINTENANCE SHALL NOT BE MADE BY CHILDREN WITHOUT SUPERVISION.
- CHILDREN OF LESS THAN 3 YEARS SHOULD BE KEPT AWAY UNLESS CONTINUOUSLY SUPERVISED.
- **SOME PARTS OF THIS PRODUCT CAN BECOME VERY HOT AND CAUSE BURNS. PARTICULAR ATTENTION HAS TO BE GIVEN WHERE CHILDREN AND VULNERABLE PEOPLE ARE PRESENT.**
- THE USE OF ANY ACCESSORY OR ATTACHMENTS NOT RECOMMENDED BY COOPERS OF STORTFORD MAY CAUSE INJURIES AND INVALIDATE ANY WARRANTY YOU MAY HAVE.

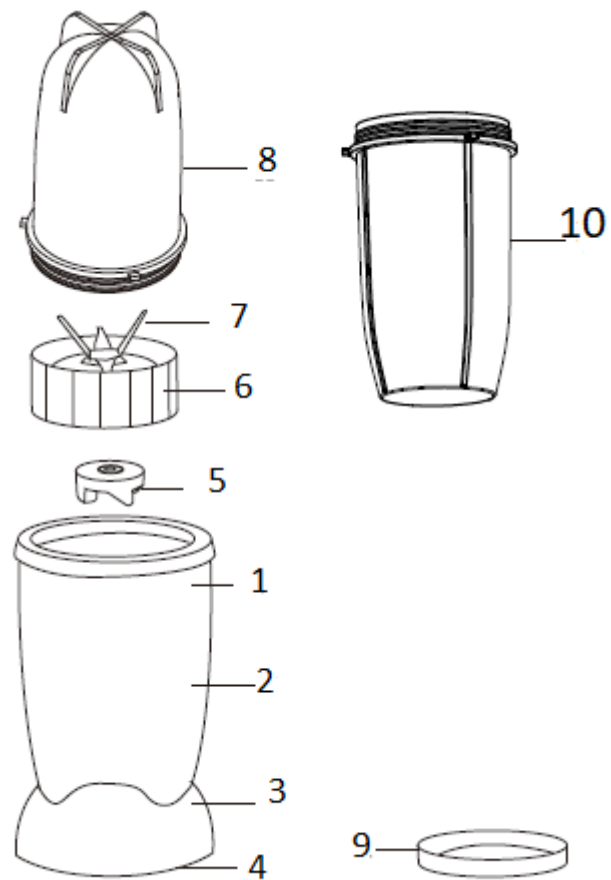
*Calls cost 7 pence per minute plus your telephone company's network access charge

The Enterprise Department
Head Office: 11 Bridge Street
Bishop's Stortford, CM23 2JU
Tel: 0844 482 4400*
Fax: 01279 756 595
www.coopersofstortford.co.uk

- DO NOT LET THE POWER CABLE HANG OVER THE EDGE OF A TABLE OR COUNTER, OR TOUCH HOT SURFACES.
 - DO NOT PLACE ON OR NEAR HEAT SOURCES.
 - USE ON A LEVEL, STABLE SURFACE.
 - DO NOT COVER THE ITEM IN ANY WAY WHEN IN USE AS THIS MAY CAUSE OVERHEATING.
 - DO NOT USE THIS APPLIANCE FOR ANY OTHER USE THAN THE INTENDED USE IT IS DESIGNED FOR.
 - ENSURE THERE IS SUFFICIENT DISTANCE BETWEEN THIS APPLIANCE AND OTHER ITEMS ON THE WORK SURFACE OR WORK STATION, OR SUFFICIENT DISTANCE BETWEEN THE APPLIANCE AND THE CONFINES OF THE AREA IN WHICH IT IS SITUATED. WE RECOMMEND A MINIMUM CLEARANCE AROUND ALL FACES OF AT LEAST 10CM.
 - TO PROTECT AGAINST ELECTRIC SHOCK, DO NOT IMMERSER POWER CABLE, PLUG OR APPLIANCE, IN WATER OR ANY OTHER LIQUID.
 - UNPLUG FROM OUTLET WHEN NOT IN USE AND BEFORE CLEANING.
 - DO NOT OPERATE ANY APPLIANCE WITH A DAMAGED POWER CABLE OR PLUG OR AFTER THE APPLIANCE MALFUNCTIONS, OR HAS BEEN DAMAGED IN ANY MANNER. WE RECOMMEND THAT THE POWER CABLE IS NOT KINKED OR STORED IN A TWISTED MANNER, AND THAT YOU REGULARLY CHECK ITS CONDITION.
 - ANY REPAIRS MUST BE CONDUCTED BY A QUALIFIED ELECTRICIAN OR ELECTRICAL SERVICE AGENT.
 - DO NOT LEAVE UNATTENDED.
 - ALWAYS SWITCH OFF AFTER COOKING OR IF YOU HAVE TO LEAVE THE ROOM.
 - THE USE OF OVEN GLOVES IS RECOMMENDED WHEN HANDLING HOT FOOD OR HOT GRILL.
 - ALLOW TO COOL BEFORE CARRYING OR PLACING IN STORAGE.
-
- **BLADES ARE SHARP. USE EXTREME CAUTION WHEN HANDLING THE BLADES. ALWAYS HOLD THE BLADES BY THE BASE OF THE BLADE ASSEMBLY. BLADES SHOULD ONLY BE REMOVED BY AN ADULT.**
 - **AVOID ANY CONTACT WITH MOVING PARTS.**
 - **NEVER OPERATE THE APPLIANCE WHEN IT IS EMPTY AND WITHOUT LIQUIDS OR INGREDIENTS IN THE SMOOTHIE MAKER.**
 - **DO NOT PROCESS HOT FOODS OR HOT LIQUIDS.**
 - **NEVER ATTEMPT TO REMOVE THE CUP WHILE THE APPLIANCE IS STILL RUNNING.**
 - **NEVER LEAVE THE APPLIANCE UNATTENDED WHILE IN USE.**
 - **TO AVOID WATER LEAKAGE OR CUP LOSS, THE BLADE BASE AND CUP MUST BE TIGHTENED VERY WELL AND THE SEAL RING MUST BE INSTALLED.**
 - **DO NOT TOUCH INNER BUILT-IN SWITCH BY HAND BEFORE THE CUP IS FITTED INTO THE MAIN BODY. DO NOT DIRECTLY RUN THE BLADE COMPONENTS USED ON THE MAIN BODY AND DONOT TOUCH ROTATING PARTS WHEN IN USE.**
 - **DO NOT PUT YOUR FINGERS OR UTENSILS (ESPECIALLY SPOONS) INTO THE CUP AFTER THE MACHINE IS POWERED ON.**
 - **THIS APPLIANCE IS EQUIPPED WITH OVERHEATING PROTECTION. THE MACHINE WILL STOP OPERATING WHEN IT IS OVERHEATED. THE POWER MUST BE SWITCHED OFF AND THE SMOOTHIE MAKER CAN BE RESTARTED AFTER 20 MINUTES.**

Parts

1. Main unit
2. Housing
3. Base
4. Bottom cover
5. Connector
6. Cup base
7. Cross blade base
8. High cup (600ml)
9. Flat cover x2
10. Low cup (300ml)



Before use:

There is a security device on the upper part of the main unit. When putting any cup onto the main unit, make sure the three convex parts at the bottom are well fixed to the concave parts of the main unit. They have to engage for the Smoothie Maker to work.

Important: Continuous operating period can not exceed one minute.

The Smoothie Maker is equipped with one flat blade and one cross blade. The **flat blade** base is used with the **low cup** for crushing dried fruit items (rice, beans, sesame, dried pepper, walnuts, dried herbs etc). The **cross blade** is used with the **high cup** for processing vegetables, fruits, ice. The cross blade base can also be used with the large cup for making soya-bean milk, juices, fruit juice etc.

The Smoothie Maker also has a new large capacity chopper which can be used to chop meat, process vegetables and fruits.

Note: The food to be processed in the cup should not exceed 70% of the cup's volume.

Caution:

The continuous operating time of the motor should not exceed one minute.

User instructions

Use flat blade together with low cup for grinding.

Use cross blade together with high cup for blending.

1. Put the food in the cup, making sure it does not exceed 100g.
2. Twist either the flat blade or the cross blade on the bottom of the cup and fix it on the main body. Turn the Smoothie Maker upside down.
3. Plug in the machine. Grinding/blending commences as soon as the cup is locked in place and should take about 30 seconds. (You might have to slightly push down the cup or twist and lock it to engage the lock.)
4. Unplug the machine once it has finished, then twist the blade and pour out the food.
5. Take out the cup in a clockwise direction.
6. With one hand grasp the cup, hold the blade in the other hand. Take out the blade in a clockwise direction and pour the food out.
7. If you do not want to use the food right away, fit the cover tightly to avoid the food spoiling.

CLEANING AND MAINTENANCE

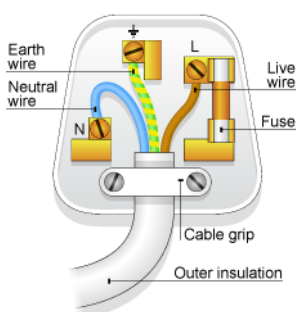
- To avoid electric shock, ensure you unplug the power line when cleaning components or wiping the main body with a damp cloth. Do not immerse main body in water.
- CAUTION! The blades are sharp. Please take care when cleaning. We recommend this is cleaned by an adult. The use of kitchen glove to safety gloves is recommended.
- The cups, blades and lids can be washed in soapy water.
- Dry components and reassemble them for reuse after cleaning.
- To keep the motor of the machine away from moisture, store the Smoothie Maker in a cool, dry and ventilated space.

PLUG WIRING (UK & IRELAND)

This appliance is fitted with a BS 1363 13-amp plug. If you have to replace the fuse, only those that are ASTA or BSI approved to BS1362 and with a rated current of 3-amperes should be used. If there is a fuse cover fitted, this cover must be re-fitted after changing the fuse. If the fuse cover is lost or damaged the plug must not be used. Spare fuse holders and fuses are available from electrical outlets. If the socket outlets in your home or office are not suitable for this product's plug, the plug must be removed and disposed of safely. Attempts to insert the plug into the wrong socket is likely to cause electric hazard. A replacement plug should be wired according to the following instructions:

The cable

A mains electricity cable contains two or three inner wires. Each has a core of copper and an outer layer of flexible plastic. This product is earthed; the wires in the cord set are colour coded in the following way:



BLUE	NEUTRAL
BROWN	LIVE
GREEN & YELLOW	EARTH

The diagram shows the key features of a correctly wired three-pin mains plug.

DISPOSAL:

Smoothie Maker

K048



Instructions for Use

Please read and retain these instructions for future reference

v01: 09/08/21

- Coopers of Stortford use recyclable or recycled packaging where possible.
- Please dispose of all packaging, paper, cartons, packaging in accordance with your local recycling regulations.
- Plastics, polybags – Contains the following recyclable plastic.



Code & Symbol	 PETE	 OTHER
Type of Plastic	Polyethylene Terephthalate	ABS, PC
Commonly used for	Soft drink and juice bottles, shampoo bottles, meat trays, fruit punnets	CD's, crisp packets, various flexible packaging, baby bottles, sunglass lenses
Notes	Commonly recycled and collected from household recycling bins. Check with your local authority	Not often or widely recycled

- At the end of the product's lifespan please check with your local council authorised household waste recycling centre for disposal.

