

Floor Lamp with Shelving

K066 v02: 19/11/21

Please read and retain these instructions for future reference



Dimensions

(H) 159 x (W) 26 x (D) 26cm

Weight: 4.2kg

Length of mains lead: 3m

- PLASTIC AND WOOD WITH FABRIC SHADE
- BULB REQUIREMENT – LED BULB

Technical details

220-240V AC

50/60Hz

60W

1x LED bulb(E27, Max 60w, 220-240V - (not included)

ASSEMBLY INSTRUCTIONS / INSTRUCTIONS FOR USE:

Unpack the components carefully. Please check all parts have been removed from the packaging.

Parts

DESCRIPTION	QUANTITY
Fabric shade	1
Bottom board	1
Shelf board	2
Lamp holder board	1
Short pole	4
Long pole	12
Top frame	1
Lamp holder	1

HARDWARE CONTENTS (shown actual size)



Screws
Qty.8



Double-Sided
Screw
Qty.12



Small
Plastic
Anchors
Qty.4



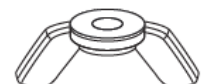
Plastic Cord
Clips Qty.2



Round
Cushions
Qty.4



Plastic
Caps
Qty.4

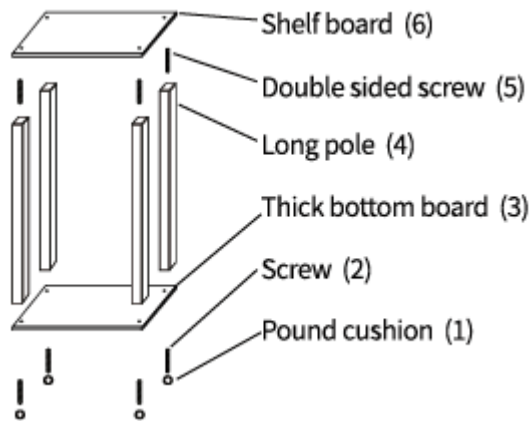


Wing Nut
Qty.1

Wing nut is attached to the power cord already for your convenience.

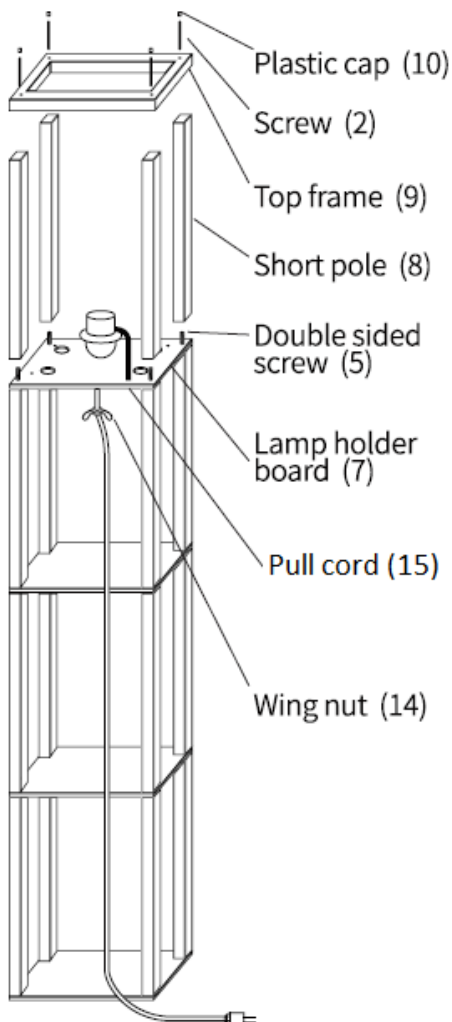


Tool required for Assembly:
philips Head Screwdriver
(included)



Step 1.

Holding bottom board (3) upside down, insert four screws (2) through the holes in the four corners and tighten into four long poles (4) so that the screw heads are recessed into the bottom board (3), place round the cushions (1) to cover the four holes, turn this completed section right-side up. Screw four double sided screws (5) into top of the four long poles (4). Place first shelf board (6) onto four protruding double-sided screws (5).



Step 2

Screw four long poles (4) onto the protruding double-sided screws (5). Screw four double-sided screws (5) into the top of the four long poles (4). Place second shelf board (6) onto four protruding double-sided screws (5).

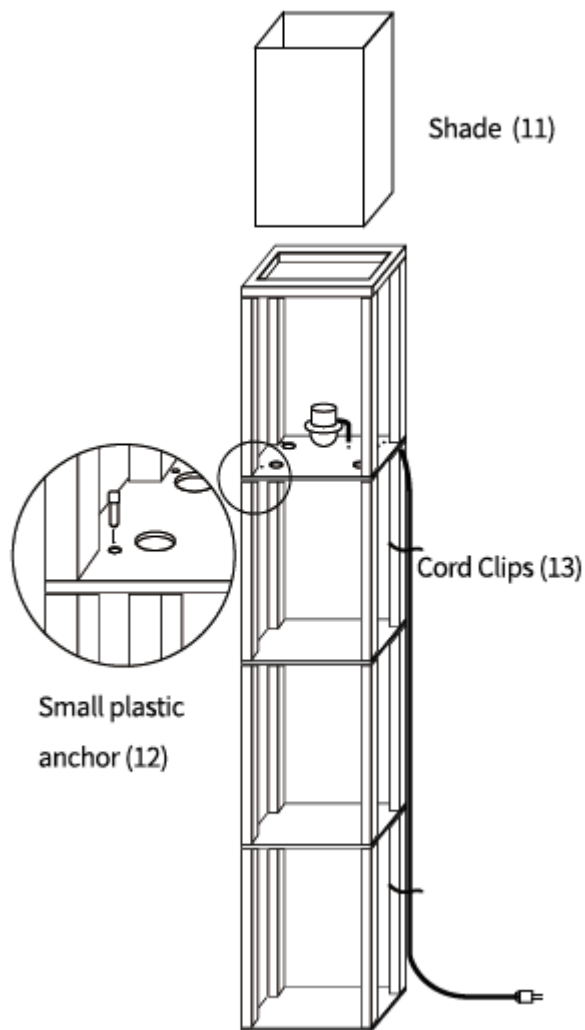
Step 3

Screw four long poles (4) onto the protruding double-sided screws (5). Screw four double-sided screws (5) into top of the four long poles (4). Place lamp holder board (7) onto four protruding double-sided screws (5). Attach the lamp holder to this lamp holder board (7) by inserting the base screw of the lamp holder through the lamp holder board (7) and securing it with the wing nut (14) underneath the lamp holder board (7).

Step 4

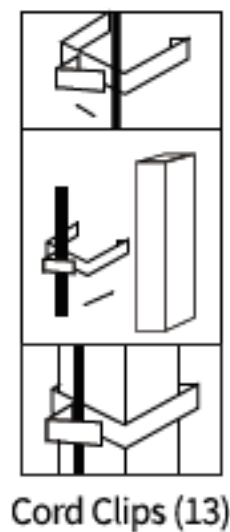
Screw four short poles (8) onto the double-sided screws (5). Place top frame (9) onto the four poles; Insert four screws (2) through the holes in the four corners and tighten into four short poles (8), so that the screw-heads are recessed into the top frame (9). Place small plastic caps (10) into recessed holes in the four corners.

Step 5



Step 5

Insert the four small plastic anchors (12) into the small holes near the corners of the lamp holder board (7). Unfold fabric shade (11) and place through the top frame (9) down onto the lamp holder board (7) outside of the four small plastic anchors (12). Use plastic cord clips (13) to secure the electric cord to the poles along the side. See diagram below:



- To switch on the light, pull the cord (15). Note: if the cord is difficult to operate from its original hole, feed the cord through one of the other 3 holes.

Cleaning and Maintenance

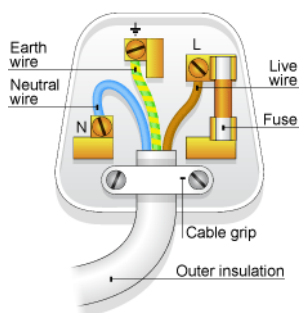
- Unplug the lamp before cleaning.
- Use a clean, dry, soft, lint-free cloth.
- Do not use water or other chemical cleaning agents.

PLUG WIRING (UK & IRELAND)

This appliance is fitted with a BS 1363 3-amp plug. If you have to replace the fuse, only those that are ASTA or BSI approved to BS1362 and with a rated current of 3-amperes should be used. If there is a fuse cover fitted, this cover must be re-fitted after changing the fuse. If the fuse cover is lost or damaged the plug must not be used. Spare fuse holders and fuses are available from electrical outlets. If the socket outlets in your home or office are not suitable for this product's plug, the plug must be removed and disposed of safely. Attempts to insert the plug into the wrong socket is likely to cause electric hazard. A replacement plug should be wired according to the following instructions:

The cable

A mains electricity cable contains two or three inner wires. Each has a core of copper and an outer layer of flexible plastic. This product is earthed; the wires in the cord set are colour coded in the following way:






BLUE	NEUTRAL
BROWN	LIVE
GREEN & YELLOW	EARTH

The diagram shows the key features of a correctly wired three-pin mains plug.

DISPOSAL

- Coopers of Stortford use recyclable or recycled packaging where possible.
- Please dispose of all packaging, paper, cartons, packaging in accordance with your local recycling regulations.
- Plastics, polybags – this is made from the following recyclable plastic.



Code & Symbol	 PVC	 PP	 OTHER
Type of Plastic	Polyvinyl Chloride	Polypropylene	PP, PA46
Commonly used for	Pipes, construction material, flooring, windows, guttering, plaster packs	Microwaveable food containers, yoghurt pots, butter tubs, disposable plates and cups	CD's, crisp packets, various flexible packaging, baby bottles, sunglass lenses
Notes	Not usually collected from household recycling bins, Sometimes recycled at local waste management centres.	Commonly recycled and collected from household recycling bins (packaging tape itself not recyclable but does not interfere with cardboard)	Not often or widely recycled

- At the end of the product's lifespan please check with your local council authorised household waste recycling centre for disposal.

