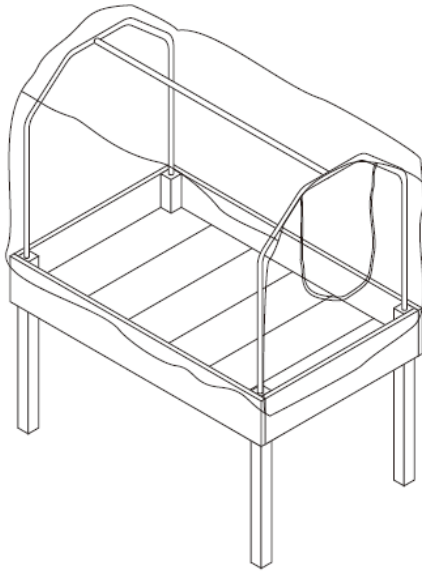


Raised Potager with Cover

K166 v002: 21/02/22

Please read and retain these instructions for future reference

GAINSBOROUGH
Garden & Wildlife



Dimensions

(H) 80 x (W) 100 x (D) 45cm

Composition

Fir Wood Base, PVC Cover

Board thickness: 1.4cm

112L Capacity

Cover dimensions: 100 x 45 x H40cm




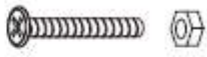



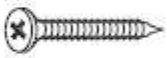

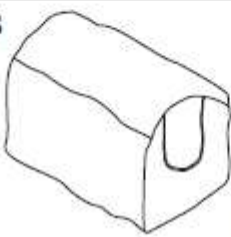

Cover with easy access zip opening

Max weight load: 50kgs

ASSEMBLY INSTRUCTIONS / INSTRUCTIONS FOR USE:

Unpack the components carefully. Please check all parts have been removed from the packaging.

Parts

1  x4	2  x2	3  x2	A  x16
4  x2	5  x4	6  x4	B  x24
7  x1	8  x1	9  x2	1x long 2x short pieces of wood for use as dividers (not shown)

*Calls cost 7 pence per minute plus your telephone company's network access charge

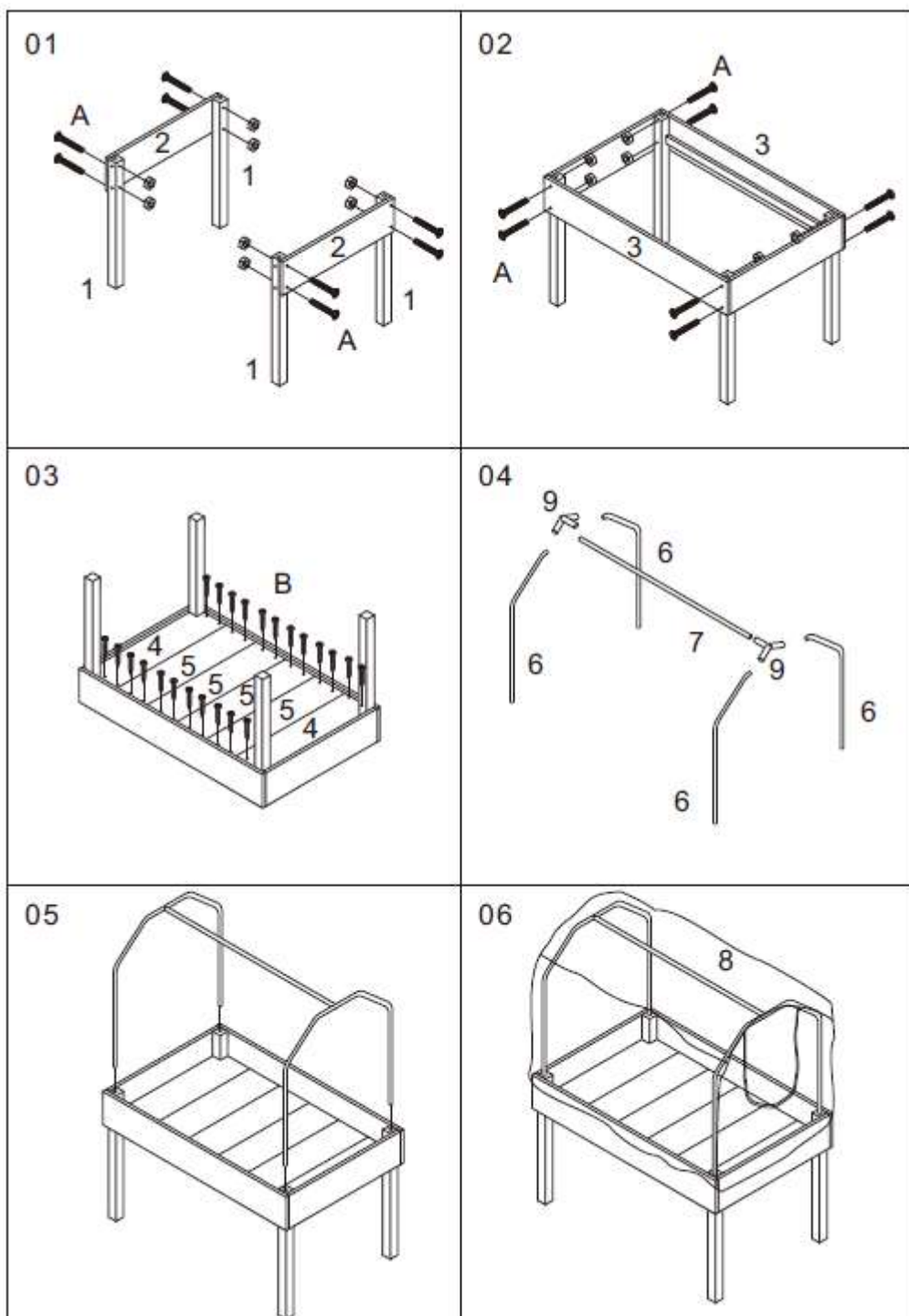
The Enterprise Department
Head Office: 11 Bridge Street
Bishop's Stortford, CM23 2JU
Tel: 0844 482 4400*
Fax: 01279 756 595
www.coopersofstortford.co.uk

Raised Potager with Cover

Please read and retain these instructions for future reference

K166 Instructions for Use

v002: 21/02/22



*Calls cost 7 pence per minute plus your telephone company's network access charge

The Enterprise Department
Head Office: 11 Bridge Street
Bishop's Stortford, CM23 2JU
Tel: 0844 482 4400*
Fax: 01279 756 595
www.coopersofstortford.co.uk

Raised Potager with Cover

Please read and retain these instructions for future reference

K166 Instructions for Use

v002: 21/02/22




3 pieces of wood can be slotted together as shown to divide the planter into 6 sections.

DISPOSAL

- Coopers of Stortford use recyclable or recycled packaging where possible.
- Please dispose of all packaging, paper, cartons, packaging in accordance with your local recycling regulations.
- Plastics, polybags – this is made from the following recyclable plastic.



Code & Symbol	
Type of Plastic	Polyvinyl Chloride
Commonly used for	Pipes, construction material, flooring, windows, guttering, plaster packs
Notes	Not usually collected from household recycling bins, Sometimes recycled at local waste management centres.

- At the end of the product's lifespan please check with your local council authorised household waste recycling centre for disposal.

*Calls cost 7 pence per minute plus your telephone company's network access charge

The Enterprise Department
Head Office: 11 Bridge Street
Bishop's Stortford, CM23 2JU
Tel: 0844 482 4400*
Fax: 01279 756 595
www.coopersofstortford.co.uk