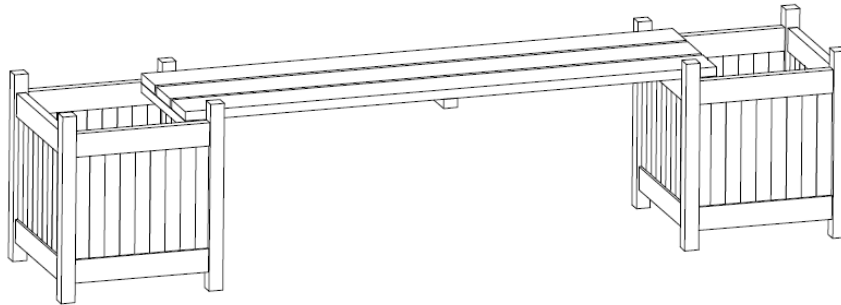


Wooden Planter Bench

K243 v001: 06/10/21

Please read and retain these instructions for future reference

GAINSBOROUGH
Garden & Wildlife



Dimensions

THE BENCH IS 120CM WIDE AND 30CM DEEP. EACH PLANTER ON THE END IS 35X35CM SQUARE AND 40CM HIGH

Material: Fir Wood

- THERE ARE DRAINAGE HOLES IN THE BASE OF EACH PLANTER
- THE NATURAL WOOD COLOUR MEANS THAT IT WILL COMPLEMENT ALL COLOURS OF PLANTS AND FLOWERS
- THE PLANTERS SIT ON 4 FEET WHICH KEEPS THEM RAISED OFF OF THE GROUND TO ALLOW FOR BETTER DRAINAGE AND TO PREVENT THE BASES GETTING DAMP
- WEATHER TREATED SO YOU CAN LEAVE IT OUT ALL YEAR ROUND
- **MAXIMUM WEIGHT CAPACITY 135KGS**

ASSEMBLY INSTRUCTIONS / INSTRUCTIONS FOR USE:

Unpack the components carefully. Please check all parts have been removed from the packaging.

Parts

1. 4pcs



2. 4pcs



3. 3pcs



4. 1pc



3.5 x50mm

16pcs



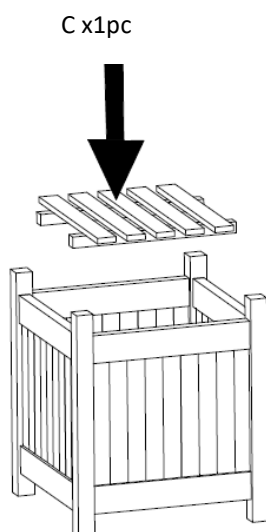
Wooden Planter Bench

K243

Instructions for Use

Please read and retain these instructions for future reference

v001: 06/10/21



*Calls cost 7 pence per minute plus your telephone company's network access charge

The Enterprise Department
Head Office: 11 Bridge Street
Bishop's Stortford, CM23 2JU
Tel: 0844 482 4400*
Fax: 01279 756 595
www.coopersofstortford.co.uk

Wooden Planter Bench

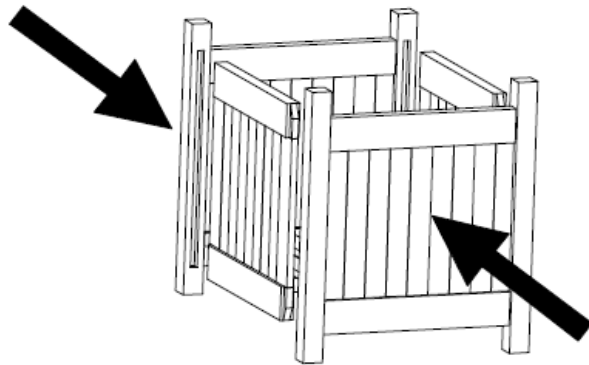
K243

Instructions for Use

Please read and retain these instructions for future reference

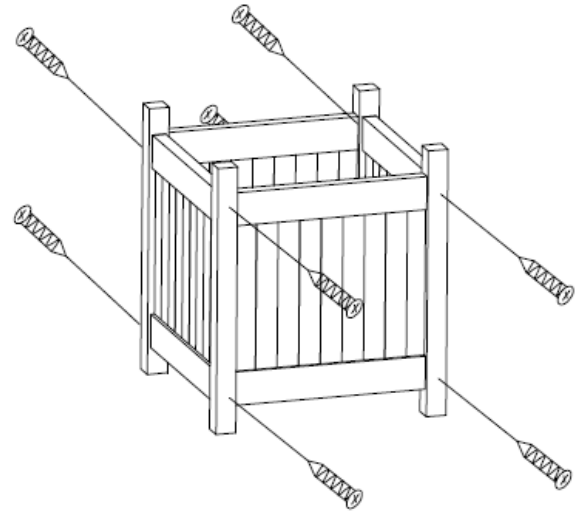
v001: 06/10/21

A. x2pcs



B. x2pcs

3.5 x50mm 8pcs

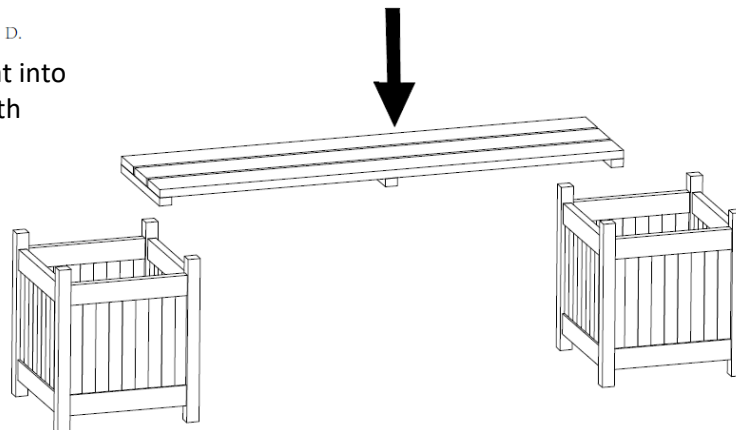


Assembly

Assemble each planter as shown

D.

Slot in the bench seat into the 2 planters on both sides as shown.



Important: The side planters need to be full for the seat to be fully stable.

*Calls cost 7 pence per minute plus your telephone company's network access charge

The Enterprise Department
Head Office: 11 Bridge Street
Bishop's Stortford, CM23 2JU
Tel: 0844 482 4400*
Fax: 01279 756 595
www.coopersofstortford.co.uk

Cleaning and Maintenance

- Wipe over with a soft brush

DISPOSAL

- Coopers of Stortford use recyclable or recycled packaging where possible.
- Please dispose of all packaging, paper, cartons, packaging in accordance with your local recycling regulations.
- At the end of the product's lifespan please check with your local council authorised household waste recycling centre for disposal.

