

Powerful Electric Painting Sprayer Gun

K310

v002: 02/11/22

Please read and retain these instructions for future reference



Technical details

INPUT VOLTAGE/FREQUENCY:
220-240V/50HZ,
RATED INPUT POWER:600W

Dimensions

(H) 31 x (W) 12.5 x (D) 37cm

Weight: 1.82kg

Length of mains lead: 2m

Material: Copper, PP, ABS, Nylon Plastic

- SPRAYING PRESSURE:0.1-0.2BAR
- MAX FLOW:600ML/MIN
- MAX. VISCOSITY:70DIN-S
- NOZZLE:Φ2.5MM
- CONTAINER CAPACITY:800ML
- AIR HOSE LENGTH:1.8M
- ACCESSORIES:
1X VISCOSITY MEASURING CUP;
1X SHOULDER STRAP;
1X NOZZLE CLEANING NEEDLE

ASSEMBLY INSTRUCTIONS / INSTRUCTIONS FOR USE:

Unpack the components carefully. Please check all parts have been removed from the packaging.

This item requires two hands to use safely.


WARNINGS AND SAFETY INSTRUCTIONS:

WHEN USING ELECTRICAL APPLIANCES, BASIC SAFETY PRECAUTIONS SHOULD ALWAYS BE FOLLOWED:

- READ ALL INSTRUCTIONS BEFORE USE.
- BEFORE USE, CHECK THOROUGHLY FOR ANY DEFECTS AND DO NOT USE IF DEFECTS ARE FOUND. TAKE CARE NOT TO DROP THE APPLIANCE AS HEAVY IMPACTS MAY CAUSE INTERNAL DAMAGE.
- BEFORE CONNECTING THE APPLIANCE, CHECK IF THE VOLTAGE INDICATED ON THE BOTTOM OF THE APPLIANCE IS IN ACCORDANCE WITH THE MAINS VOLTAGE IN YOUR HOME.
- CHECK THE APPLIANCE AND POWER CABLE CAREFULLY FOR DAMAGE BEFORE EACH USE.
- THIS APPLIANCE CAN BE USED BY CHILDREN AGED FROM 8 YEARS AND ABOVE, AND PERSONS WITH REDUCED PHYSICAL, SENSORY OR MENTAL CAPABILITIES OR LACK OF EXPERIENCE AND KNOWLEDGE IF THEY HAVE BEEN GIVEN SUPERVISION OR INSTRUCTION CONCERNING USE OF THE APPLIANCE IN A SAFE WAY AND UNDERSTAND THE HAZARDS INVOLVED. CHILDREN SHALL NOT PLAY WITH THE APPLIANCE. CLEANING AND USER MAINTENANCE SHALL NOT BE MADE BY CHILDREN WITHOUT SUPERVISION.
- CHILDREN OF LESS THAN 3 YEARS SHOULD BE KEPT AWAY UNLESS CONTINUOUSLY SUPERVISED.
- **SOME PARTS OF THIS PRODUCT CAN BECOME VERY HOT AND CAUSE BURNS. PARTICULAR ATTENTION HAS TO BE GIVEN WHERE CHILDREN AND VULNERABLE PEOPLE ARE PRESENT.**
- THE USE OF ANY ACCESSORY OR ATTACHMENTS NOT RECOMMENDED BY COOPERS OF STORTFORD MAY CAUSE INJURIES AND INVALIDATE ANY WARRANTY YOU MAY HAVE.

- DO NOT LET THE POWER CABLE HANG OVER THE EDGE OF A TABLE OR COUNTER, OR TOUCH HOT SURFACES.
- DO NOT PLACE ON OR NEAR HEAT SOURCES.
- USE ON A LEVEL, STABLE SURFACE.
- DO NOT COVER THE ITEM IN ANY WAY WHEN IN USE AS THIS MAY CAUSE OVERHEATING.
- DO NOT USE THIS APPLIANCE FOR ANY OTHER USE THAN THE INTENDED USE IT IS DESIGNED FOR.
- ENSURE THERE IS SUFFICIENT DISTANCE BETWEEN THIS APPLIANCE AND OTHER ITEMS ON THE WORK SURFACE OR WORK STATION, OR SUFFICIENT DISTANCE BETWEEN THE APPLIANCE AND THE CONFINES OF THE AREA IN WHICH IT IS SITUATED. WE RECOMMEND A MINIMUM CLEARANCE AROUND ALL FACES OF AT LEAST 10CM.
- TO PROTECT AGAINST ELECTRIC SHOCK, DO NOT IMMERSER POWER CABLE, PLUG OR APPLIANCE, IN WATER OR ANY OTHER LIQUID.
- UNPLUG FROM OUTLET WHEN NOT IN USE AND BEFORE CLEANING.
- DO NOT OPERATE ANY APPLIANCE WITH A DAMAGED POWER CABLE OR PLUG OR AFTER THE APPLIANCE MALFUNCTIONS, OR HAS BEEN DAMAGED IN ANY MANNER. WE RECOMMEND THAT THE POWER CABLE IS NOT KINKED OR STORED IN A TWISTED MANNER, AND THAT YOU REGULARLY CHECK ITS CONDITION.
- ANY REPAIRS MUST BE CONDUCTED BY A QUALIFIED ELECTRICIAN OR ELECTRICAL SERVICE AGENT.

General Power Tool Safety Warnings

 **WARNING** Read all safety warnings and all instructions. *Failure to follow the warnings and instructions may result in electric shock, fire and/or serious injury.*

Save all warnings and instructions for future reference.

The term "power tool" in the warnings refers to your mains-operated (corded) power tool or battery-operated (cordless) power tool.

1) Work area safety

- a) **Keep work area clean and well lit.** Cluttered or dark areas invite accidents.
- b) **Do not operate power tools in explosive atmospheres, such as in the presence of flammable liquids, gases or dust.** *Power tools create sparks which may ignite the dust or fumes.*
- c) **Keep children and bystanders away while operating a power tool.** *Distractions can cause you to lose control.*

2) Electrical safety

- a) **Power tool plugs must match the outlet. Never modify the plug in any way. Do not use any adapter plugs with earthed (grounded) power tools.** *Unmodified plugs and matching outlets will reduce risk of electric shock.*
- b) **Avoid body contact with earthed or grounded surfaces, such as pipes, radiators, ranges and refrigerators.** *There is an increased risk of electric shock if your body is earthed or grounded.*
- c) **Do not expose power tools to rain or wet conditions.** *Water entering a power tool will increase the risk of electric shock.*

COOPERS
OF STORTFORD

UK Head Office, 11 Bridge Street, Bishop's Stortford, CM23 2JU

Tel: 0844 4824400*, Fax: 01279 756595

www.coopersofstortford.co.uk

EU address: D.S.B. LD, 160 Bd. de Fourmies, 59100 Roubaix, France

Tel: (+44) 1279 701269

*UK Calls cost around 7 pence per minute plus your telephone company's network access.

Please check with your telephone supplier.

- d) **Do not abuse the cord. Never use the cord for carrying, pulling or unplugging the power tool. Keep cord away from heat, oil, sharp edges or moving parts. Damaged or entangled cords increase the risk of electric shock.**
- e) **When operating a power tool outdoors, use an extension cord suitable for outdoor use. Use of a cord suitable for outdoor use reduces the risk of electric shock.**
- f) **If operating a power tool in a damp location is unavoidable, use a residual current device (RCD) protected supply. Use of an RCD reduces the risk of electric shock.**

3) Personal safety

- a) **Stay alert, watch what you are doing and use common sense when operating a power tool. Do not use a power tool while you are tired or under the influence of drugs, alcohol or medication. A moment of inattention while operating power tools may result in serious personal injury.**
- b) **Use personal protective equipment. Always wear eye protection. Protective equipment such as dust mask, non-skid safety shoes, hard hat, or hearing protection used for appropriate conditions will reduce personal injuries.**
- c) **Prevent unintentional starting. Ensure the switch is in the off-position before connecting to power source and/or battery pack, picking up or carrying the tool. Carrying power tools with your finger on the switch or energising power tools that have the switch on invites accidents.**
- d) **Remove any adjusting key or wrench before turning the power tool on. A wrench or a key left attached to a rotating part of the power tool may result in personal injury.**
- e) **Do not overreach. Keep proper footing and balance at all times. This enables better control of the power tool in unexpected situations.**
- f) **Dress properly. Do not wear loose clothing or jewellery. Keep your hair, clothing and gloves away from moving parts. Loose clothes, jewellery or long hair can be caught in moving parts.**
- g) **If devices are provided for the connection of dust extraction and collection facilities, ensure these are connected and properly used. Use of these devices can reduce dust-related hazards.**

4) Power tool use and care

- a) **Do not force the power tool. Use the correct power tool for your application. The correct power tool will do the job better and safer at the rate for which it was designed.**
- b) **Do not use the power tool if the switch does not turn it on and off. Any power tool that cannot be controlled with the switch is dangerous and must be repaired.**
- c) **Disconnect the plug from the power source and/or the battery pack from the power tool before making any adjustments, changing accessories, or storing power tools. Such preventive safety measures reduce the risk of starting the power tool accidentally.**
- d) **Store idle power tools out of the reach of children and do not allow persons unfamiliar with the power tool or these instructions to operate the power tool. Power tools are dangerous in the hands of untrained users.**
- e) **Maintain power tools. Check for misalignment or binding of moving parts, breakage of parts and any other condition that may affect the power tool's operation. If damaged, have the power tool repaired before use. Many accidents are caused by poorly maintained power tools.**
- f) **Keep cutting tools sharp and clean. Properly maintained cutting tools with sharp cutting edges are less likely to bind and are easier to control.**

g) **Use the power tool, accessories and tool bits etc. in accordance with these instructions, taking into account the working conditions and the work to be performed. Use of the power tool for operations different from those intended could result in a hazardous situation.**

5) Service

a) **Have your power tool serviced by a qualified repair person using only identical replacement parts. This will ensure that the safety of the power tool is maintained.**

Additional safety instructions for your spray gun

- **Beware of high pressure at the nozzle and toxic sprays, it can cause severe skin damage. Never allow any part of the body to come in contact with the spray.**
- **Recommendation that the tool always be supplied via a residual current device with a rated residual current of 30mA or less.**
- **Do not use guns for spraying flammable materials.**
- **Do not clean guns with flammable solvents.**
- **Warning! Be aware of any hazard presented by the material being sprayed and consult the markings on the container or the information supplied by the manufacturer of the material to be sprayed.**
- **Do not spray any material where the hazard is not known.**
- **Use appropriate personal protective equipment, such as dust mask, protective clothing.**
- **Do not clean guns with flammable solvents.**

SYMBOLS



To reduce the risk of injury, user must read instruction manual



Wear eye protection



Wear ear protection



Wear dust mask



Warning: Do not direct the jet at persons, animals and electrical equipment.



Double insulation

Powerful Electric Painting Sprayer Gun K310

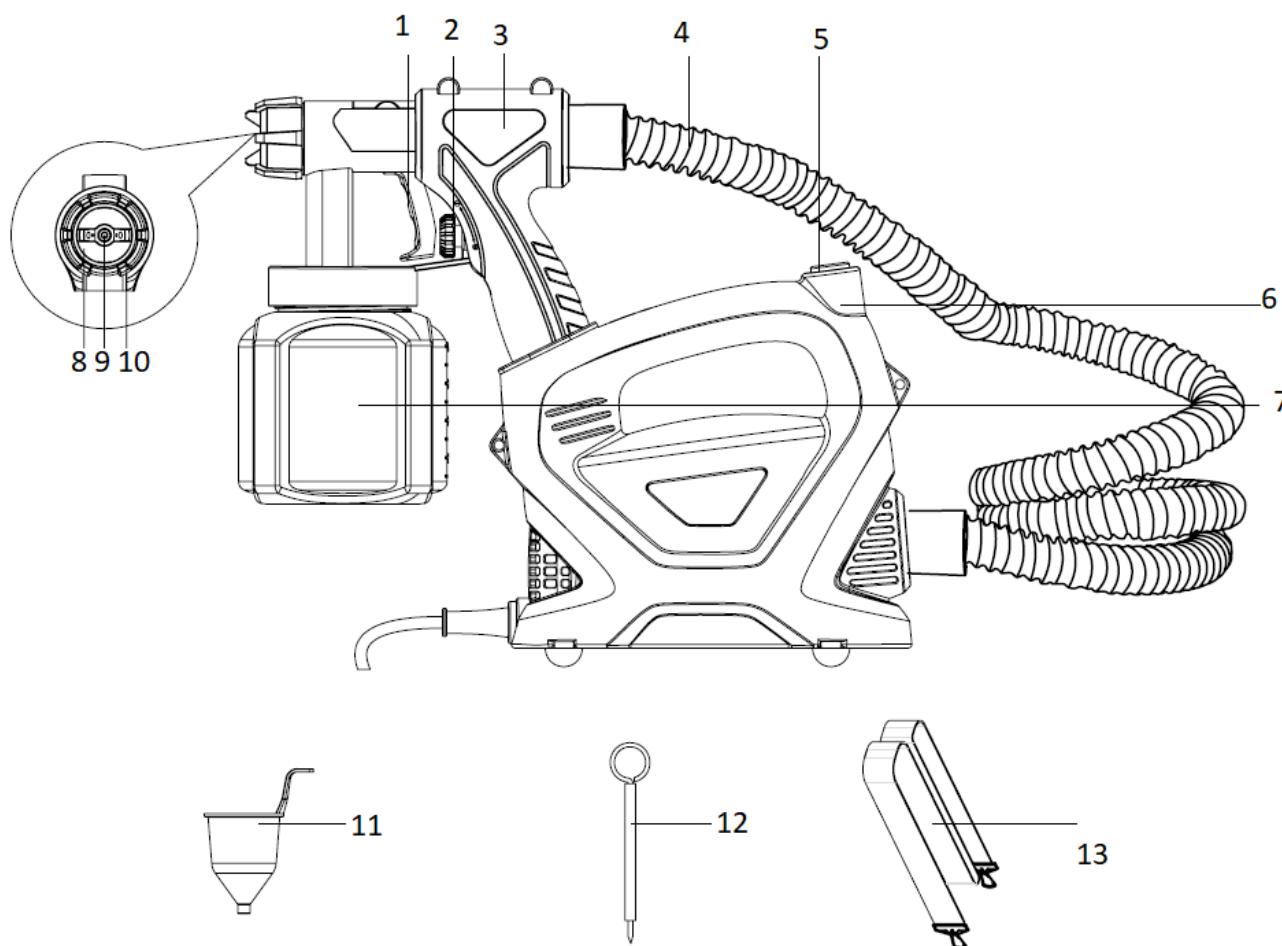
Please read and retain these instructions for future reference

Instructions for Use

v002: 02/11/22

COMPONENT LISTS

1. Trigger
2. Flow rate adjustment screw
3. Spray gun
4. Air hose
5. On / Off switch
6. Blower
7. Container
8. Air cap
9. Nozzle
10. Cap nut
11. Viscosity cup
12. Nozzle cleaning needle
13. Shoulder strap



Not all the accessories illustrated or described are included in standard delivery.

COOPERS
OF STORTFORD

UK Head Office, 11 Bridge Street, Bishop's Stortford, CM23 2JU

Tel: 0844 4824400*, Fax: 01279 756595

www.coopersofstortford.co.uk

EU address: D.S.B. LD, 160 Bd. de Fourmies, 59100 Roubaix, France

Tel: (+44) 1279 701269

*UK Calls cost around 7 pence per minute plus your telephone company's network access.

Please check with your telephone supplier.

OPERATION INSTRUCTION



NOTE: Before using the tool, read the instruction book carefully.

Intended Use

The spray gun is for spraying non-flammable and non-hazardous paints and varnishes suitable. The tool could not be used for spraying of flammable liquids. Do not use the tool for the food, pharmacy or other purposes that are not mentioned in the manual.

1. COATING MATERIALS

Solvent-based and water-based paints, finishes, primers, two-component paints, varnishes, automotive topcoats, stains and wood preservatives.

2. UNSUITABLE COATING MATERIALS

Wall colours (dispersion), etc., alkali and acidic paints.

3. PREPARING THE COATING MATERIAL

Measuring the viscosity using the viscosity cup. (See Fig. A)



COOPERS
OF STORTFORD

UK Head Office, 11 Bridge Street, Bishop's Stortford, CM23 2JU

Tel: 0844 4824400*, Fax: 01279 756595

www.coopersofstortford.co.uk

EU address: D.S.B. LD, 160 Bd. de Fourmies, 59100 Roubaix, France

Tel: (+44) 1279 701269

*UK Calls cost around 7 pence per minute plus your telephone company's network access.

Please check with your telephone supplier.

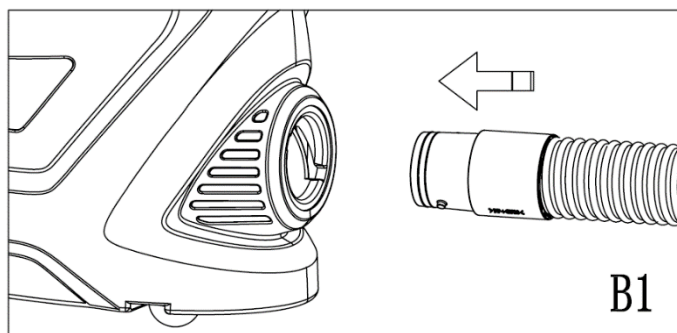
- 1) Stir coating material well before the start of the measurement.
- 2) Fill the viscosity cup with coating material (100 cm³).
- 3) Lift viscosity cup and measure the time in seconds, until the coating material finish dripping.
- 4) These are called run-DIN-seconds (DIN-s)

Note: When DINS are up to 70 or more than 70, the coating material can't be sprayed out anymore, but the motor of the paint gun will not automatically cut off.

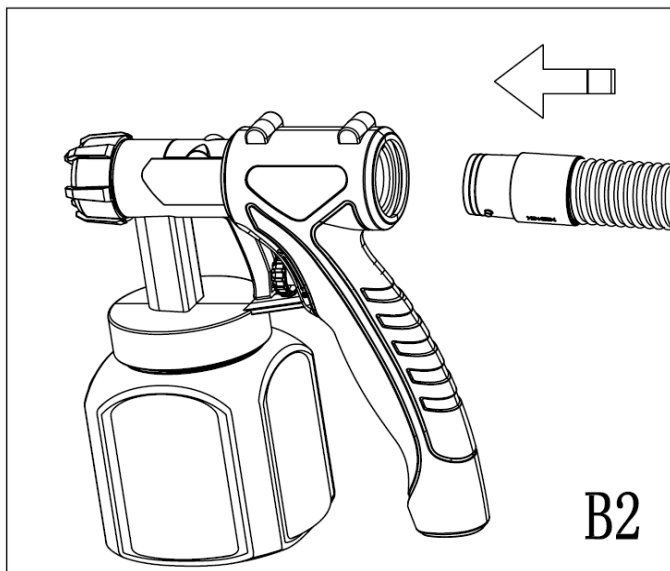
Coating material viscosity DIN-s	
Solvent-based paints	15-50
Primers	25-50
Pickling	undiluted
2 Combination paints	20-50
Varnishes	15-40
Waterborne paints	20-40
Automotive topcoats	20-40
Wood preservatives	undiluted

4. CONNECT THE AIR HOSE TO THE TOOL.

- 1) Firmly insert the air hose end to the guide at side of device. (See Fig. B1)



2) Firmly insert another side of air hose to the connector of gun side. (See Fig. B2)



5. ASSEMBLING THE RISER

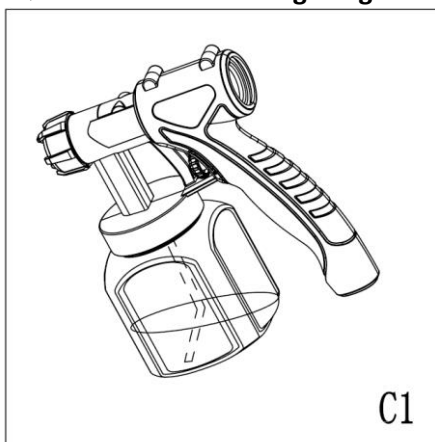
1) Unscrew the container of the spray gun.

2) Assemble the riser correctly according to different situation to reduce the liquid in the container as much as possible.

Spraying with underlying objects

- rotating riser forward. (SEE FIG. C1)

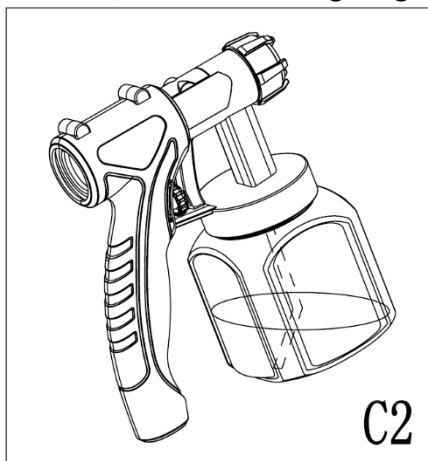
Note: Do not tilt it at a large angle.



Spray job with overhead objects

- rotating riser backwards. (SEE FIG. C2)

Note: Do not tilt it at a large angle.

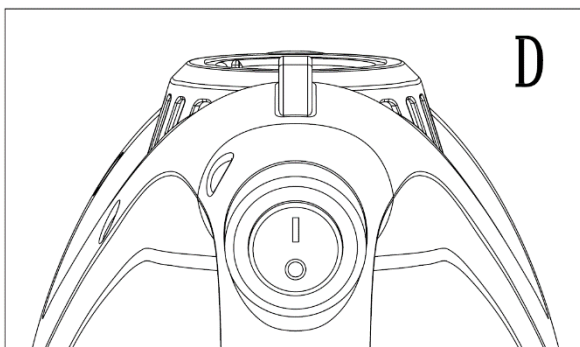


- 3) Place a piece of paper under the container. Pour the prepared coating material into the container.
- 4) Screw the container back into the spray gun and tighten it.

6. ON/OFF SWITCH (SEE FIG. D)

To start the tool, depress the protective cover over the switch indicated by the mark "I".

To stop the tool, depress the protective cover indicated by the mark "O".



7. TAKE THE SPRAY GUN OUT OF THE GUN HOLDER (SEE FIG. E)

This tool is equipped with 1.8m air hose. The spray gun can be taken out of the gun holder for convenience.

**COOPERS
OF STORTFORD**

UK Head Office, 11 Bridge Street, Bishop's Stortford, CM23 2JU

Tel: 0844 4824400*, Fax: 01279 756595

www.coopersofstortford.co.uk

EU address: D.S.B. LD, 160 Bd. de Fourmies, 59100 Roubaix, France

Tel: (+44) 1279 701269

*UK Calls cost around 7 pence per minute plus your telephone company's network access.

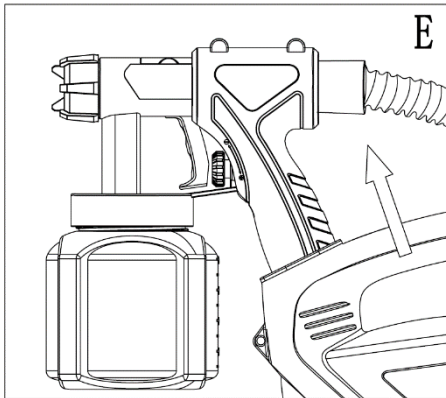
Please check with your telephone supplier.

Powerful Electric Painting Sprayer Gun K310

Please read and retain these instructions for future reference

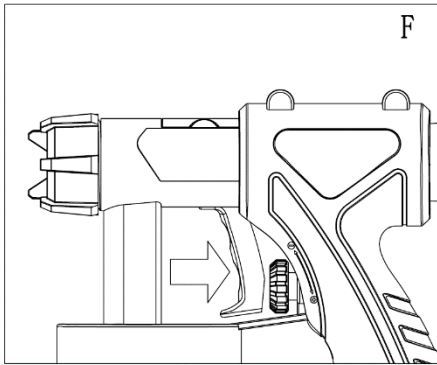
Instructions for Use

v002: 02/11/22



7. TRIGGER (SEE FIG. F)

Depress the trigger for spraying work.



COOPERS
OF STORTFORD

UK Head Office, 11 Bridge Street, Bishop's Stortford, CM23 2JU

Tel: 0844 4824400*, Fax: 01279 756595

www.coopersofstortford.co.uk

EU address: D.S.B. LD, 160 Bd. de Fourmies, 59100 Roubaix, France

Tel: (+44) 1279 701269

*UK Calls cost around 7 pence per minute plus your telephone company's network access.

Please check with your telephone supplier.

8. ADJUSTMENT OF THE SPRAY GUN

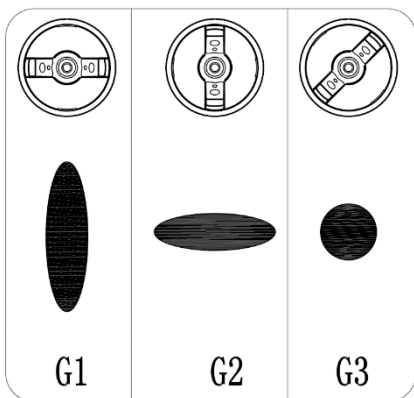
Selection spray patterns

- 1) Unscrew the cup nut.
- 2) Set the position of air cup to the desired situation.

horizontal position of air cup(SEE FIG. G1)=the spraying shape is vertical: for vertical surface.

vertical position of air cup (SEE FIG. G2)=the spraying shape is horizontal: for horizontal surface.

oblique position of air cup (SEE FIG. G3)=the spraying shape is circular: for corners, edges and others.



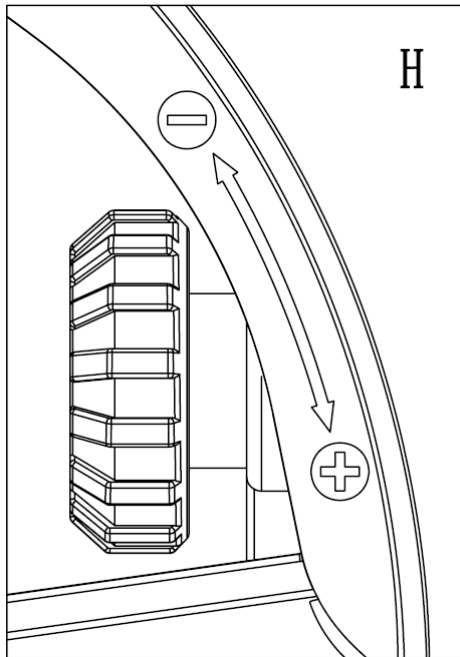
- 3) Screw the cup nut and tighten it.

WARNING: Never change the setting of the air cup when pulling the trigger.

Adjustment of the rate of flow (SEE FIG. H)

The material volume by turning the flow rate adjustment screw.

- + Rotate anticlockwise: reduce the rate of flow
- Rotate clockwise : increase the rate of flow

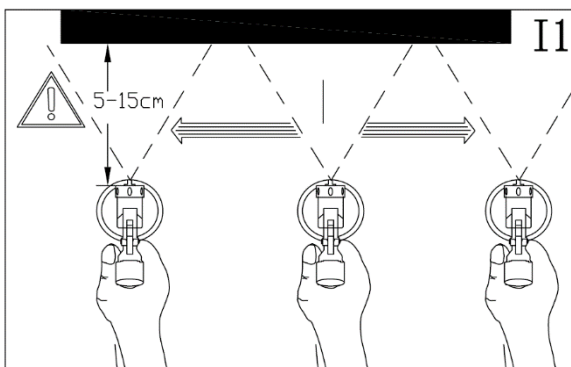


9. SPRAY TECHNOLOGY

- 1) The intended surface should be smooth and clean. The surface must be pre-treated and dust-free.
- 2) Surface not to be sprayed must be covered with tape and newspaper.
- 3) Screws etc need to be covered.
- 4) It is important to test on cardboard or a similar surface spray sample to find the right spray gun setting.

Correct directional length

Hold the spray gun at straight distance of about 5 -15 cm from the object being sprayed. (SEE FIG. I1)



COOPERS
OF STORTFORD

UK Head Office, 11 Bridge Street, Bishop's Stortford, CM23 2JU

Tel: 0844 4824400*, Fax: 01279 756595

www.coopersofstortford.co.uk

EU address: D.S.B. LD, 160 Bd. de Fourmies, 59100 Roubaix, France

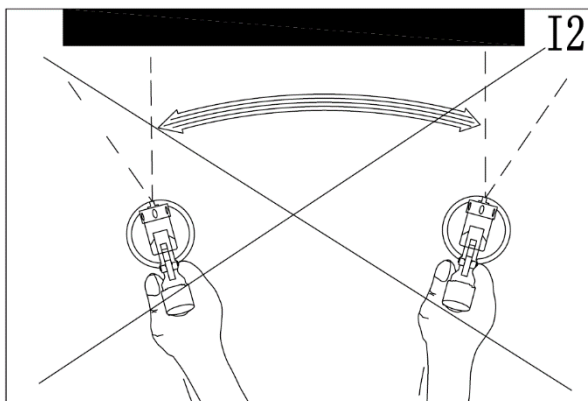
Tel: (+44) 1279 701269

*UK Calls cost around 7 pence per minute plus your telephone company's network access.

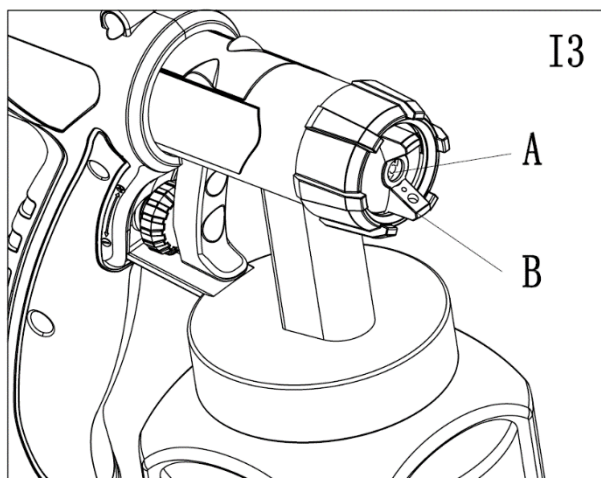
Please check with your telephone supplier.

Incorrect use

Overspray, unevenly even surface quality. (SEE FIG. I2)



Note: Cleanliness is necessary as coating material builds up on the nozzle and air cap A B. Clean both parts with solvents or water. (SEE FIG. I3)



COOPERS
OF STORTFORD

UK Head Office, 11 Bridge Street, Bishop's Stortford, CM23 2JU

Tel: 0844 4824400*, Fax: 01279 756595

www.coopersofstortford.co.uk

EU address: D.S.B. LD, 160 Bd. de Fourmies, 59100 Roubaix, France

Tel: (+44) 1279 701269

*UK Calls cost around 7 pence per minute plus your telephone company's network access.

Please check with your telephone supplier.

10. WORK STOPPAGES.

- 1) Switch off the device.
- 2) Return the spray gun to the spray gun holder.

CLEARANCE AND MAINTENANCE

Remove the plug from the socket before carrying out any adjustment, servicing or maintenance.

If the supply cord is damaged, a special cord or assembly available from the manufacturer or its service agent must replace it.

Always remember to disconnect the plug from the socket before cleaning the spray gun or paint tank, it is essential that the spray gun is cleaned thoroughly after every use. Failure to clean it will almost certainly result in blockages and it may not operate when you next come to use it.

- 1) Switch off the device. Press the trigger, so that the coating material in the spray gun passes back into the container.
- 2) Unscrew the container. Empty the remaining coating material.
- 3) Clean containers and tubing with brush.
- 4) Screw the container closed. Always keep container seal free of paint residue and check for damage.
- 5) Clean spray gun and container exterior with a cloth soaked in solvent and water cloth.

Note: Never clean the nozzle or air holes in the spray gun with sharp metal objects.

TROUBLESHOOTING

Problem	Cause	Remedy
No coating material coming out from Nozzle	Nozzle clogged	Clean
	Riser clogged	Clean
	Small holes on the riser pipe clogged	Clean
	Flow setting is at min level	Rotate the flow rate adjustment screw clockwise

**COOPERS
OF STORTFORD**

UK Head Office, 11 Bridge Street, Bishop's Stortford, CM23 2JU

Tel: 0844 4824400*, Fax: 01279 756595

www.coopersofstortford.co.uk

EU address: D.S.B. LD, 160 Bd. de Fourmies, 59100 Roubaix, France

Tel: (+44) 1279 701269

*UK Calls cost around 7 pence per minute plus your telephone company's network access.

Please check with your telephone supplier.

	Riser loose	Tighten the riser
	Container loose	Tighten the container
	The viscosity is too high	Dilution
Dropping coating material at nozzle	Nozzle loose	Tighten nozzle
	Worn nozzle	Replace
	Coating material accumulated at air cap and nozzle	Clean
Spray too thick	The viscosity is too high	Dilution
	Flow setting is at max level	Rotate the flow rate adjustment screw anticlockwise
	Too little pressure in the container	Tighten the container
Spray unstable	Litter coating material in container	Add more coating material
	The filter is too dirty	Clean or replace
Drip in spraying	Flow setting is at max level	Rotate the flow rate adjustment screw anticlockwise

PLUG WIRING (UK & IRELAND)

This appliance is fitted with a BS 1363 13-amp plug. This item is fitted with a 13amp fuse.

If you have to replace the fuse, only those that are ASTA or BSI approved to BS1362 should be used.

If there is a fuse cover fitted, this cover must be re-fitted after changing the fuse. If the fuse cover is lost or damaged the plug must not be used. Spare fuse holders and fuses are available from electrical outlets. If the socket outlets in your home or office are not suitable for this product's plug, the plug must be removed and disposed of safely. Attempts to insert the plug into the wrong socket is likely to cause electric hazard. A replacement plug should be wired according to the following instructions:

The cable

A mains electricity cable contains two or three inner wires. Each has a core of copper and an outer layer of flexible plastic. This product is double insulated; the wires in the plug are colour coded in the following way:

BLUE

NEUTRAL

COOPERS
OF STORTFORD

UK Head Office, 11 Bridge Street, Bishop's Stortford, CM23 2JU

Tel: 0844 4824400*, Fax: 01279 756595

www.coopersofstortford.co.uk

EU address: D.S.B. LD, 160 Bd. de Fourmies, 59100 Roubaix, France

Tel: (+44) 1279 701269

*UK Calls cost around 7 pence per minute plus your telephone company's network access.

Please check with your telephone supplier.

Powerful Electric Painting Sprayer Gun K310

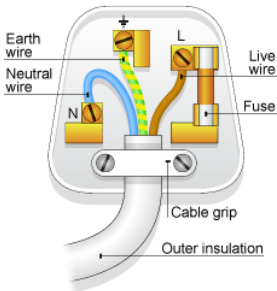
Instructions for Use

Please read and retain these instructions for future reference

v002: 02/11/22

BROWN LIVE
 GREEN & YELLOW EARTH

The diagram below shows the key features of a correctly wired three-pin mains plug.



Note:
 Double insulated appliances do not need the green & yellow Earth wire. They may only have the Brown and Blue wires.



CARE AND CLEANING INSTRUCTIONS

- Always switch off and unplug before cleaning.
- Do NOT immerse in water. Risk of electric shock.
- Do NOT use abrasive cleaners or sharp utensils to clean this appliance.
- Wipe surfaces with a soft dry cloth.
- Allow to dry thoroughly before further use.
- Store the appliance in a cool, dry place.

DISPOSAL

- Coopers of Stortford use recyclable or recycled packaging where possible.
- Please dispose of all packaging, paper, cartons, packaging in accordance with your local recycling regulations.
- Plastics, polybags – this is made from the following recyclable plastic.



Code & Symbol	 PP	 OTHER
Type of Plastic	Polypropylene	ABS, Nylon
Commonly used for	Microwaveable food containers, yoghurt pots, butter tubs, disposable plates and cups	CD's, crisp packets, various flexible packaging, baby bottles, sunglass lenses
Notes	Commonly recycled and collected from household recycling bins (packaging tape itself not recyclable but does not interfere with cardboard)	Not often or widely recycled

- At the end of the product's lifespan please check with your local council authorised household waste recycling centre for disposal.



COOPERS OF STORTFORD

UK Head Office, 11 Bridge Street, Bishop's Stortford, CM23 2JU

Tel: 0844 4824400*, Fax: 01279 756595

www.coopersofstortford.co.uk

EU address: D.S.B. LD, 160 Bd. de Fourmies, 59100 Roubaix, France

Tel: (+44) 1279 701269

*UK Calls cost around 7 pence per minute plus your telephone company's network access.

Please check with your telephone supplier.

EU DECLARATION OF CONFORMITY

Coopers of Stortford hereby declare under our sole responsibility, that the product named below has been designed to comply with all relevant sections of the below referenced standards and directives: -

Description & item Number: Powerful Electric Painting Sprayer Gun
Model No: K310 (MJ2012-05B)

Conforms to the following: -

- Machinery Directive 2006/42/EC & Supply of Machinery (Safety) Regulations 2008 Standards:
- Low Voltage Directive 2014/35/EU & The Electrical Equipment (Safety) Regulations 2016 Standards:
- EMC Directive 2014/30/EU & Electromagnetic Compatibility Regulations 2016 Standards:
- Noise Directive 2000/14/EC & 2005/88/EC
- RoHS Directive 2011/65/EU & 2015/863/EU & Restriction of hazardous substances (RoHS) Regulations.

The Test reports for this item are available from:

Coopers of Stortford, 11 Bridge Street, Bishop's Stortford, Hertfordshire, CM23 2JU



**COOPERS
OF STORTFORD**

UK Head Office, 11 Bridge Street, Bishop's Stortford, CM23 2JU

Tel: 0844 4824400*, Fax: 01279 756595

www.coopersofstortford.co.uk

EU address: D.S.B. LD, 160 Bd. de Fourmies, 59100 Roubaix, France

Tel: (+44) 1279 701269

*UK Calls cost around 7 pence per minute plus your telephone company's network access.

Please check with your telephone supplier.