

# Seated Walking Stick with Torch

K410

v001: 01/10/21

Please read and retain these instructions for future reference

vivadia▶



## Product dimensions

23.4 x 23 x 87-97cm (adjustable)

## Material

ABS, TPR, Aluminium

Batteries required: 2x AA (not included)

- TRIPOD WITH LIGHT ALUMINUM ALLOY POLES
- LIGHTWIGHT (0.99kgs)
- MOULDED SEAT FOR COMFORT
- TORCH IN HANDLE SO YOU CAN USE IT DAY AND NIGHT
- SEAT HEIGHT 48CM-56CM  
23CM SEAT WIDTH  
4 HEIGHTS

**MAX LOAD:100KGS**

**Suitable for use as a walking cane and stool.**

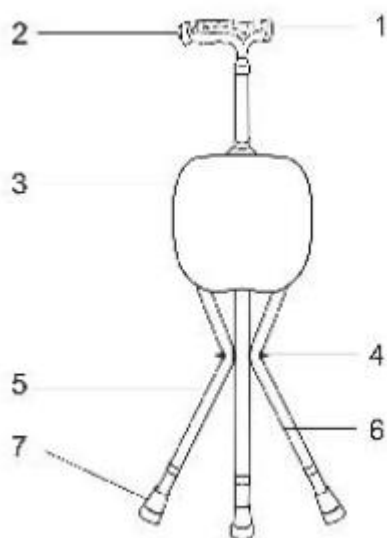
## ASSEMBLY INSTRUCTIONS / INSTRUCTIONS FOR USE:

Unpack the components carefully. Please check all parts have been removed from the packaging.

## Safety and Care Instructions

1. CAUTION: Danger of suffocation! Keep the packaging material away from children and animals.
2. Never look directly into the beam of the LED light and never point the beam at other people or animals.
1. Batteries can be deadly if swallowed. Keep batteries out of reach of children and animals. If a battery is swallowed, immediately seek medical help.
2. Before inserting the batteries, check if the contacts on the lamp and on the batteries are clean. If necessary, clean them.
3. Use only the battery type specified in the technical data.
3. Always replace the batteries at the same time. Do not use batteries of different types or brands, or with different capacities. When replacing the batteries, observe the correct polarities.
4. Take the batteries out of the lamp when they are discharged or if the product is not being used.
4. Should a battery have leaked, do not let your skin, eyes, and mucous membranes come into contact with the battery acid. If you touch battery acid, rinse the affected areas with abundant fresh water right away and contact a doctor as soon as possible. Remove a leaking battery from the product immediately.
5. Clean the contacts before inserting a new battery.
6. The batteries should not be recharged or re-activated by other means, dismantled, thrown into a fire, immersed in fluids, or short-circuited.
5. Maintain a sufficient distance from sources of heat such as hobs, ovens, fireplaces or lit candles.
6. Do not drop the product or allow it to be knocked violently.
7. Do not expose the product to extreme temperatures, strong temperature fluctuations, direct sunlight or moisture.
8. If the product is dirty, wipe it with a damp cloth. Do not use any corrosive or abrasive cleaning agents to clean the product. They could damage the surface.
7. If the product is broken, do not attempt to repair it yourself.
8. The foot of the cane may need periodic checking and tightening.

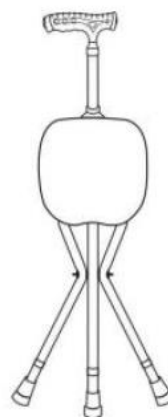
## Parts



1. LED lamp
2. Battery cover
3. Seat
4. Stent buckle
5. Frame tube
6. Height adjustment button
7. Rubber base

## User Instructions

- The cane is assembled. Adjust to appropriate height before using it.
- To adjust the height, press down the button of the bottom 3 tubes of the walking cane, pull or push the button to one of the 5 heights you want and let the catch lock back into the corresponding hole **(IMPORTANT: ALL 3 POLE BUTTONS SHOULD ALL BE IN THE SAME HOLE POSITION)**.
- To turn on the LED lamp, press the on/off button once.
- To turn off the LED lamp, press the on/off button again.



## Insert/ Change Batteries

1. Unscrew the tail part of the LED lamp and then open the battery compartment.
2. Remove the depleted batteries and dispose of them in an environmentally safe manner.
3. Screw the tail part of the LED lamp back on to the battery compartment.
4. Insert 2 new fully charged batteries (AA type) into the handle by following the right polarities.
5. Screw the tail part of the LED lamp back on to the battery compartment.


## BATTERIES

- Keep batteries away from children and pets.
- Do not mix used and new batteries.
- Remove the batteries if left for long periods.
- Never dispose of batteries in a fire.
- Battery disposal, spent or expired batteries must be properly disposed of and recycled in compliance with local regulations. For detailed information, contact your local authority.
- Follow the battery manufacturer's safety, usage, and disposal instructions.

## DISPOSAL

- Coopers of Stortford use recyclable or recycled packaging where possible.
- Please dispose of all packaging, paper, cartons, packaging in accordance with your local recycling regulations.
- Plastics, polybags – this is made from the following recyclable plastic.



Code & Symbol	 OTHER
Type of Plastic	Please Specify (includes ABS, Nylon)
Commonly used for	CD's, crisp packets, various flexible packaging, baby bottles, sunglass lenses
Notes	Not often or widely recycled

- At the end of the product's lifespan please check with your local council authorised household waste recycling centre for disposal.

