

3 Piece Compact Dining Set

Item No: M108

Instructions for Use

v001: 12/10/23



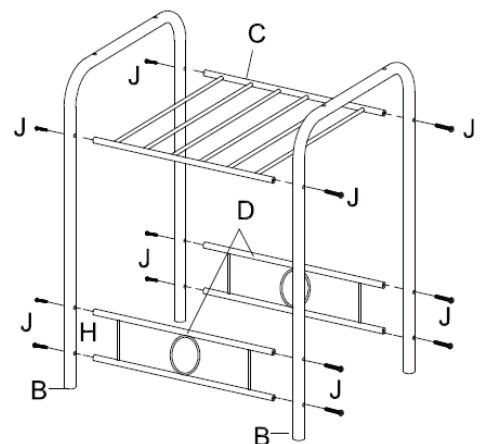
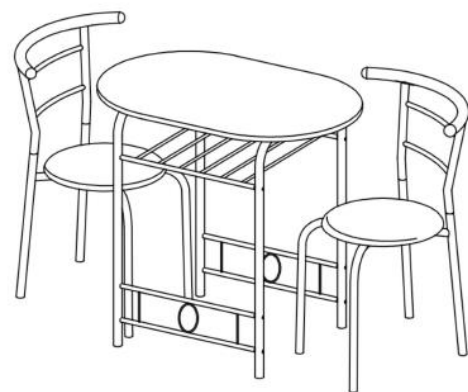
Assembly Instructions/ Instructions for Use:

DO NOT FULLY TIGHTEN SCREWS UNTIL COMPLETELY ASSEMBLED

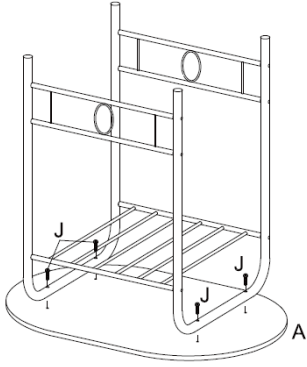
Pieces list/ Key:

A		1PC	B		2PCS
C		1PC	D		2PCS
E		2PCS	F		2PCS
G		2PCS	H		2PCS
I		2PCS	J		16PCS
K		10PCS	L		16PCS
M		2PCS	N		1PC
O		1PC			

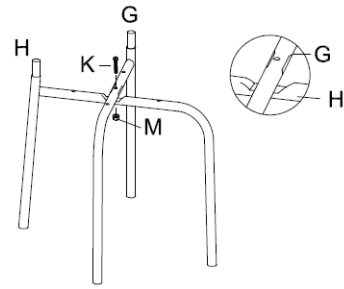
1



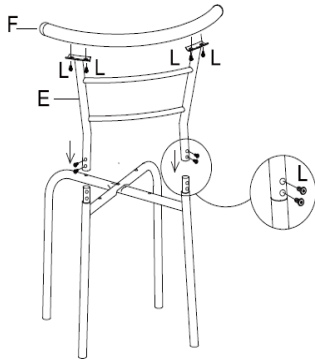
2



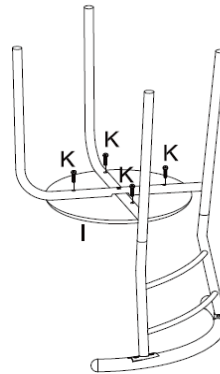
3



4



5



CARE AND CLEANING INSTRUCTIONS:

- Do NOT use abrasive cleaners or sharp utensils to clean this product.
- Store the item in a cool, dry place.
- Wipe with a clean dry cloth.

DISPOSAL

- Coopers of Stortford use recyclable or recycled packaging where possible.
- Please dispose of all packaging, paper, cartons in accordance with your local authority recycling regulations.
- At the end of the product's lifespan please check with your local council authorised household waste recycling centre for disposal.



CUSTOMER SERVICES:

Distributed by / Verteilt durch / Distribué par.

UK: The Enterprise Department Ltd.
 11 Bridge Street, Bishops Stortford, Herts, UK, CM23 2JU
 Tel: 0330 331 0300

NI/EU:
 D.S.B. LD, 160 Bd. de Fourmies, 59100 Roubaix, France
 Tel: (+44) 1279 701269