

LUXURY LUMBAR SUPPORT LOUNGER CHAIR

Item codes: M313

Instructions for Use

v001: 19/12/23

Please read and retain these instructions for future reference

GAINSBOROUGH
Garden & Wildlife

Dimensions:

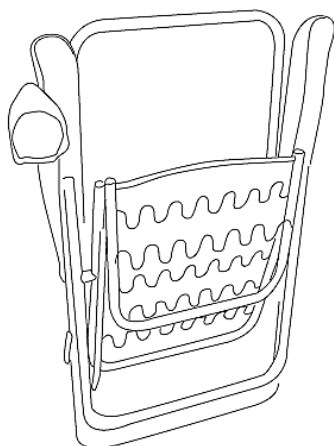
59cm x83cm x107cm

Max weight load: 110kg

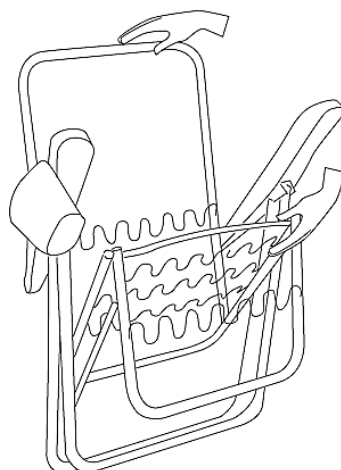
- 5 reclining positions
- Ultra-thick & comfortable foam padded cushion with built in headrest
- Cup holder
- Folds flat for easy storage
- Contrast piping
- Straps to secure the padded cushions to the chair



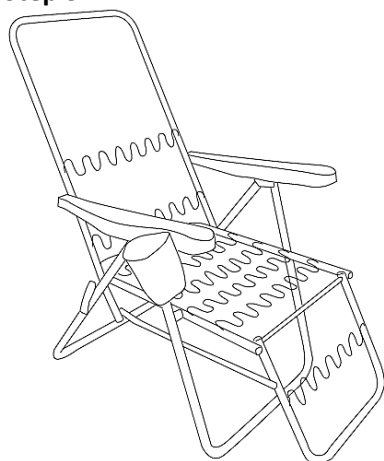
Step 1



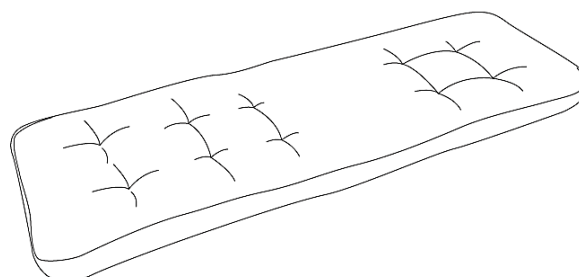
Step 2

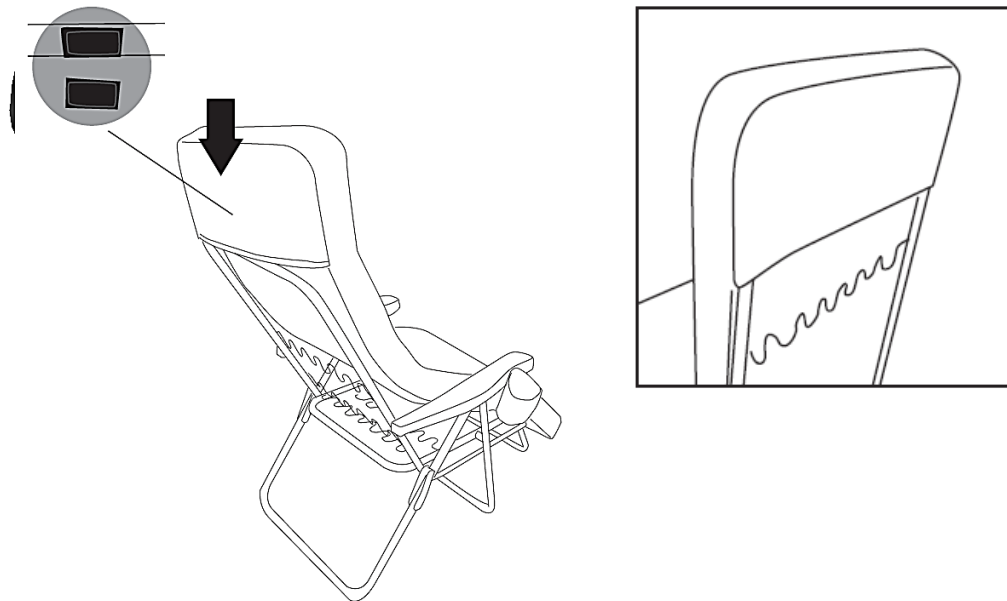


Step 3



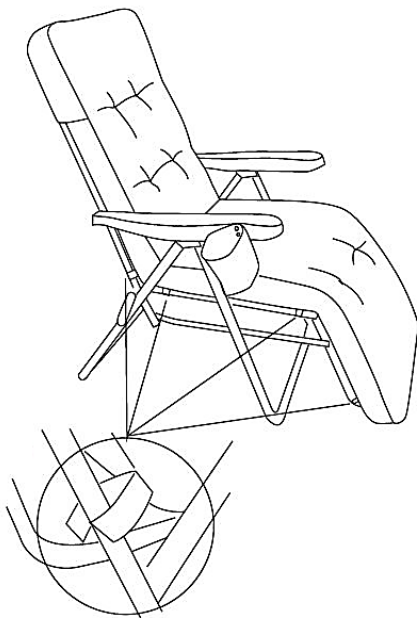
Step 4





Step 4

Head rest attaches to chair with hook & loop fastening. The cushion must be fitted the correct way up with the padded memory foam head rest at the top.



Step 5

Cushion is attached to chair with hook & loop fastening where indicated.

CARE & MAINTENANCE

- Please take care when opening or folding to avoid finger entrapment.
- Please protect from adverse weather.
- Store in a dry clean environment.

DISPOSAL

- Dispose of all packaging, paper, cartons, plastic and plastic bags in accordance with your local recycling regulations.
- At the end of the product's lifespan please dispose of it at an authorised household waste recycling centre.

CUSTOMER SERVICES:

Distributed by / Verteilt durch / Distribué par.

UK: The Enterprise Department Ltd.

11 Bridge Street, Bishops Stortford, Herts, UK, CM23 2JU

Tel: 0330 331 0300

NI/EU:

D.S.B. LD, 160 Bd. de Fourmies, 59100 Roubaix, France

Tel: (+44) 1279 701269