

OAK LOOK STORAGE SIDE TABLE

Item No: P181

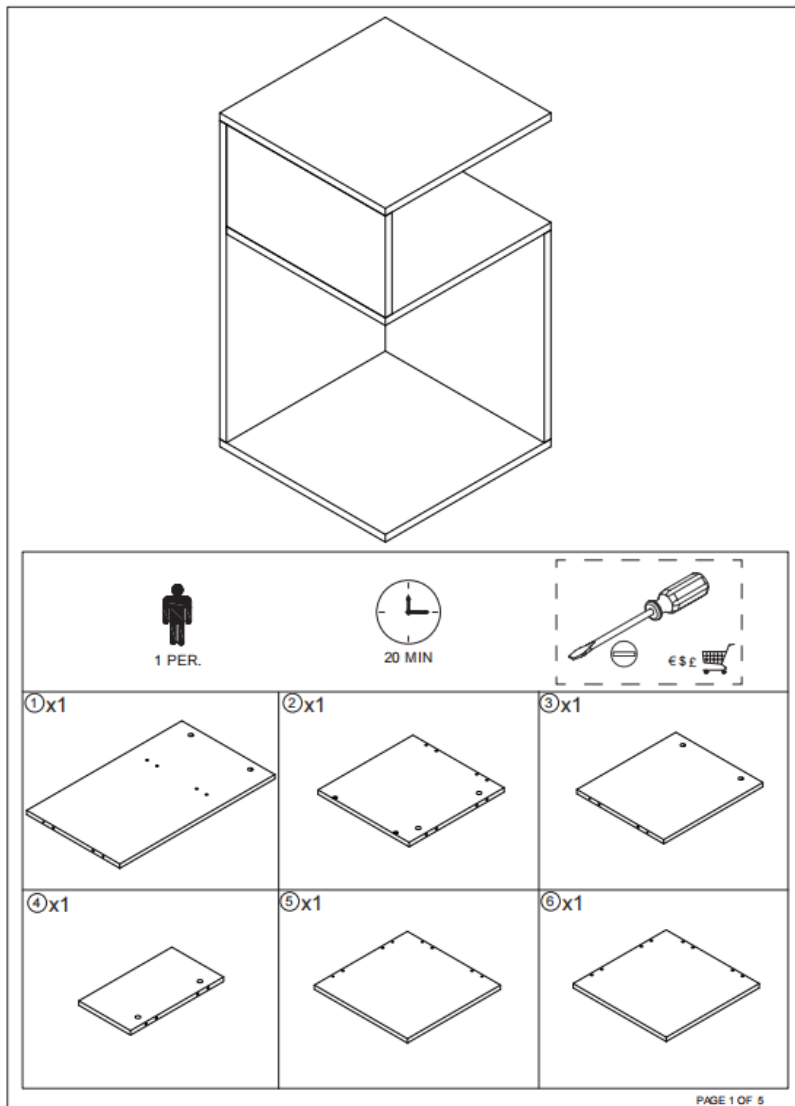
Instructions for Use v001: 07/08/24

Please read and retain these instructions for future reference



INSTRUCTIONS FOR USE:

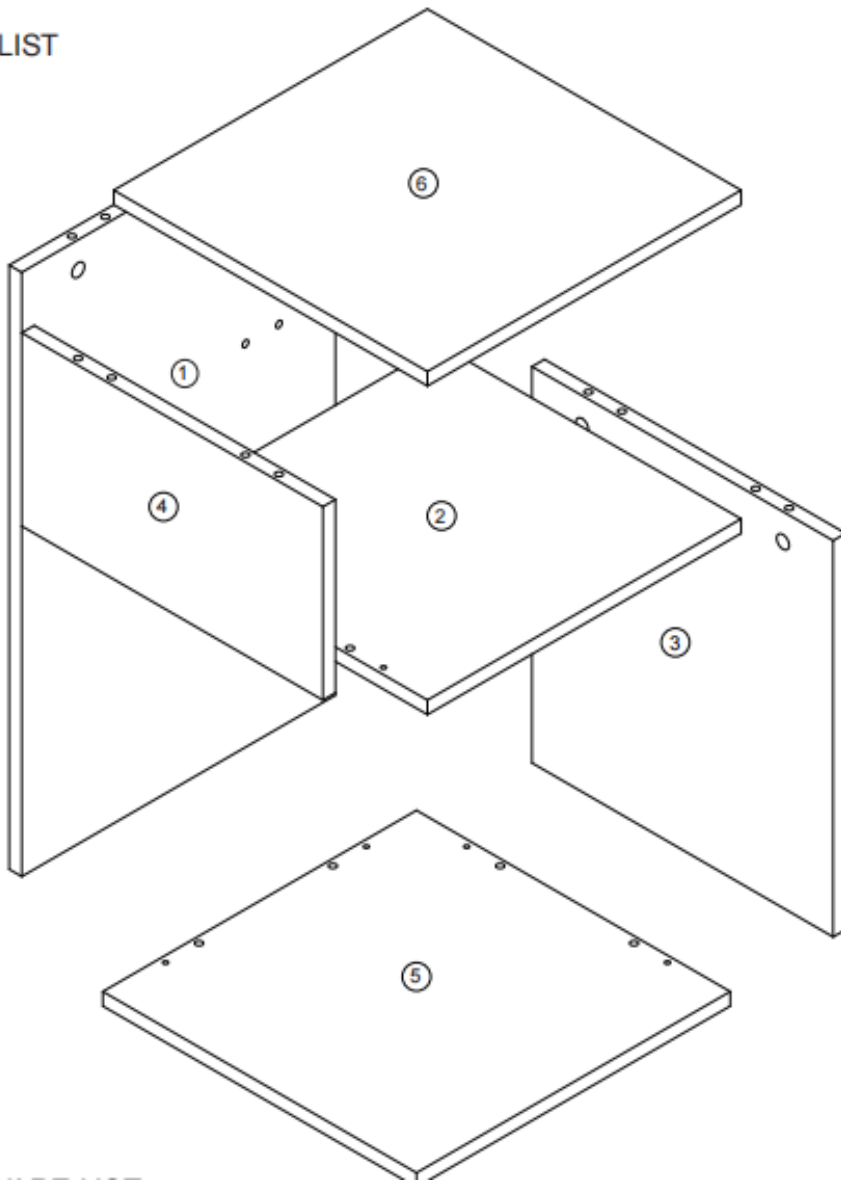
Step by Step Instructions & Photos



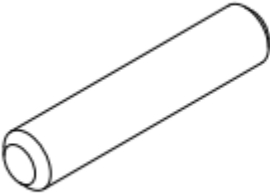
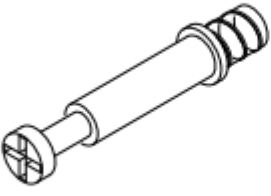
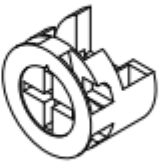

Main plate: 1-6

screwdriver

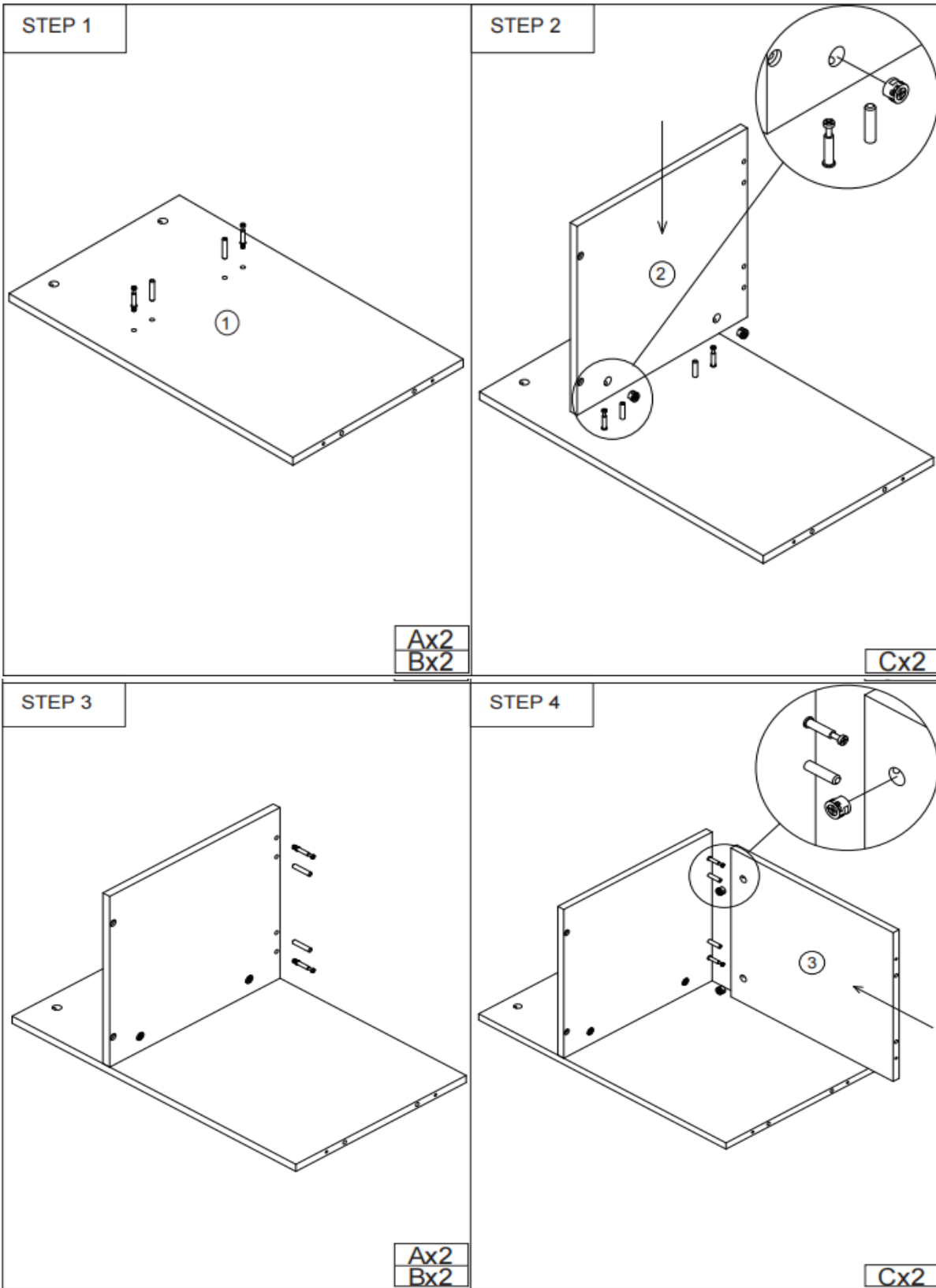
PART LIST



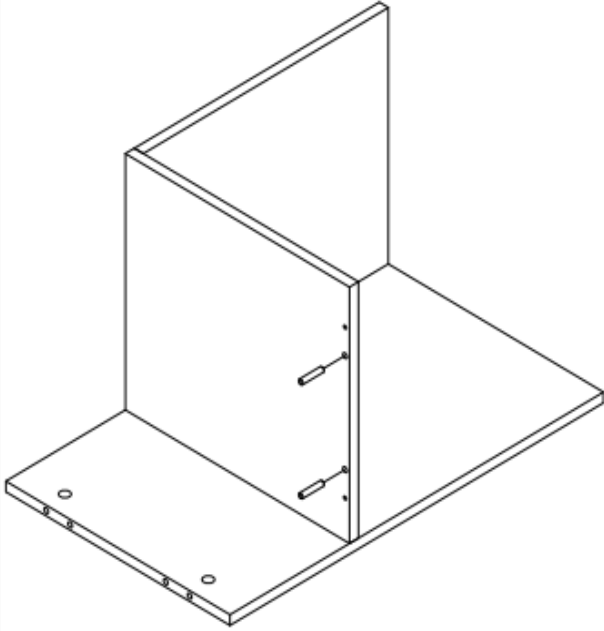
HARDWARE LIST

Ax14 	Bx8 	Cx8 	Dx6 
--	---	--	---

Step by Step Instructions

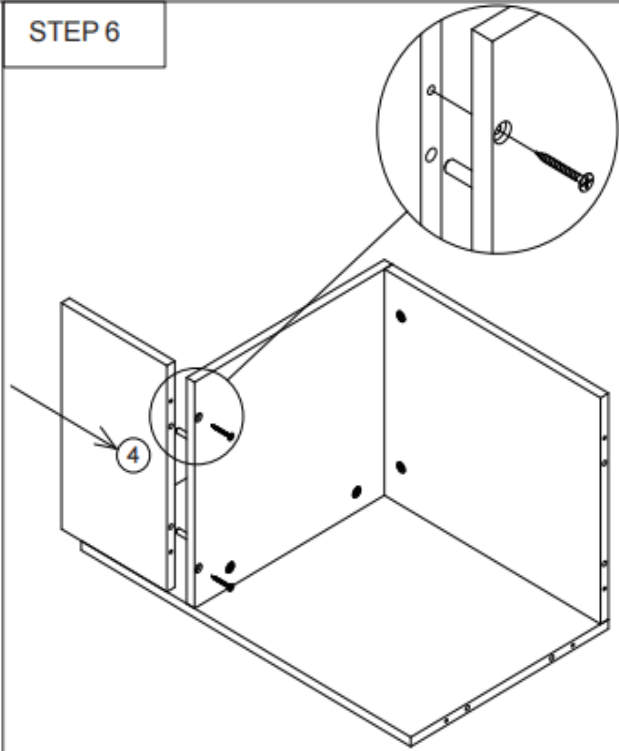


STEP 5



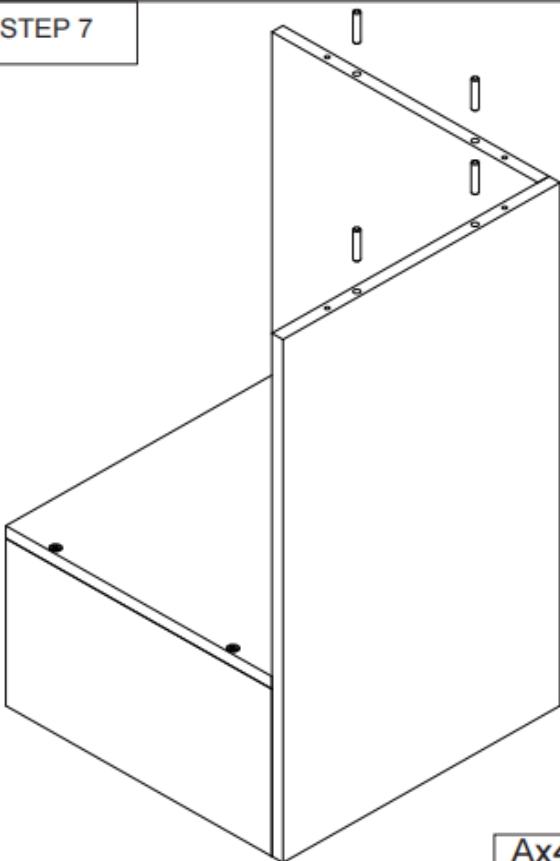
Ax2

STEP 6



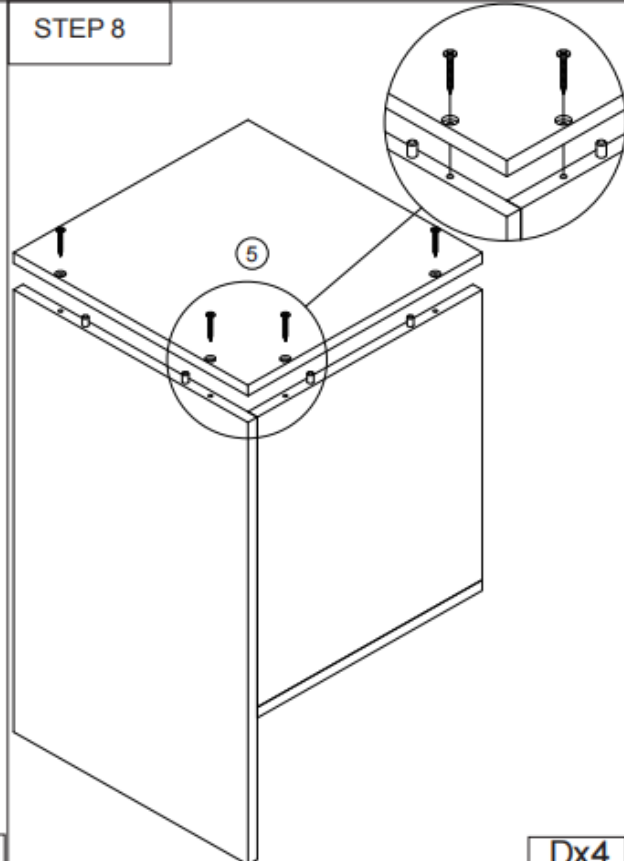
Dx2

STEP 7

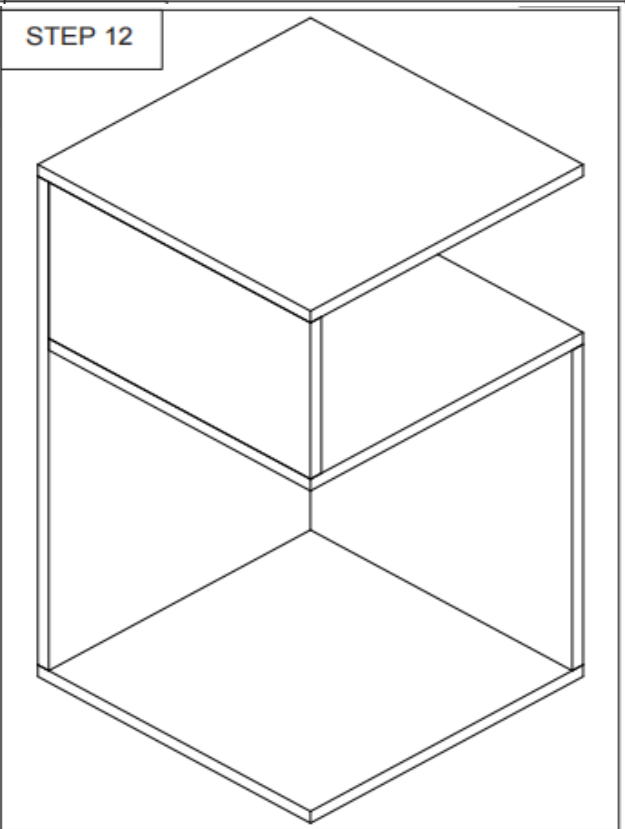
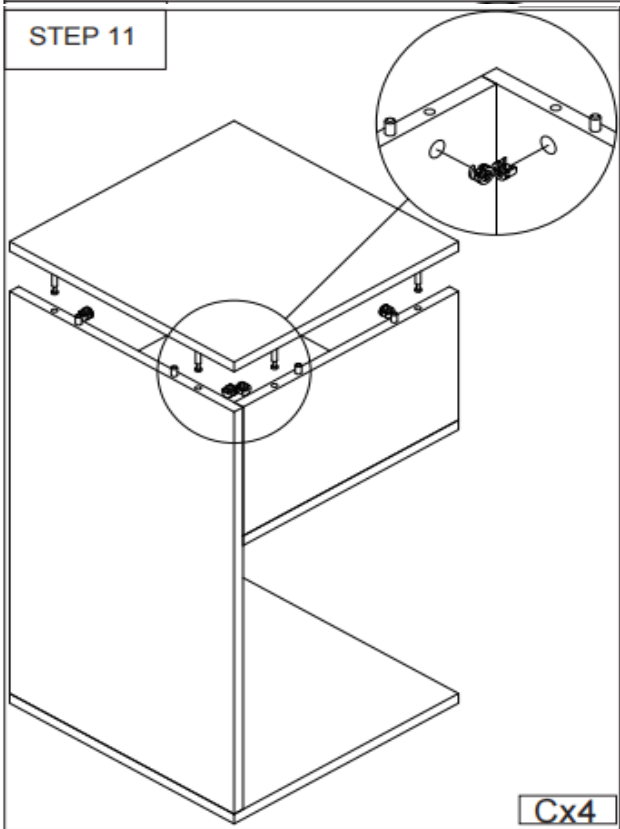
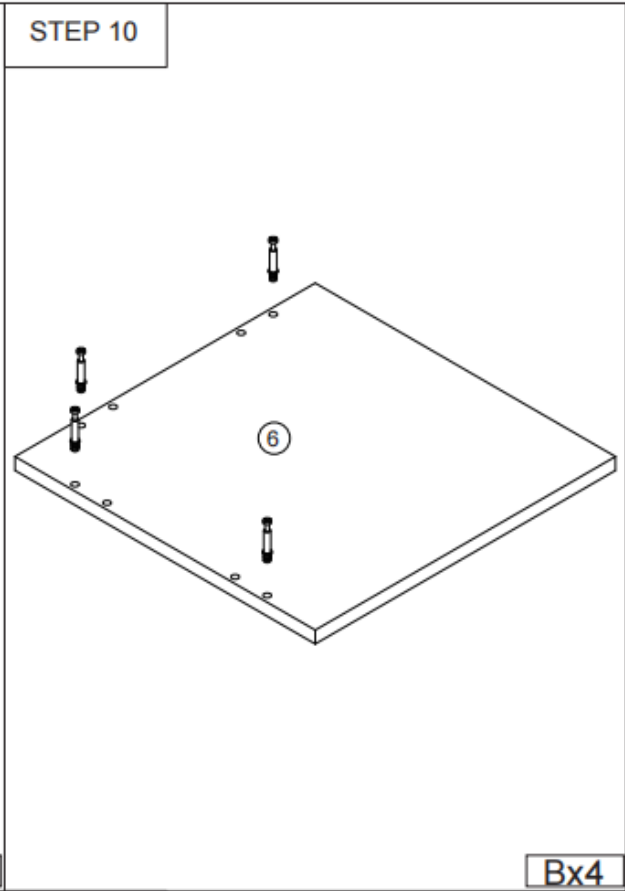
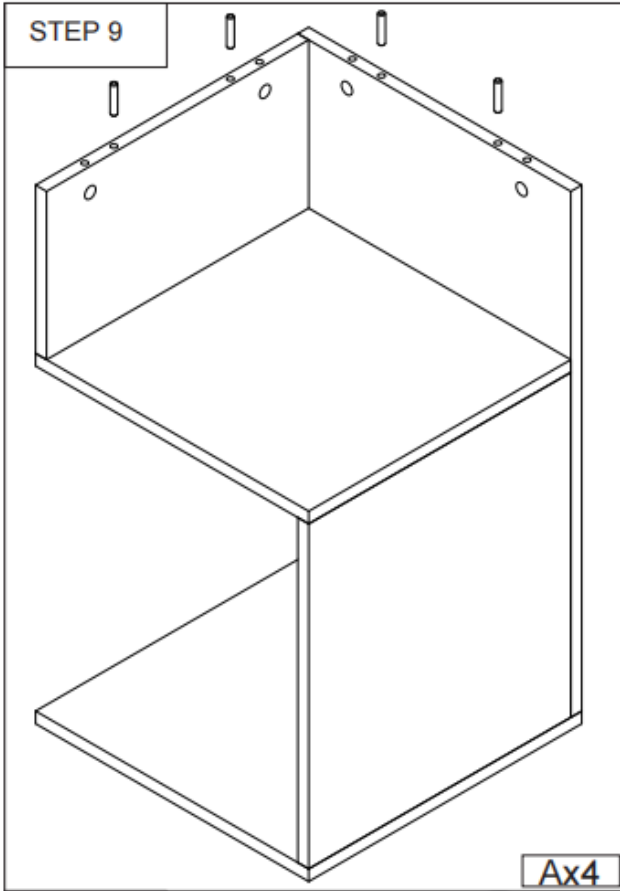


Ax4

STEP 8



Dx4



A total of 1-12 steps, according to the schematic assembly.

CARE AND CLEANING INSTRUCTIONS:

- Do NOT use abrasive cleaners or sharp utensils to clean this product.
- Store the item in a cool, dry place.
- Wipe with a clean dry cloth.

DISPOSAL

- Coopers of Stortford use recyclable or recycled packaging where possible.
- Please dispose of all packaging, paper, cartons in accordance with your local authority recycling regulations.
- At the end of the product's lifespan please check with your local council authorised household waste recycling centre for disposal.



- At the end of the product's lifespan please check with your local council authorised household waste recycling centre for disposal.

Distributed by / Verteilt durch / Distribué par.

UK:

The Enterprise Department Ltd.
11 Bridge Street, Bishops Stortford
Herts, UK, CM23 2JU
Tel: 0330 331 0300

NI/EU:

D.S.B. LD, 160 Bd. de Fourmies, 59100 Roubaix, France
Tel: (+44) 1279 701269

DE/FR/CZ/SK:

hergestellt für 3Pagen
Sankt-Joeris-Strasse 16-28
52477 Alsdorf
Tel: +49(0)2404/980-204