

# Deep Fill Pie Maker Instructions for Use

P605

v002: 31/10/25

Please read and retain these instructions for future reference

**Basilico** 



**Power Details:** Voltage details: 220-240V~  
Frequency details: 50Hz-60Hz  
Wattage details: 1200 W

**Accessories:** one pastry cutter

Please read this instruction manual thoroughly before starting and ensure you are familiar with the operation of your new pie maker.



**Caution**  
Hot surface

**CAUTION! THIS ELECTRICAL APPLIANCE'S EXTERNAL SURFACES WILL GET HOT IN NORMAL USE. ALLOW TO COOL BEFORE TOUCHING THE EXTERNAL SURFACES.**

## **WARNINGS AND SAFETY INSTRUCTIONS:**

WHEN USING ELECTRICAL APPLIANCES, BASIC SAFETY PRECAUTIONS SHOULD ALWAYS BE FOLLOWED:

- READ ALL INSTRUCTIONS BEFORE USE.
- FOR DOMESTIC INDOOR USE ONLY.
- DO NOT USE OUTDOORS OR FOR COMMERCIAL USE.
- ONLY USE WITH THE MAINS ADAPTOR/CHARGER SUPPLIED.
- **DO NOT** USE ANY OTHER MAINS ADAPTOR/CHARGER AS THIS MAY CAUSE DAMAGE AND INVALIDATES ANY WARRANTY YOU MAY HAVE.
- THIS APPLIANCE IS NOT INTENDED TO BE OPERATED BY MEANS OF AN EXTERNAL TIMER OR SEPARATE REMOTE CONTROL SYSTEM.
- BEFORE USE, CHECK THOROUGHLY FOR ANY DEFECTS AND DO NOT USE IF DEFECTS ARE FOUND. TAKE CARE NOT TO DROP THE APPLIANCE AS HEAVY IMPACTS MAY CAUSE INTERNAL DAMAGE.
- BEFORE CONNECTING THE APPLIANCE, CHECK IF THE VOLTAGE INDICATED ON THE BOTTOM OF THE APPLIANCE IS IN ACCORDANCE WITH THE MAINS VOLTAGE IN YOUR HOME.
- CHECK THE APPLIANCE AND POWER CABLE CAREFULLY FOR DAMAGE BEFORE EACH USE. DO NOT USE THE APPLIANCE WITH A DAMAGED CORD OR PLUG OR IF THE APPLIANCE HAS MALFUNCTIONED OR HAS BEEN DAMAGED IN ANY MANNER.
- NEVER MOVE OR UNPLUG THE APPLIANCE BY PULLING THE CORD.
- MAKE SURE THE CORD CANNOT BECOME ENTANGLED.
- DO NOT WIND THE CORD AROUND THE APPLIANCE AND DO NOT BEND THE CORD.
- MAKE SURE THE CORD DOES NOT TOUCH THE UNIT WHILE IN USE.
- THIS APPLIANCE CAN BE USED BY CHILDREN AGED FROM 8 YEARS AND ABOVE, AND PERSONS WITH REDUCED PHYSICAL, SENSORY OR MENTAL CAPABILITIES OR LACK OF EXPERIENCE AND KNOWLEDGE IF THEY HAVE BEEN GIVEN SUPERVISION OR INSTRUCTION CONCERNING USE OF THE APPLIANCE IN A SAFE WAY AND UNDERSTAND THE HAZARDS INVOLVED. CHILDREN SHALL NOT PLAY WITH THE APPLIANCE. CLEANING AND USER MAINTENANCE SHALL NOT BE MADE BY CHILDREN WITHOUT SUPERVISION.
- CHILDREN OF LESS THAN 3 YEARS SHOULD BE KEPT AWAY UNLESS CONTINUOUSLY SUPERVISED.
- CHOOSE A STORAGE PLACE FOR THE APPLIANCE WHERE CHILDREN ARE NOT ABLE TO GRAB IT.
- **SOME PARTS OF THIS PRODUCT CAN BECOME VERY HOT AND CAUSE BURNS. PARTICULAR ATTENTION HAS TO BE GIVEN WHERE CHILDREN AND VULNERABLE PEOPLE ARE PRESENT. DO NOT TOUCH HOT SURFACES AND ALWAYS USE THE HANDLE OR KNOBS.**
- THE USE OF ANY ACCESSORY OR ATTACHMENTS NOT RECOMMENDED BY COOPERS OF STORTFORD MAY CAUSE INJURIES AND INVALIDATE ANY WARRANTY YOU MAY HAVE.
- DO NOT LET THE POWER CABLE HANG OVER THE EDGE OF A TABLE OR COUNTER, OR TOUCH HOT SURFACES.
- DO NOT PLACE ON OR NEAR HEAT SOURCES.
- USE ON A LEVEL, STABLE SURFACE.
- DO NOT COVER THE ITEM IN ANY WAY WHEN IN USE AS THIS MAY CAUSE OVERHEATING.
- DO NOT USE THIS APPLIANCE FOR ANY OTHER USE THAN THE INTENDED USE IT IS DESIGNED FOR.
- ENSURE THERE IS SUFFICIENT DISTANCE BETWEEN THIS APPLIANCE AND OTHER ITEMS ON THE WORK SURFACE OR WORK STATION, OR SUFFICIENT DISTANCE BETWEEN THE APPLIANCE AND THE CONFINES OF THE AREA IN WHICH IT IS SITUATED. WE RECOMMEND A MINIMUM CLEARANCE AROUND ALL FACES OF AT LEAST 10CM.
- DO NOT USE THE APPLIANCE NEAR DIRECT HEAT SOURCES.
- DO NOT PLACE UNDER OR NEAR FLAMMABLE MATERIALS SUCH AS CURTAINS, DRAPERIES, SHELVES, LOOSE WALL PAPER, ETC. – FOR OVENS / HEATERS / CHIP PANS / DEHUMIDIFIERS / ETC.
- KEEP ITEM AT LEAST 1M AWAY FROM COMBUSTIBLE MATERIAL SUCH AS FURNITURE, CUSHIONS, BEDDING, PAPER, CLOTHES, CURTAINS ETC.

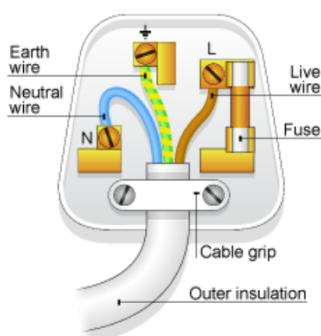
- ALLOW THE ITEM TO COOL THOROUGHLY BEFORE PUTTING ON OR TAKING OFF PARTS. – FOR OVENS / HEATERS / WATER BOILERS / ANY ITEM WITH HEATING ELEMENTS.
- DO NOT PLACE THIS ITEM IMMEDIATELY BELOW A SOCKET-OUTLET. (For heaters and Ovens and Dehumidifiers)
- TO PROTECT AGAINST ELECTRIC SHOCK, DO NOT IMMERSE POWER CABLE, MAINS ADAPTOR/ CHARGER OR APPLIANCE, IN WATER OR ANY OTHER LIQUID.
- UNPLUG FROM OUTLET WHEN NOT IN USE AND BEFORE CLEANING.
- DO NOT OPERATE ANY APPLIANCE WITH A DAMAGED POWER CABLE OR MAINS ADAPTOR/ CHARGER OR AFTER THE APPLIANCE MALFUNCTIONS OR HAS BEEN DAMAGED IN ANY MANNER. WE RECOMMEND THAT THE POWER CABLE IS NOT KINKED OR STORED IN A TWISTED MANNER, AND THAT YOU REGULARLY CHECK ITS CONDITION.
- DO NOT LEAVE UNATTENDED.
- ALWAYS SWITCH OFF AND UNPLUG AFTER COOKING OR IF YOU HAVE TO LEAVE THE ROOM.
- THE USE OF OVEN GLOVES IS RECOMMENDED WHEN HANDLING HOT FOOD OR HOT APPLIANCES.
- ALLOW TO COOL (APPROX. 30 MINS) BEFORE CARRYING OR PLACING IN STORAGE.
- IT IS ABSOLUTELY NECESSARY TO KEEP THIS APPLIANCE CLEAN AT ALL TIMES BECAUSE IT COMES INTO DIRECT CONTACT WITH FOOD.
- ANY REPAIRS MUST BE CONDUCTED BY A QUALIFIED ELECTRICIAN OR ELECTRICAL SERVICE AGENT.
- BY IGNORING THE SAFETY INSTRUCTIONS, THE MANUFACTURER CANNOT BE HELD RESPONSIBLE FOR ANY DAMAGE.

### PLUG WIRING (UK & IRELAND)

This appliance is fitted with a BS 1363 13-amp plug. If you must replace the fuse, only those that are ASTA or BSI approved to BS1362 and with a rated current of 7-amperes should be used. If there is a fuse cover fitted, this cover must be re-fitted after changing the fuse. If the fuse cover is lost or damaged the plug must not be used. Spare fuse holders and fuses are available from electrical outlets. If the socket outlets in your home or office is not suitable for this product's plug, the plug must be removed and disposed of safely. Attempts to insert the plug into the wrong socket is likely to cause electric hazard. A replacement plug should be wired according to the following instructions:

#### The cable

A mains electricity cable contains two or three inner wires. Each has a core of copper and an outer layer of flexible plastic. This product is earthed; the wires in the cord set are colour coded in the following way:



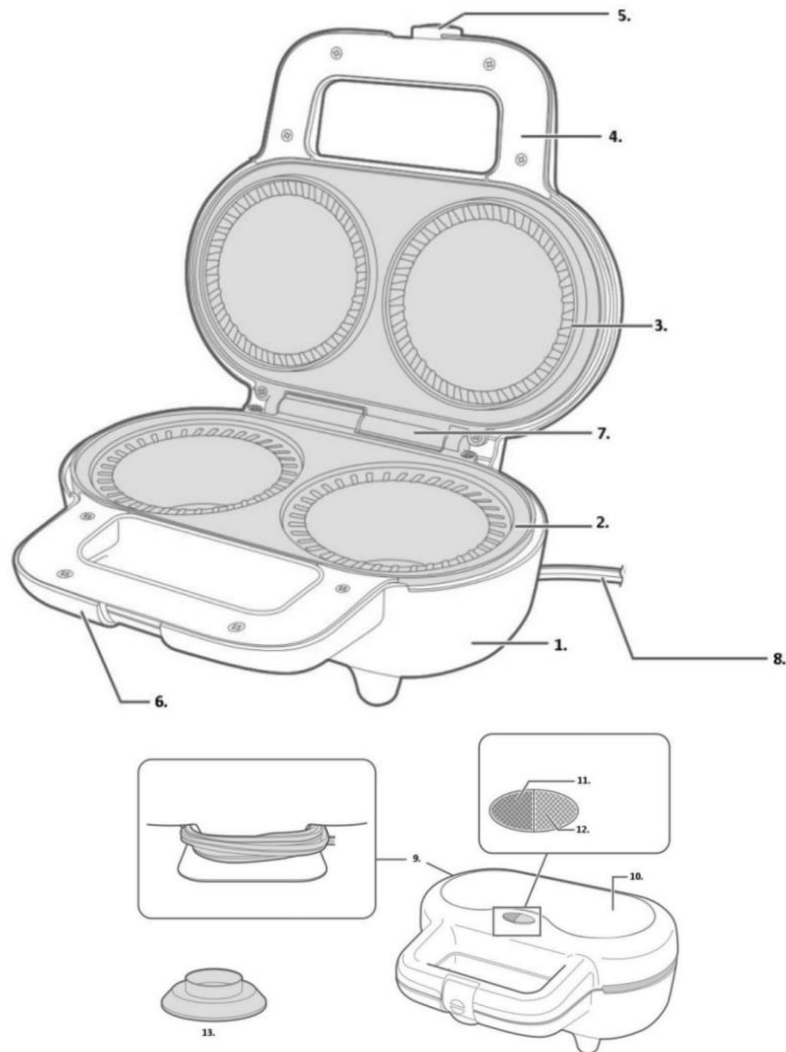
BLUE	NEUTRAL
BROWN	LIVE
GREEN & YELLOW	EARTH

The diagram shows the key features of a correctly wired three-pin mains plug.

## ASSEMBLY INSTRUCTIONS / INSTRUCTIONS FOR USE:

Unpack the components carefully. Please check all parts have been removed from the packaging

### Pie Maker parts



1. Housing	8. Cord with plug set
2. Baking Plate	9. Position of cord winding
3. Baking Plate	10. Stainless steel cover
4. Handle	11. Power indicator light (red)
5. Locking latch	12. Ready indicator light (green)
6. Handle	13. Pastry cutter
7. Rotation shaft	

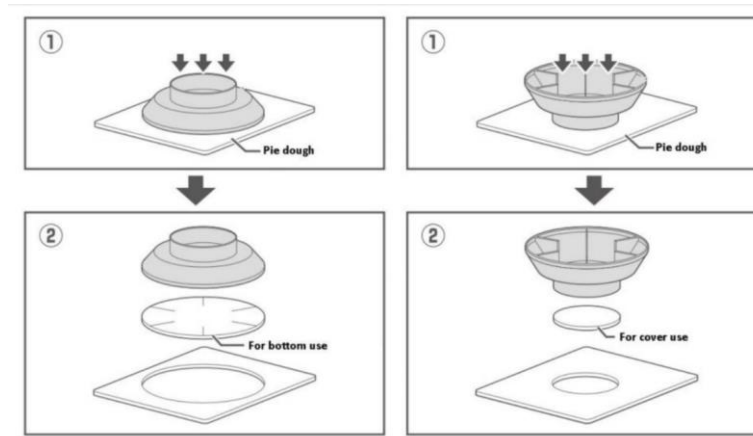
## Before the first use

- Take the appliance and the accessories out of the box. Remove stickers, protective foil or plastic from the device.
- Place the device in a well-ventilated space.
- Place a heat-resistant coating between your table and the appliance to avoid getting burns on your table or tablecloth.
- Wipe the device with a damp cloth. Never wash the device directly with water and never use abrasive products.
- Make sure that the power plug is fully inserted.
- Allow the device to heat up for at least 3 minutes without food.
- When the device is turned on for the first time a slight bad odour will occur. This is normal and temporary. The odour will disappear soon so ensure adequate ventilation.
- Grease the non-stick coating of the baking plate lightly with oil or butter
- During use, the baking plates and the cabinet will become very hot, avoid any contact.
- In approximately 5-10 minutes the green light will illuminate indicating that the appliance is pre-heated and ready for use.
- The green light will switch on and off during the baking process indicating that the correct temperature is being maintained. Always keep the lid closed when preheating or in between uses

## Use

### 1. Prepare puff pastry

Please see the figure below showing how to use the pastry cutter in cutting shapes from pie dough in advance.



Note: Be careful not to cut your hands or fingers when holding down as the opening is sharp.

### 2. Turn on the power

When the power plug is inserted into the socket, the power turns on and the red power lamp lights up, heating starts.

Warning: Do not connect or disconnect the power plug with wet hands.

### 3. Preheating

Preheating is completed in about 5-10 minutes and the green indicator light lights up.

Note: Preheating time may change depending on the season and weather. Keeping the plate closed can reduce preheating time.

### 4. Making pies

Always put the bottom part of the pie dough into the bottom plate of the pie maker holes, then your pie filling ingredients, and finally put the top of the pie dough.



Warning: Be careful of the hot baking plates when placing your dough and ingredients into the pie maker.

## 5. Baking

After placing your pie dough and ingredients into the pie maker, close the device and lock the latch. Estimate baking time is approx. 15-20 minutes. Please follow your recipe booklet instructions for more accurate cooking time.

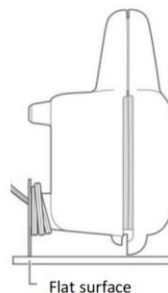
## 6. Finish baking

Disconnect the power plug from socket before taking out your baked pies. Use the required tools, do not touch the baking plates with your hand when removing the pie as it may cause burns.

Warning: Do not connect or disconnect the power plug with wet hands.

## CARE AND CLEANING INSTRUCTIONS:

- Before cleaning, unplug the device and allow to cool down sufficiently. Please allow at least 30 minutes.
- Never immerse the electrical device in water or any other liquid. Risk of electric shock
- Never pour cold water on the hot plates This could damage the device and cause hot water to spill out.
- Do NOT use abrasive cleaners or sharp utensils to clean this appliance.
- Wipe the inside part and the edges of the appliance with a paper towel or a soft cloth.
- Clean the appliance with a damp cloth. Never use harsh and abrasive cleaners, scouring pad or steel wool, which can damage the device.
- Let the device dry totally or wipe off any moisture with a dry soft cloth before storage.
- Wrap the cord around the area as seen in the figure below and store it in an upright position on a dry, flat and safe place




## DISPOSAL

- Coopers of Stortford use recyclable or recycled packaging where possible.
- Please dispose of all packaging, paper, cartons in accordance with your local authority recycling regulations.
- At the end of the product's lifespan please check with your local council authorised household waste recycling centre for disposal.
- Plastics, polybags – this is made from the following recyclable plastic.



Points de collecte sur [www.quefairedesdechets.fr](http://www.quefairedesdechets.fr)  
Privilégiez la réparation ou le don de votre appareil !

Code & Symbol	 OTHER
Type of Plastic	PF
Commonly used for	CD'S, crisp packets, various flexible packaging, baby bottles, sunglass lenses
Notes	Not often or widely recycled

- At the end of the product's lifespan please check with your local council authorised household waste recycling centre for disposal.

**Distributed by / Verteilt durch / Distribué par.**

The Enterprise Department Ltd, Trading as Coopers of Stortford.

**UK address:** 11 Bridge Street, Bishops Stortford

Herts, UK, CM23 2JU

Tel: 0330 331 0300

Customer Services: [enquiries@coopersofstortford.co.uk](mailto:enquiries@coopersofstortford.co.uk)

Web Site: <https://www.coopersofstortford.co.uk>



The Enterprise Department Ltd, Trading as -

**NI address:** D.S.B. LD, 160 Bd. De Fourmies, 59100 Roubaix, France

Tel: +44 (0) 330 331 0300

Customer Services: [enquiries@coopersofstortford.co.uk](mailto:enquiries@coopersofstortford.co.uk)

Web Site: <https://www.coopersofstortford.co.uk>

DE/FR/CZ/SK :

**3Pagen**

Hergestellt für 3Pagen

Sankt-Joeris-Strasse 16-28

53477 Alsdorf

Tel: +49 (0) 2404/980-204

Customer Services: [kontakt@3pagen.de](mailto:kontakt@3pagen.de)

Web Site: [www.3pagen.de](http://www.3pagen.de)